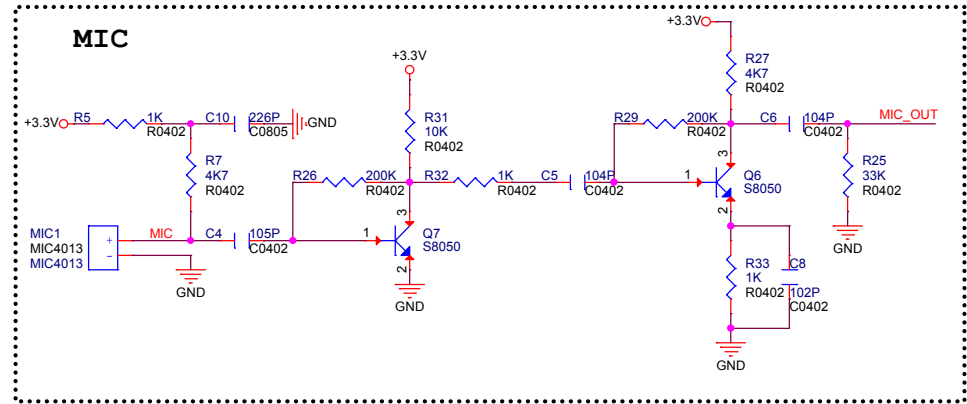
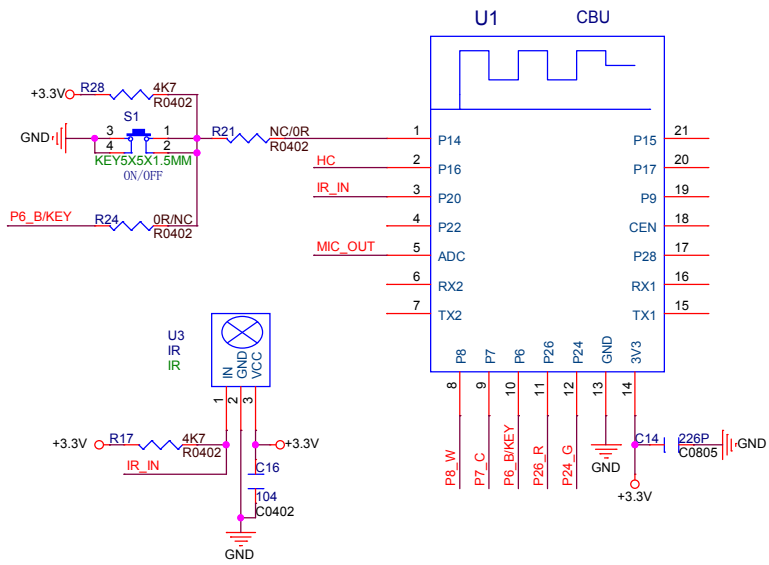


POWER

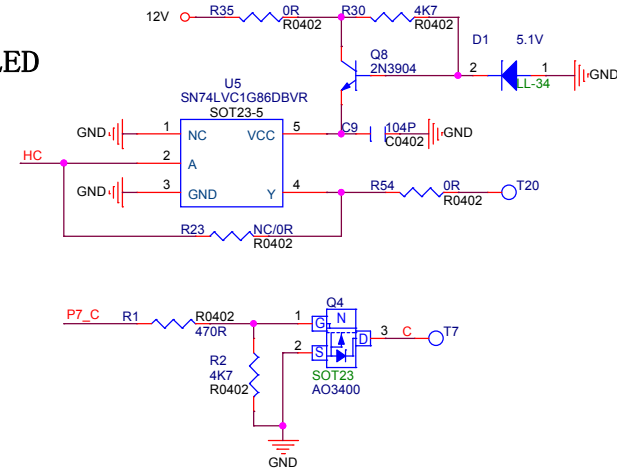


MIC



U1 CBU

LED



Title		<Title>
Size	Document Number	Rev
B	<Doc>	<RevCode>
Date:	Tuesday, May 31, 2022	Sheet 1 of 1

