

6

5

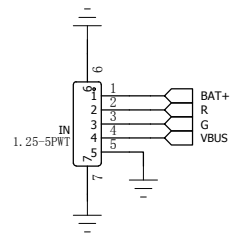
4

3

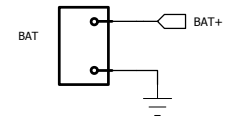
2

1

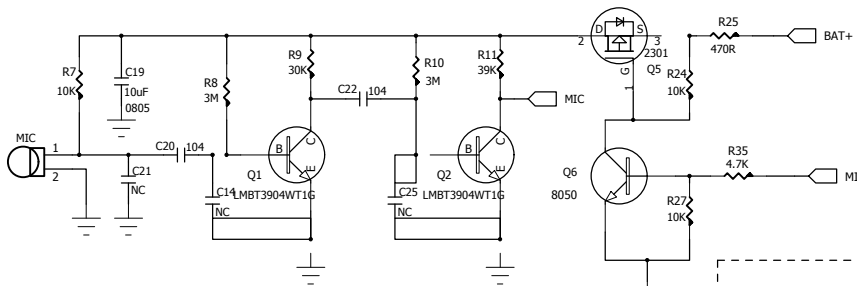
Input



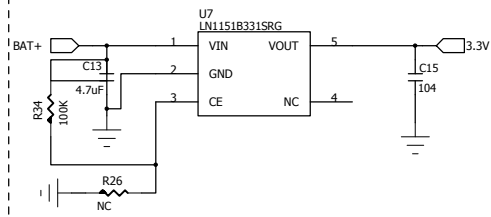
Battery



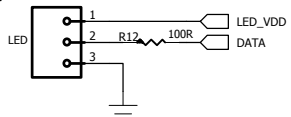
MIC



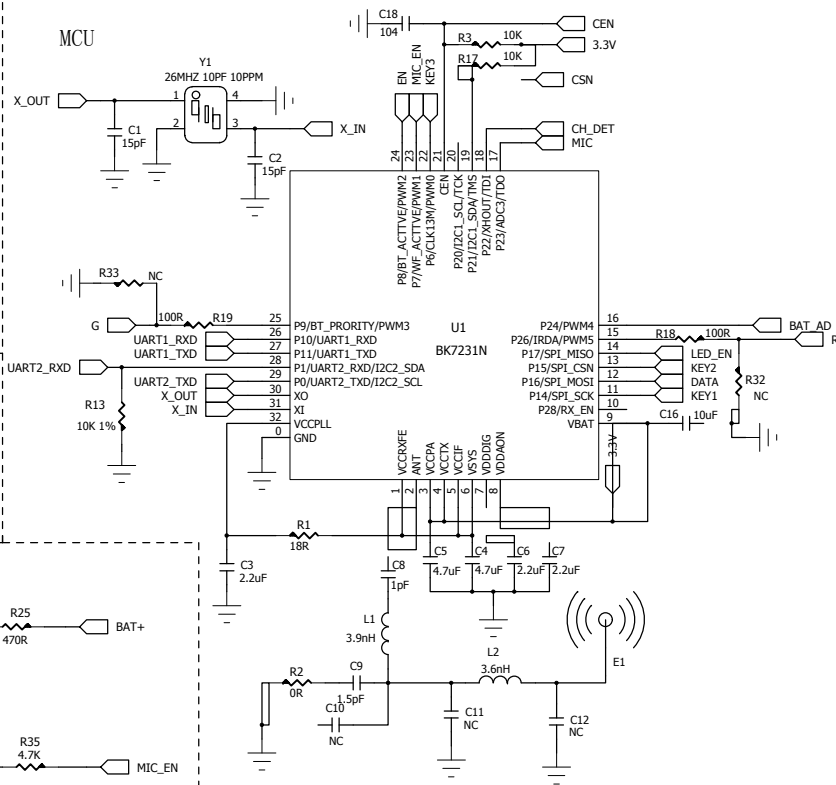
Power



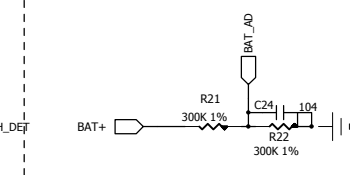
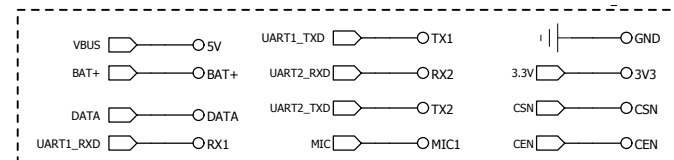
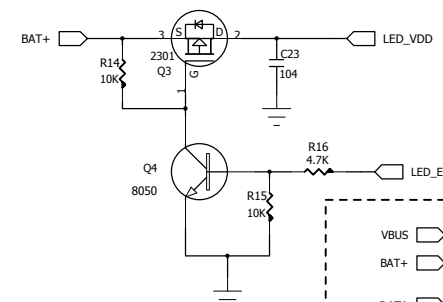
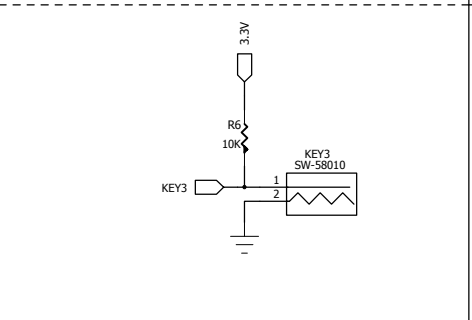
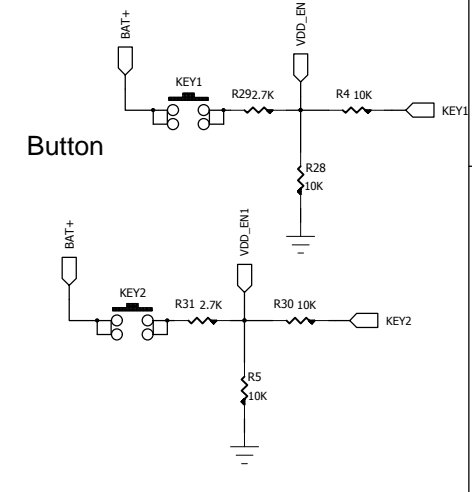
LED Light



MCU



REVISION RECORD			
LTR	ECO NO:	APPROVED:	DATE:



DRAWN:	DATED:
CHECKED:	DATED:
QUALITY CONTROL:	DATED:
RELEASED:	DATED:

COMPANY:			
TITLE:			
CODE:	SIZE:	DRAWING NO:	REV:
SCALE:			SHEET: 1

D

C

B

A

D

C

B

A