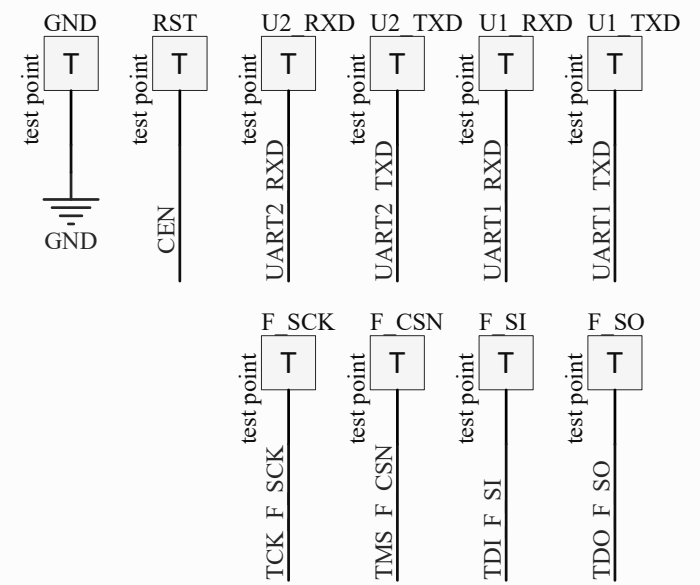
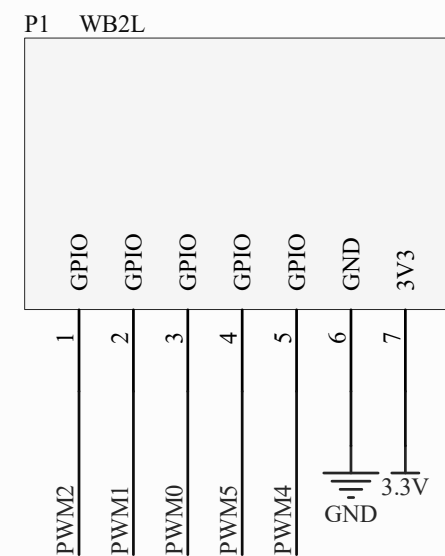
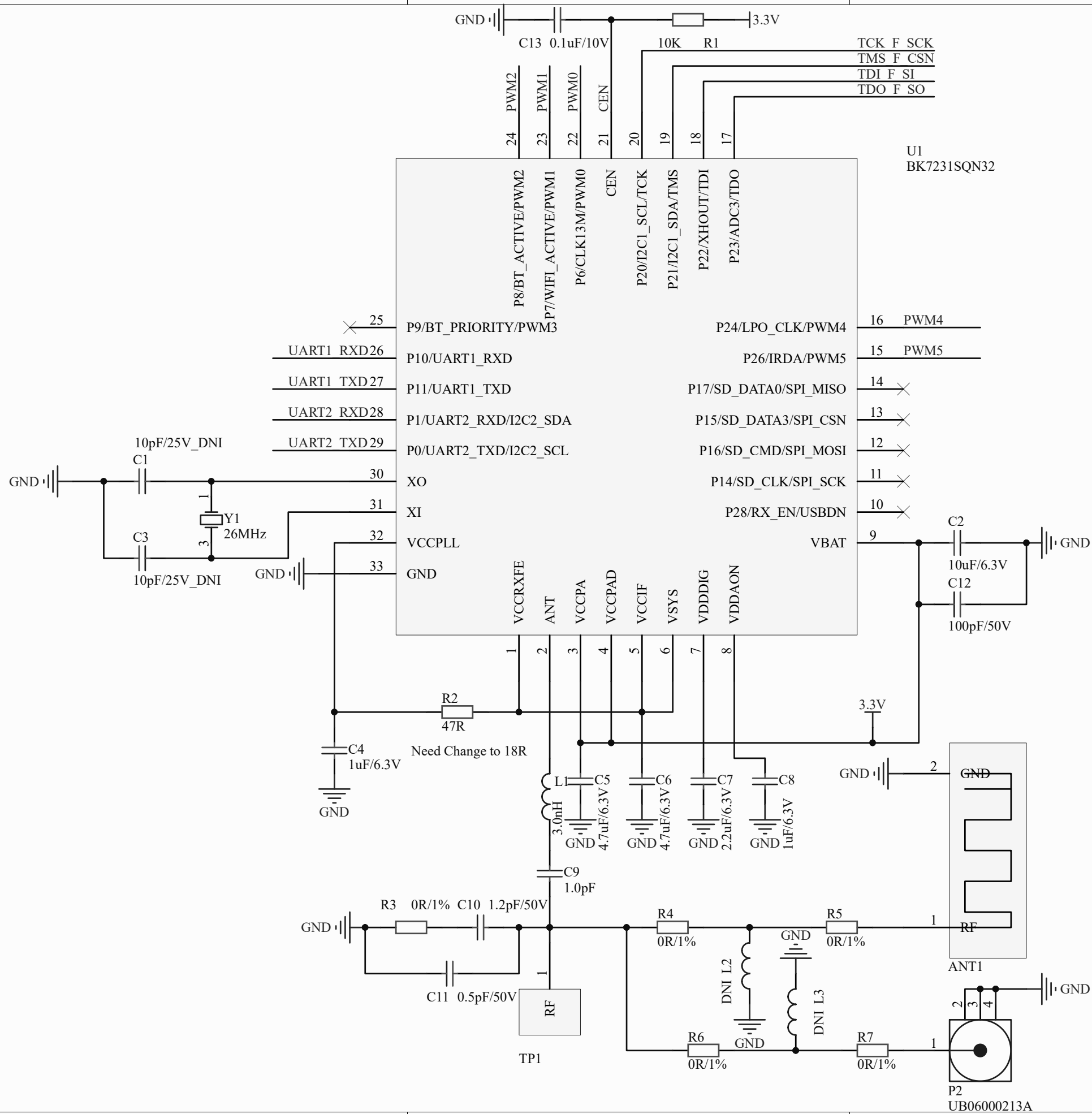


LED-BOARD

Title		
Size	Number	Revision
B		
Date:	2022/8/4	Sheet of
File:	F:\LWM	\\A60_BAW569.sch Drawn By:



Title			WB2L_V1.0.0		
Size	Number		Revision		
A4			V1.0.0		
Date:	2019/9/2		Sheet of		
File:	D:\2019\...\WB2L_V100.SchDoc		Drawn By: Leonard(zhangxiaolei)		Tuya.Inc