

6

5

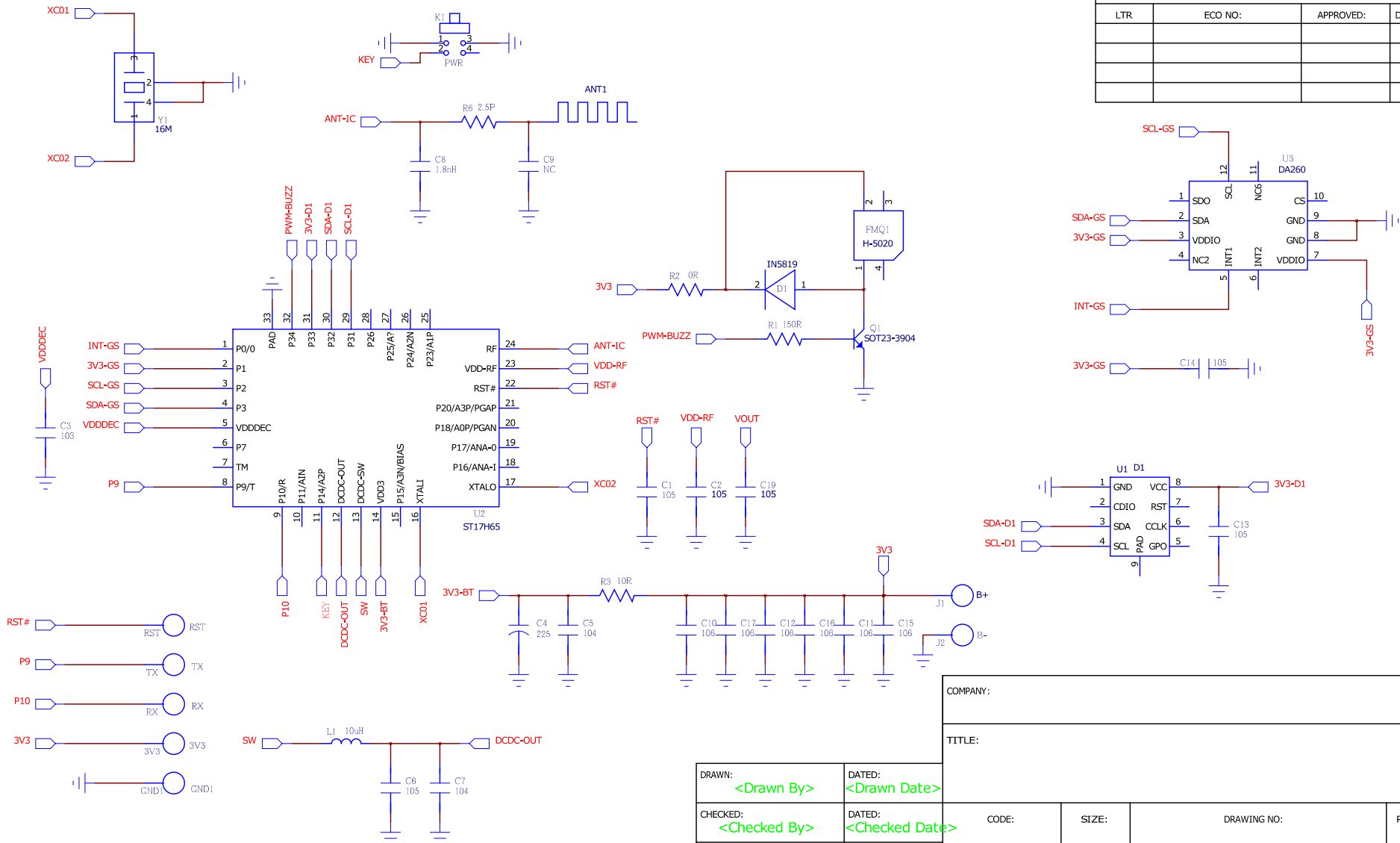
4

3

2

1

REVISION RECORD			
LTR	ECO NO:	APPROVED:	DATE:



COMPANY:			
TITLE:			
DRAWN: <Drawn By>	DATED: <Drawn Date>	CODE: <Code>	SIZE: B
CHECKED: <Checked By>	DATED: <Checked Date>	DRAWING NO:	REV:
QUALITY CONTROL: <QC By>	DATED: <QC Date>	SCALE: <Scale>	
RELEASED: <Released By>	DATED: <Release Date>	SHEET: 1 OF 1	

D

C

B

A

D

C

B

A