

User Manual

THE WAVE WATERSHOW SPEAKERS

sku#03039278

Unboxing Check

Thank you for using our Wave Watershow Bluetooth Speaker. To avoid any damage to yourselves and the product, please read the User Manual carefully before operating the product.

Package list:

1. Wave watershow speakers x2
2. Aux-in cable x1
3. USB power cable x1
4. Connection cable x1
5. Owner' s Manual x1

Notice

1. Please operate this product according to User Manual' s instruction.
2. Avoid exposure or contact with water&moisture.
3. Do not turn the product on and off frequently.

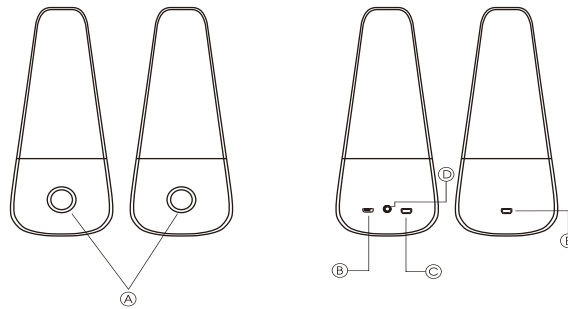
Statement

This product has been examined thoroughly before shipment. It is recommended that the user should operate this product according to the User Manual. We and the distributor will not be responsible for any accidents that are caused by wrongful operations.

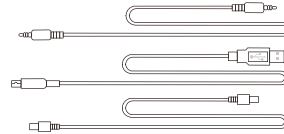
Features

1. Enjoy the water waving to the beat through volume control
2. 5 LED water jets: Red, Blue, Green
3. Compatible with smart phone, Laptops, MP3, MP4?etc.
4. Bluetooth wireless connection
5. AUX 3.5mm inputs and USB cable included
6. Built in rechargeable battery, about 1-2 hours play time

Product Show



- A. Speakers
- B. USB Charge Port
- C. Connection Plug from 2nd Speaker
- D. 3.5mm Source Output Port
- E. Connection Plug to Main Speaker



Operation Instruction

1. Use connection line to connect two speakers.(Connection line connect "To speaker" on main speaker and "Speaker" on another speaker)
2. Move the power switch into the ON/OFF position. (On the bottom of main speaker)
3. When the speakers turn on, the speakers will then beep. This will indicate your speaker is now in pairing mode.
4. Once you have activated Bluetooth on your device, please select the "Spencer's Turn Up" then enjoy your music.

Please make sure you close your smart phone's BT connection properly when you are not playing the music or other people will face unsuccessful connection to the device.

5. Charging the speaker

A.Full charge of the battery takes up to 2 hours (under 1200mAh input).

B.When the battery is low, a warning beep will sound automatically, upon hearing this, please charge your device immediately.

Specification

- 1.Speaker Output Power: 2×3W
2. Power Supply: USB 5V/1A
3. Rechargeable internal battery: 1200mAh

Spencer Gifts

6826 Black Horse Pike

Egg Harbor Twp, NJ 08234 USA Made in China

This device complies with Part 15 of the FCC Rules. Operation is subject to the following two conditions: (1) this device may not cause harmful interference, and (2) this device must accept any interference received, including interference that may cause undesired operation.

Changes or modifications not expressly approved by the party responsible for compliance could void the user's authority to operate the equipment.

NOTE: This equipment has been tested and found to comply with the limits for a Class B digital device, pursuant to Part 15 of the FCC Rules. These limits are designed to provide reasonable protection against harmful interference in a residential installation. This equipment generates, uses instructions, may cause harmful interference to radio communications. However, there is no guarantee that interference will not occur in a particular installation. If this equipment does cause harmful interference to radio or television reception, which can be determined by turning the equipment off and on, the user is encouraged to try to correct the interference by one or more of the following measures:

- Reorient or relocate the receiving antenna.
- Increase the separation between the equipment and receiver.
- Connect the equipment into an outlet on a circuit different from that to which the receiver is connected.
- Consult the dealer or an experienced radio/TV technician for help.