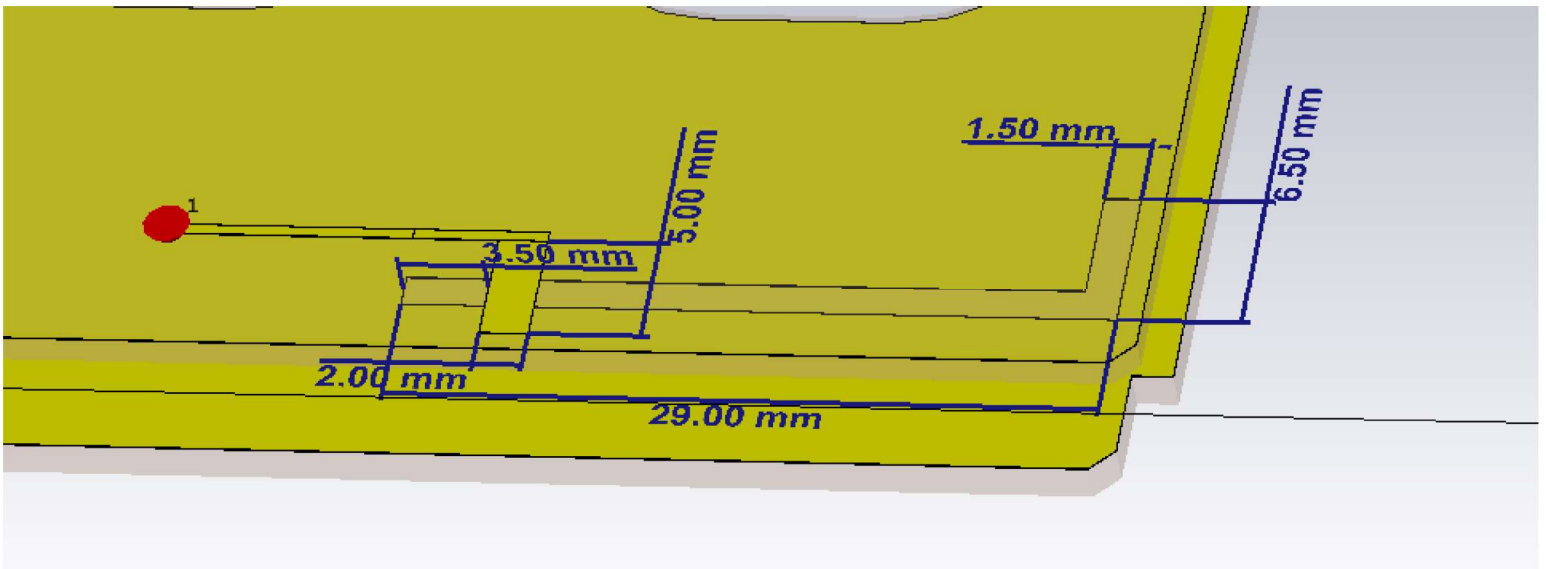


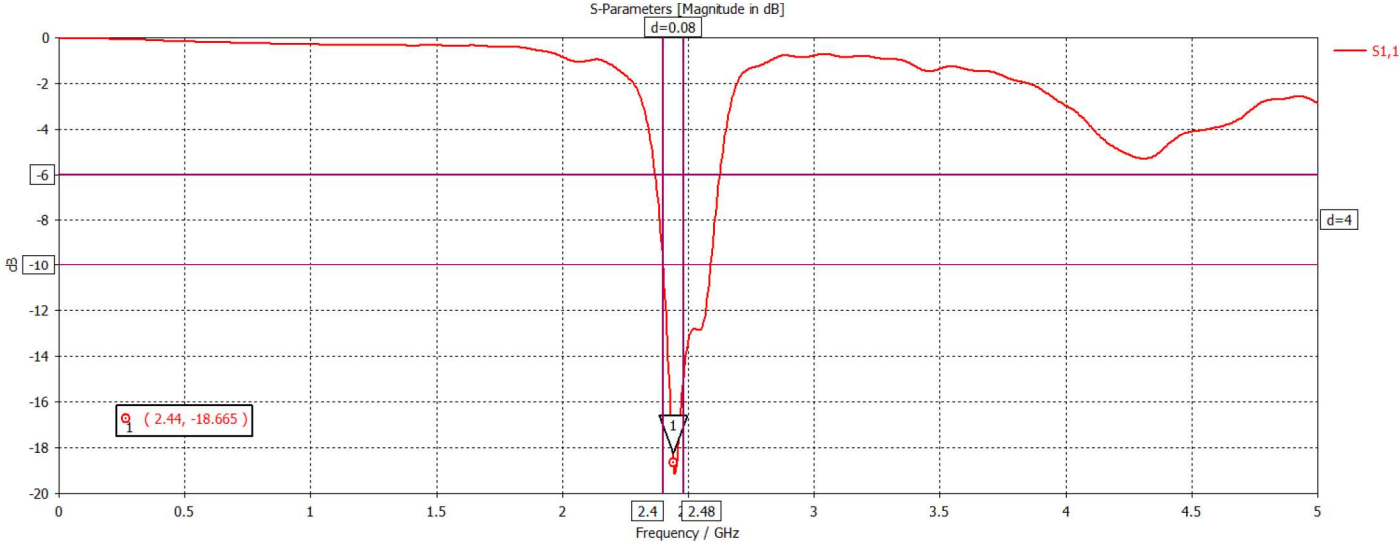
# PowerTag F160 Antenna

21/12/2021

## Antenna Dimensions

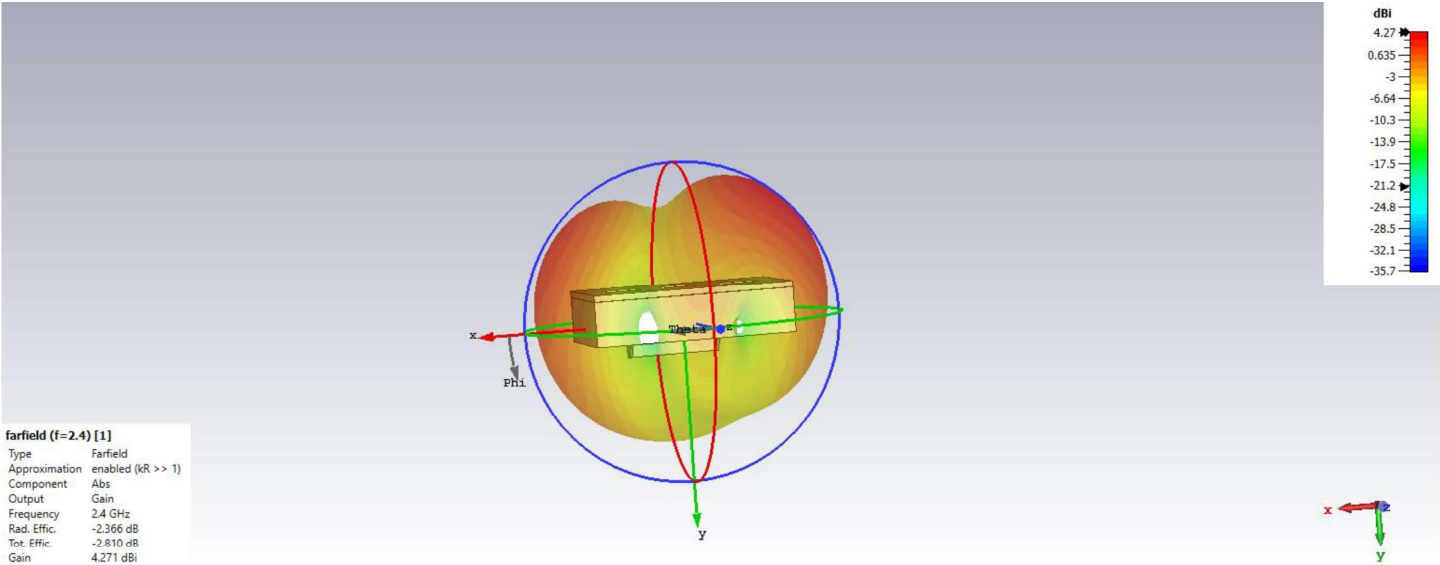


# Reflection coefficient



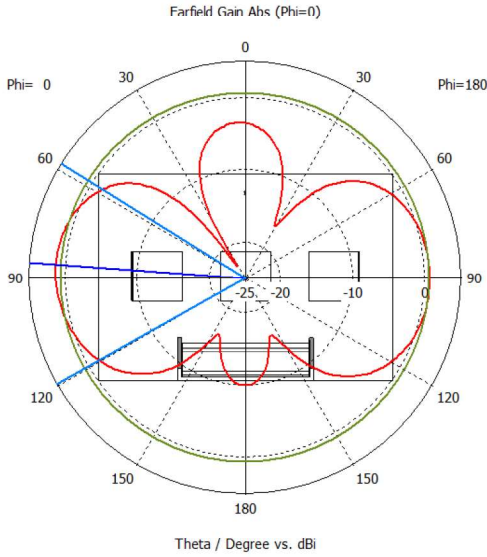
# Radiation pattern

Antenna Gain: 4.4dBi



# Radiation pattern

Antenna Gain: 4.4dBi

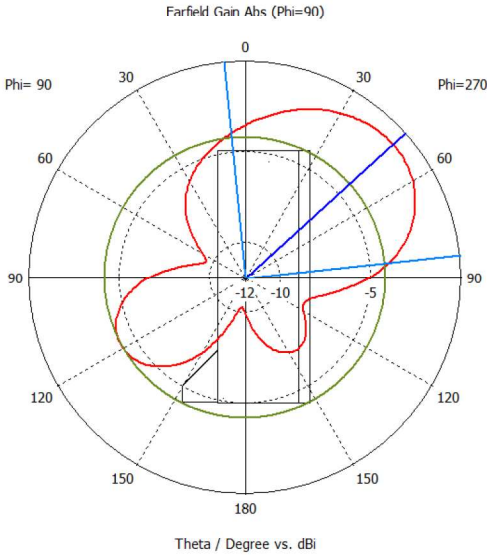


— farfield (f=2.4) [1]

Frequency = 2.4 GHz  
Main lobe magnitude = 1.27 dBi  
Main lobe direction = 86.0 deg.  
Angular width (3 dB) = 61.3 deg.  
Side lobe level = -0.6 dB

# Radiation pattern

Antenna Gain: 4.4dBi



— farfield (f=2.4) [1]

Frequency = 2.4 GHz  
Main lobe magnitude = -0.956 dBi  
Main lobe direction = 48.0 deg.  
Angular width (3 dB) = 89.5 deg.  
Side lobe level = -3.2 dB

Life Is On

