

## LED Surface Mounted Luminaire

### Products model:

TOPA220-LED-IP66-U-X-sensor-EM, TOPA220-LED-IP66-U-X-sensor-EM-W, Note: "X" indicates CCT, between 2700K and 6500K

### SPECIFICATIONS

Operating voltage: 120~277VAC 50/60Hz	Detection range: 20/50/75/100%
Transmission power: <0.2mW	Hold time: 10s/1min/5min/15min/30min/60min.
Microwave frequency: 5.8GHz +/-75MHz	Daylight threshold: 10~50Lux/24H
Working temperature: -15°C~+70°C	Standby period: 1min/30min/60min/24H
Detection angle: 360°	Standby dimming level: 0/10%/20%/30%
	Output: 0-10V

▼ Battery	
Battery pack	LiFePO4 IRF18650 6.4V1500MAH
Max Short temperature	70 °C
Battery type	18650
Ambient temperature ta	0...+60 °C

### FUNCTION AND OPTIONS

If offers 4 levels of the light Control : dimming light(0,10%,20%, 30%)--100%--dimming light (0,10%,20%,30%)--off periods of selectable waiting time:motion holdtime and 24hours, selectable daylight threshold,and freedom of detection ara.

If natral light lower Light-control setting (10Lux,30Lux,50Lux),the light will not automatically on (0,10%,20%,30%). When person enter in the room,the light will on 100%,after person left the room,the room enter in semi bright brightness after hold on time.

Working with battery packs LiFePO4 6.4V 1500MAH

DC constant Current Output at Emergency Mode

Over-Discharge Protection

Additional Relay that can control LED Driver

Our Prouduct complied with UL924 Standaeds.

### Safety instruction

- 1.Electrical works have to be done by technical persons.
- 2.Disconnect the lamp from the power supply and let the lamp cool down before replacing the luminaire.
- 3.Never touch the luminaire when the power is on.
- 4.In case of damages, disconnect the lamp from the power supply. Do not try to repair the lamp on your own. Repair has to be done by technical persons or customer service.

### Installation

1. Drill the fitting holes at the place of installation (wall/ ceiling), make sure, that no cables or other lines are passing in place of drilling.
2. Put the screws in the holes and fix the lamp to the mounting place.
3. Insert the power cable (Type SJTW, 18AWG, min 80°C) connected to the connector, through the bushing in the opening . (By slightly pulling, the position of the washer can be optimised)
4. When Connect the connector, Pay attention to the correct polarity

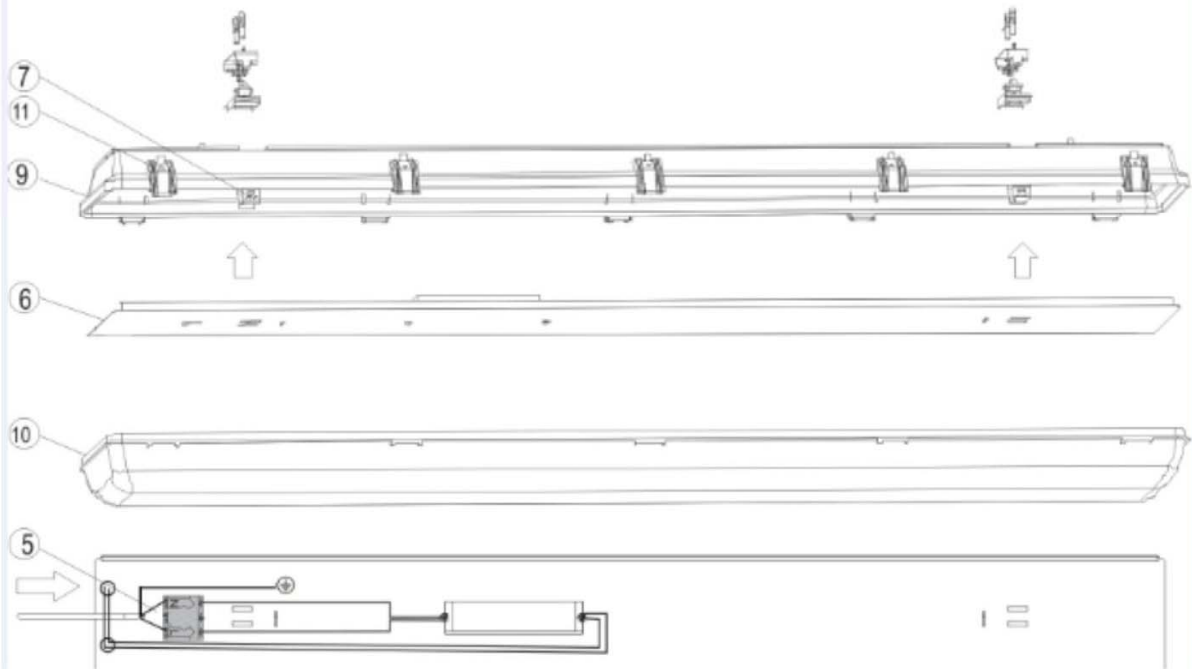
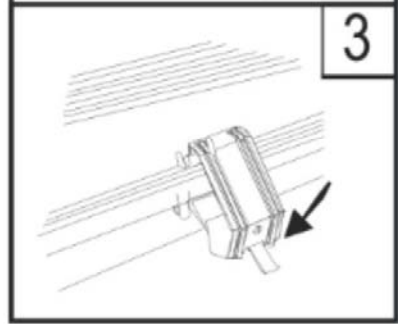
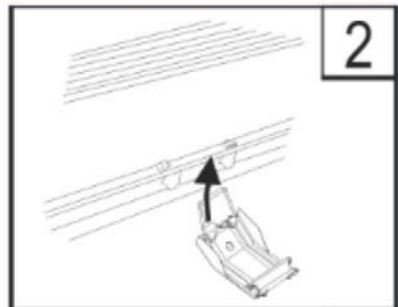
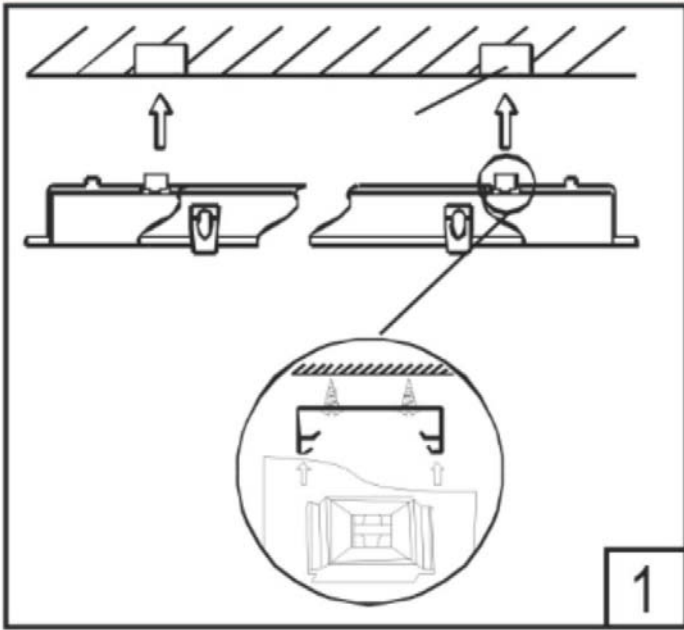


Note: For Canada the power cable is connected to the lamp by manufacture.  
Warning : Ensure the cable is connected well, and cover the outlet box with the canopy, be sure providing watertight seal between canopy and mounting surface by using silicone building sealant or ther similar caulking

5. The reflector should shall be permanently and reliably connected to the earthing terminal through the grouding wire.



6. Adjust the connecting plate (7) and pay attention that the installation cable is not touching the LED driver. The LED driver can become hot while in operation.
7. Assemble the clamps (11) at the designated position (See Fig. 2/ 3)
8. Put on the cover (10) and fix it with the clamps (11). All clamps should be used.



## FCC STATEMENT

1. This device complies with Part 15 of the FCC Rules. Operation is subject to the following two conditions:
  - (1) This device may not cause harmful interference.
  - (2) This device must accept any interference received, including interference that may cause undesired operation.
2. Changes or modifications not expressly approved by the party responsible for compliance could void the user's authority to operate the equipment.

NOTE: This equipment has been tested and found to comply with the limits for a Class B digital device, pursuant to Part 15 of the FCC Rules. These limits are designed to provide reasonable protection against harmful interference in a residential installation.

This equipment generates uses and can radiate radio frequency energy and, if not installed and used in accordance with the instructions, may cause harmful interference to radio communications. However, there is no guarantee that interference will not occur in a particular installation. If this equipment does cause harmful interference to radio or television reception, which can be determined by turning the equipment off and on, the user is encouraged to try to correct the interference by one or more of the following measures:

- Reorient or relocate the receiving antenna.

- Increase the separation between the equipment and receiver.

- Connect the equipment into an outlet on a circuit different from that to which the receiver is connected.

- Consult the dealer or an experienced radio/TV technician for help.