

Quick start

- 1 NFC reader**
Used for sensing Quick Pass Card.
- 2 Magnetic card reader**
Used for reading the information stored in the magnetic stripe of bank card.
- 3 Front-facing camera (optional)**
Supports photographing and 1D/2D code quick scanning.
- 4 Type-C USB**
Used for charging equipment and debugging by developers.
- 5 Function Key**
Used for customized function.
- 6 Power button**
Short press: wake up the screen, lock the screen.
Long press: long press for 2–3 seconds in power off mode to switch on the device.
Long press for 2–3 seconds in normal operation mode to select power off or reboot.
Long press for 11 seconds when system is frozen for automatic reboot.
- 7 Printer**
For printing sales slips in power on mode.
- 8 Indicator lamp**
Used for indicating the steps for swiping card.
- 9 IC Card socket**
Used for inserting the bank chip card.
- 10 Rear camera**
Supports photographing and 1D/2D code quick scanning.
- 11 Extend pins**
To connect to dock.(Need to buy dock separately)
- 12 Slide down the metal buckle and take out the Nano SIM**
- 13 SIM card slot (PSAM optional)**
Used for inserting the SIM Card(PSAM optional)
- 14 P-SAM card slot**
Used for inserting the P-SAM Card.
- 15 Micro SD card slot**
Used for inserting extend SD card.
- 16 Nano SIM card slot**
Used for inserting Nano SIM card.

Printing instructions

This device supports 58mm thermal paper with the specifications of 57±0.5mm*Ø40mm.

- 1** Please open the paper container with the uncovering handl , Please do not force open the paper container to avoid print head gear wear;
- 2** Feed the paper correctly into the paper container in the direction as shown, and pull some paper outside the cutter;
- 3** Close the cover of the paper container to finish printing paper feeding .

Note: If the printed paper is blank, please check whether the paper roll has been installed in the correct direction.

Notices

Safety Warning

Connect the AC plug to the AC socket corresponding to the marked input of the power adapter;

To avoid injury, unauthorized persons shall not open the power adapter;

This is a Class A product. This product may cause radio interference in living environments.

In that case, the user may be required to take adequate measures against interference.

Battery replacement:

1.Explosion danger may arise if replacing with the wrong battery!

2.The replaced battery shall be disposed of by maintenance personnel, and please do not throw it into fire!

Significant Safety Instructions

Do not install or use the device during lightning storms to avoid the potential risks of lightning shock;

Please turn off the power immediately if you notice abnormal odor, heat or smoke;

The paper cutter is sharp, please do not touch!

Suggestions

· Do not use the terminal near water or moisture to prevent liquid from falling into the terminal;

Do not use the terminal in extremely cold or hot environments, such as near flames or lit cigarettes;

Do not drop, throw or bend the device;

Use the terminal in a clean and dust-free environment if possible to prevent small items from falling into the terminal;

Please do not use the terminal near medical equipment without permission.

Statements

The Company does not assume responsibilities for the following actions:

Damages caused by use and maintenance without complying with the conditions specified in this guide;

The Company will not assume any responsibilities for the damages or problems caused by optional items or consumables (rather than the initial products or approved products of the Company). The customer is not entitled to change or modify the product without our consent.

The product's operating system supports official system updates, but if you change the operating system into a third party ROM system or alter the system files by system cracking, it may cause system instability and security risks and threats.

Disclaimer

As a result of product upgrading, some details in this document may not match the product, and the actual product shall govern. The Company reserves the right of interpretation of this document. The Company also reserves the right to alter this specification without prior notice.

Table for Names and Content Identification of Toxic and Hazardous Substances in this Product

Part Name	Toxic or Hazardous Substances and Elements					
	Pb	Hg	Cd	Cr(VI)	PBB	PBDE
Circuit Board Component	X	o	o	o	o	o
Structural Component	o	o	o	o	o	o
Packaging Component	o	o	o	o	o	o

O : indicates that the content of the toxic and hazardous substance in all homogeneous materials of the component is below the limit specified in SJ/T 11363-2006.

X : indicates that the content of the toxic and hazardous substance in at least one homogeneous material of the component exceeds the limit stipulated in SJ/T 11363-2006. However, as for the reason, because there is no mature and replaceable technology in the industry at present.

The products that have reached or exceeded environmental protection service life should be recycled and reused according to the Regulations on Control and Management of Electronic Information Products, and should not be discarded randomly.

This device complies with Part 15 of the FCC Rules. Operation is subject to the following two conditions:

- (1) This device may not cause harmful interference.
- (2) This device must accept any interference received, including interference that may cause undesired operation.

FCC ID: 2AH25T6900

NOTE: Changes or modifications not expressly approved by the party responsible for compliance could void the user's authority to operate the equipment.

NOTE: This equipment has been tested and found to comply with the limits for a Class B digital device, pursuant to Part 15 of the FCC Rules.

These limits are designed to provide reasonable protection against harmful interference in a residential installation. This equipment generates uses and can radiate radio frequency energy and, if not installed and used in accordance with the instructions, may cause harmful interference to radio communications. However, there is no guarantee that interference will not occur in a particular installation.

If this equipment does cause harmful interference to radio or television reception, which can be determined by turning the equipment off and on, the user is encouraged to try to correct the interference by one or more of the following measures:

---Reorient or relocate the receiving antenna.

---Increase the separation between the equipment and receiver.

---Connect the equipment into an outlet on a circuit different from that to which the receiver is connected.

---Consult the dealer or an experienced radio/TV technician for help.

Body-worn Operation

This device was tested for typical body-worn operations. To comply With RF exposure requirements, a minimum separation distance of 5mm must be maintained between the user's body and the handset, including the antenna.

Third-party belt-clips, holsters, and similar including the antenna.

Third-party belt-clips, holsters, and similar accessories used by this device should not contain any metallic components. Body-worn accessories that do not meet these requirements may not comply with RF exposure.

This smart POS system meets the government's requirements for exposure to radio waves.

The guidelines are based on standards that were developed by independent scientific organizations through periodic and thorough evaluation of scientific studies. The standards include a substantial safety margin designed to assure the safety of all persons regardless of age or health.

FCC RF Exposure Information and Statement. The SAR limit of USA (FCC) is 1.6W/kg averaged over one gram of tissue.

Device types: T6900 has also been tested against this SAR limit.

The highest SAR value reported under this standard during product certification when properly worn on the body is 2.586W/kg (10gSAR, test distance: 0mm, limit 4W/kg) and 1.262W/kg (1gSAR, test distance: 5mm, limit 1.6W/kg). This device was tested for body-worn operations with the back of the handset kept 0mm and 5mm from the body. To maintain compliance with FCC RF exposure requirements, use accessories that maintain a 0mm and 5mm separation distance between the user's body and the back of the handset. The use of belt clips, holsters and similar accessories should not contain metallic components in its assembly. The use of accessories that do not satisfy these requirements may not comply with FCC RF exposure requirements, and should be avoided.

Technical features and characteristic

	Operation Frequency	Transmitted
GSM 850	824-849 MHz	32.5 dBm
GSM 1900	1850-1910 MHz	29.5 dBm
WCDMA BAND II	1850-1910 MHz	23 dBm
WCDMA BAND IV	1710-1755 MHz	23 dBm
WCDMA BAND V	824-849 MHz	23 dBm
LTE BAND 2	1850-1910 MHz	22.5 dBm
LTE BAND 4	1710-1755 MHz	22 dBm
LTE BAND 5	824-849 MHz	23 dBm
LTE BAND 7	2500-2570 MHz	23 dBm
LTE BAND 17	704-716 MHz	23 dBm
LTE BAND 41	2496-2690 MHz	23 dBm
WIFI	2412-2462 MHz	13 dBm
BT	2402-2480 MHz	5.5 dBm
BLE	2402-2480 MHz	4 dBm
5G WIFI	5150MHz-5825MHz	19 dBm
NFC	13.56 MHz	

Manufacture

Shanghai Sunmi Technology Co., Ltd.
Room 505 No.388 Song Hu Road Shanghai, China

■ PANTONE 165C ■ PANTONE Orange 021C

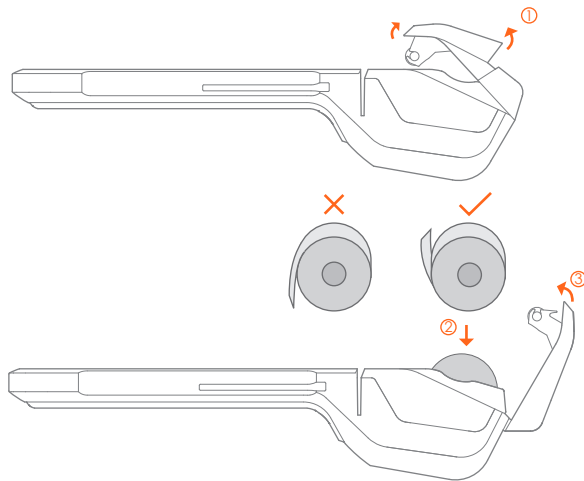
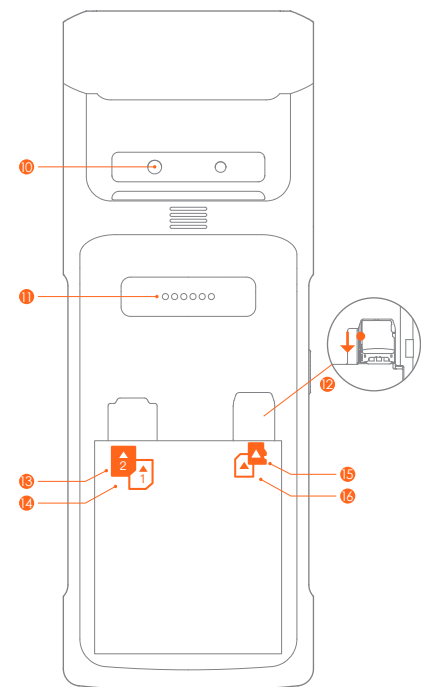
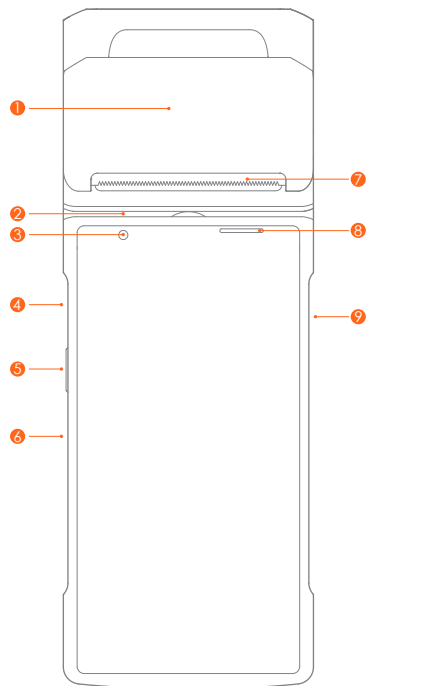
制作工艺说明

成品尺寸：80mm × 220mm

展开尺寸：400mm × 220mm

工艺：黑色印刷+2专，五折页

材质：108g 雅粉纸



快速入门指南

- 1 **NFC 读卡器**
用于感应闪付卡。
- 2 **磁卡读卡器**
用于刷银行卡磁条信息。
- 3 **前置摄像头(可选)**
支持拍照及1D/2D快速扫码。
- 4 **Type-C 接口**
可用于给设备充电和开发者调试使用。
- 5 **功能定义键**
快捷进入相应功能。
- 6 **电源键**
短按：点亮屏幕，锁定屏幕。
长按：关机状态下，长按 2-3 秒开机；
使用状态下，长按 2-3 秒，可选择关机或重启；
死机状态下，长按 11 秒，自动重启。
- 7 **打印机**
用于开机状态下打印单据。
- 8 **指示灯**
用于提示刷卡业务步骤。
- 9 **IC卡读卡器**
用于插入银行芯片卡。
- 10 **后置摄像头**
支持拍照及1D/2D快速扫码。
- 11 **扩展接口**
用于链接底座。(此配件需要额外购买)
- 12 **向下滑动金属扣，取出Nano SIM**
- 13 **P-SAM卡槽 (SIM卡可选)**
用于插入PSAM卡 (SIM卡可选)。
- 14 **P-SAM卡槽**
用于插入PSAM卡。
- 15 **Micro SD卡槽**
扩展SD卡接口。
- 16 **Nano SIM卡槽**
打开电池盖，取出电池，按图示方向插入SIM卡。
(SIM卡支持移动:2G/3G/4G、联通:2G/3G/4G、电信:3G/4G)

打印说明

- 本机支持 58mm 热敏打印纸，规格为 57±0.5mm×Q40mm
- 请通过开盖提手开启打印纸仓(图示①)，勿强行打开纸仓，防止打印头齿轮磨损；
 - 按照图示方向，将打印纸正确放入纸仓，并拉出部分纸至切刀外(图示②)；
 - 盖好纸仓盖，打印纸安装完成(图示③)。

注意：如果打印内容空白，请检查纸卷方向是否放反。

系统预置软件列表

- 应用市场 · 推送服务 · 用户反馈 · 数据服务 · 启动器 · 硬件管家
- 功能键自定义 · BaseService · 定制服务(壁纸、开机动画)
- 开发者指南(调试小助手) · 使用指南 · 开机指导 · 远程协助 · OTA

以上软件详细信息查询方法：选择“设置->应用”，选择相应软件名称进行查看信息；

软件卸载方法：选择“设置->应用->管理应用->卸载”卸载应用；
或长按图标，拖曳到垃圾桶卸载。

注意事项

安全警告

- 请将交流电插头插入与配件电源适配器上标识输入相对应的交流电插座中；
- 此为A级产品。在生活环境中，该产品可能会造成无线电干扰。在这种情况下，可能需要用户对于干扰采取切实可行的措施。
- 关于电池的更换：
 - ① 用错误型号电池更换会有爆炸危险！
 - ② 更换后的旧电池应交维修人员处置，切勿把它投入火中！

重要安全说明

- 避免在雷电期间安装或使用，否则有被雷电电击的危险；
- 当您发现有异常气味，过热或烟雾情形下，请立刻切断电源；
- 撕纸刀较锋利，请勿触碰！

建议

- 不要在极端冷、热环境中使用，例如靠近火源或点燃的香烟；
- 不要摔、投掷或弯折；
- 尽量在清洁无尘环境中使用，避免细小物品落入终端中；
- 在未获允许的情况下，不要在医疗设备附近使用。

声明

- 本公司不对以下行为负责
- 不在本指南说明的条件下使用和维护所造成的损坏；
 - 对于因选件或耗材(非本公司提供之最初产品或认可产品)造成的损坏或问题；(未经本公司同意，无权进行产品修改或变动)
 - 本产品的操作系统支持官方的系统更新，如果用户刷了第三方的ROM系统或者采用破解方式修改了系统文件，可能会导致系统不稳定，以及带来安全风险和安全威胁。

免责声明

由于产品的更新，此文档的某些细节可能与产品不符，请以实物为准，此文档的解释权归本公司。保留不预先通知的情况下，修改本说明书的权利。

本产品有毒有害物质名称及含量标识表

部件名称	有毒有害物质或元素					
	铅 (Pb)	汞 (Hg)	镉 (Cd)	六价铬 (Cr(VI))	多溴联苯 (PBB)	多溴二苯醚 (PBDE)
电路板组件	X	○	○	○	○	○
结构件	○	○	○	○	○	○
包装件	○	○	○	○	○	○

○：表示该有毒有害物质在该部件所有均质材料中的含量均在 SJ/T11363-2006规定的限量要求以下。

X：表示该有毒有害物质至少在该部件的某一均质材料中的含量超出 SJ/T11363-2006规定的限量要求；但是上表中打“x”的部件，其含量超出是因为目前业界还没有成熟的可替代的技术。

对达到或超出环保使用年限的产品，应依据《电子信息产品控制管理办法》规定进行回收再利用，不应随意丢弃。

产品保修卡

产品名称：_____

产品型号：_____

产品编号：_____

购买日期：_____

保修期限：自购买之日起，我公司提供 _____ 天保修服务。

以下情况恕不提供免费保修：

- 未经允许擅自拆卸修理的产品。
- 产品条码、易碎贴破损及保修卡涂改、残缺的。
- 未按照说明书的要求操作设备所引起的故障。
- 因进水或跌落而造成的故障、划伤或破损的人为损坏。
- 因不可抗拒因素造成的故障或损坏。
- 保修期限内外。

联系方式：

· 公司地址：_____

· 联系电话：_____

产品合格证



制造商：上海商米科技集团股份有限公司
地 址：上海市杨浦区淞沪路388号创智天地7号楼605室

