

**SUNMI** V2s PLUS Wireless data POS System

Name: Wireless data POS System

Model: T5F01

Input: 9V $\overline{\text{---}}$ 2A

Shanghai Sunmi Technology Co., Ltd.

Made in China

FCC ID: 2AH25T5F01

IC : 22621-T5F01



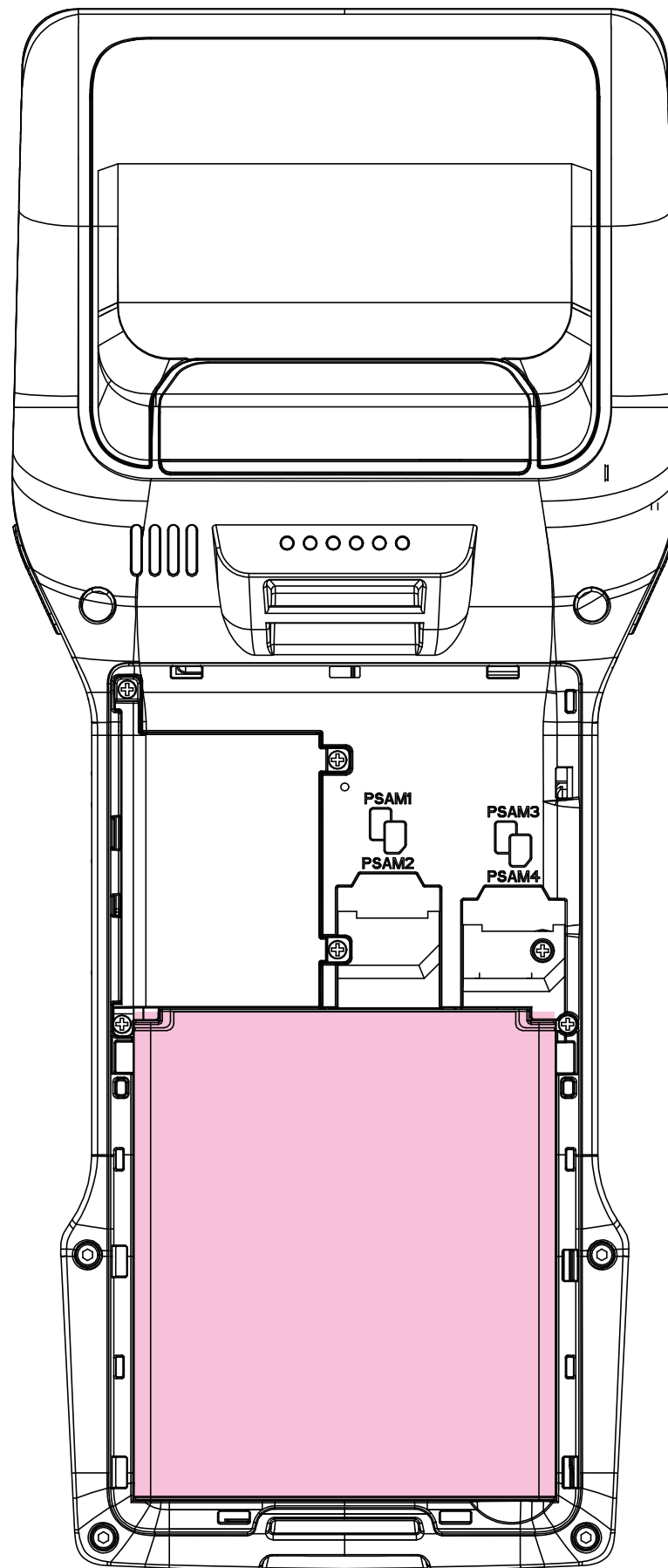
IMEI1:1234567890123



IMEI2:1234567890123



SN:1234567890123



Label location

Remark: It's hard to put FCC statement on the product due to device's irregular appearance.  
FCC statement will be placed in the user manual which the device is marketed.