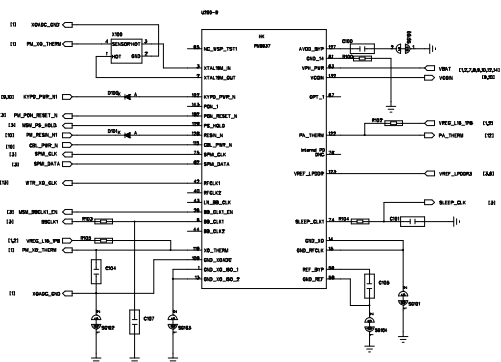
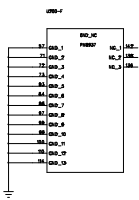
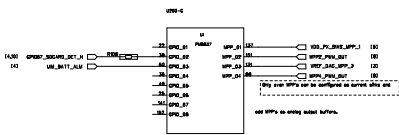


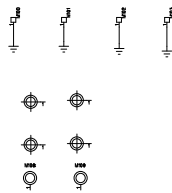
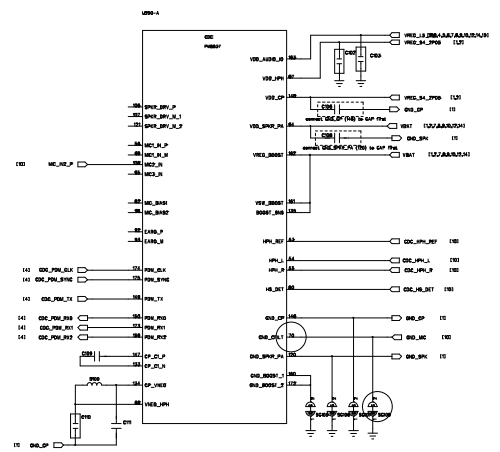
PM8937 Control



PM8937 MPPS

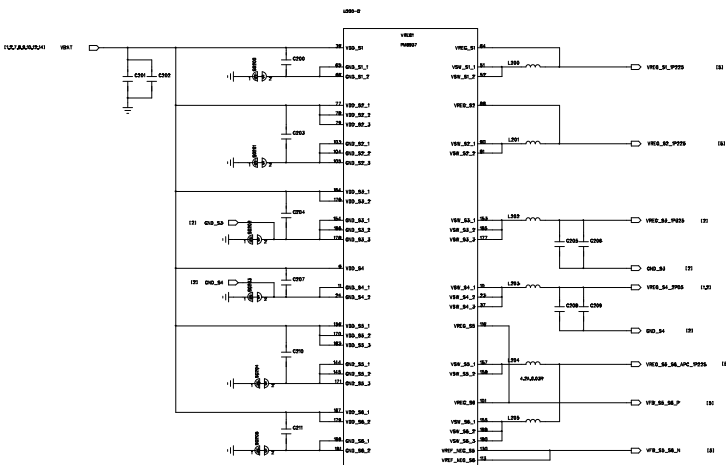


PM8937 AUDIO

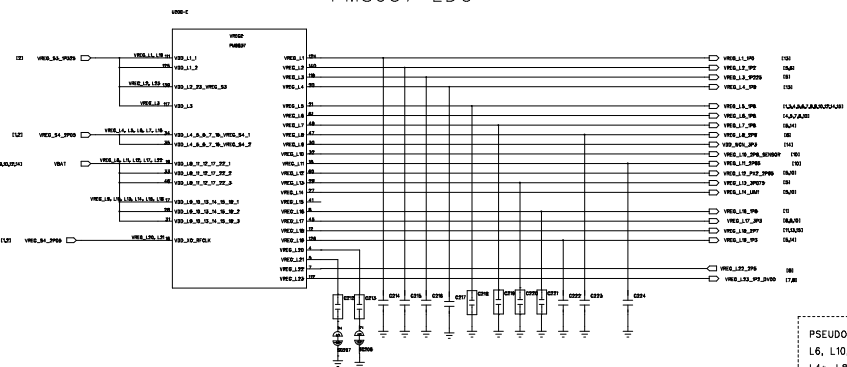


MODEL	SLB741	VER.	
TITLE	PM8937		
DRAWN		DATED	
CHECKED		SHEET	

PM8937 BUCK



PM8937 LDO

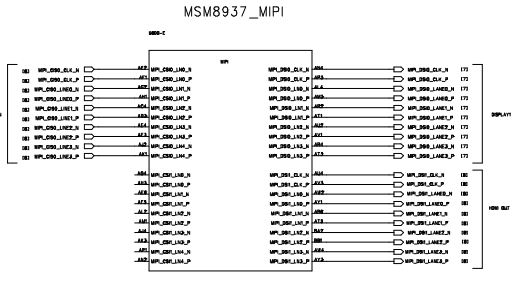
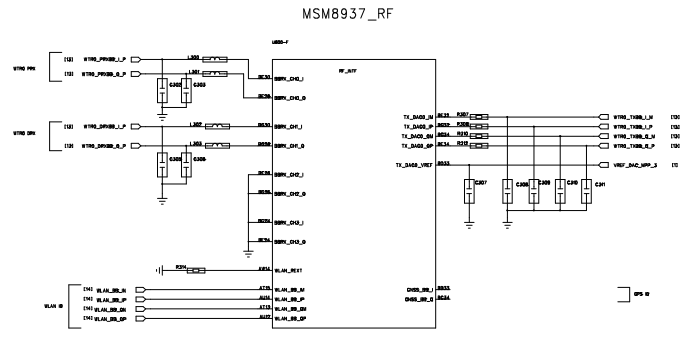
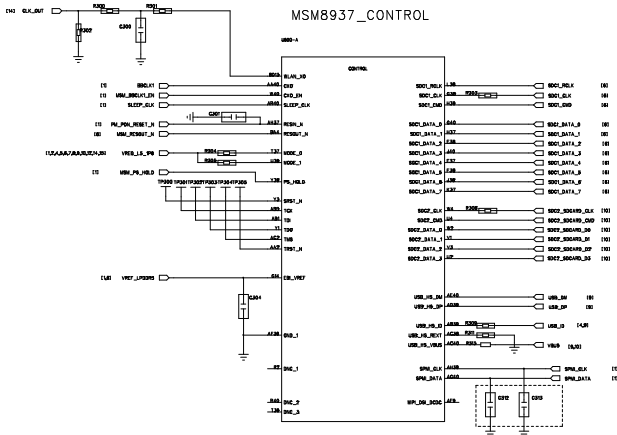


Output Power Management

Function	Circuit type	Default Voltage	Specified range	Programmable range	Rated current	Default on	Expected use
S1	ULT-SMPS	1.225V	0.800-1.350V	0.375-1.5825V	3000mA	N	MSM modem
S2	ULT-SMPS	1.225V	0.550-1.350V	0.375-1.5825V	3000mA	Y	MSM core and graphics
S3	HF-SMPS	1.288V	1.200-1.4125V	0.375-1.5825V	2700mA	Y	Low-voltage LDOs(L2,3,18, and 23)
S4	ULT-SMPS	2.050V	1.800-2.050V	1.593-1.92V	2500mA	Y	High-voltage LDO(L4,6,7,16,21,CLK, and X0)
S5	FT-SMPS	1.225V	1.050-1.350V	0.350-1.355V	3000mA	Y	MSM applications processor
S6	FT-SMPS	1.225V	1.050-1.350V	0.350-1.355V	3000mA	N	MSM applications processor
L1	NMOS LDO	1.000V	1.000V	0.375-1.5375V	1200mA	N	RFICs
L2	NMOS LDO	1.200V	1.200V	0.375-1.5375V	1200mA	Y	LPDDR2/LPDDR3, MIP, CS, and DS
L3	NMOS LDO	1.225V	0.750-1.350V	0.375-1.5375V	1200mA	Y	VDDMX
L4	PMOS LDO	1.800V	1.800V	1.750-3.3375V	450mA	N	RFICs and GPS eTNA
L5	PMOS LDO	1.800V	1.800V	1.750-3.3375V	500mA	Y	Most digital I/Os, MSM pad groups 3 and 7, LPDDR, and eMMC
L6	PMOS LDO	1.800V	1.800V	1.750-3.3375V	300mA	N	MSM DS1 PLL, and OTP, camera, touchscreen, display, and sensors
L7	PMOS LDO	1.800V	1.800V	1.750-3.3375V	150mA	Y	MSM analog and PLLs, WCN X0, and PW baseband clock driver
L8	PMOS LDO	2.800V	2.800V	1.750-3.3375V	600mA	Y	eMMC
L9	PMOS LDO	V _{out} =1.3V for VBAT>3.575V ; V _{out} =1.3V for VBAT<3.575V	3.000V-3.300V	1.750-3.3375V	600mA	N	WCN
L10	PMOS LDO	2.800V	2.800V	1.750-3.3375V	150mA	N	Sensors
L11	PMOS LDO	2.850V	2.850V	1.750-3.3375V	800mA	Y	Micro SD
L12	PMOS LDO	2.950V	1.800/2.950V	1.750-3.3375V	150mA	Y	MSM pad group 2 and SDC2
L13	PMOS LDO	3.075V	3.075V	1.750-3.3375V	50mA	Y	MSM USB and audio
L14	PMOS LDO	1.800V	1.800/2.925/3.050V	1.750-3.3375V	50mA	N	MSM pad group 8 dual-voltage I2M, and NFC
L15	PMOS LDO	1.800V	1.800/2.925/3.050V	1.750-3.3375V	50mA	N	MSM pad group 5 and dual-voltage UMS2
L16	PMOS LDO	1.800V	1.800V	1.750-3.3375V	5mA	N	PMIC HKADC
L17	PMOS LDO	2.850V	2.850V	1.750-3.3375V	600mA	N	Camera, display, and touchscreen
L18	PMOS LDO	2.700V	2.700V	1.750-3.3375V	150mA	N	QTI RF front-end
L19	NMOS LDO	1.350V	1.350V	0.375-1.5735V	1200mA	N	MSM analog, WCN, and WGR
L20	Low-noise LDO	1.74V	1.74V	1.74-3.3375V	5mA	Y	PMIC XO circuits
L21	Low-noise LDO	1.74V	1.74V	1.74-3.3375V	5mA	Y	PMIC RF clock buffers
L22	PMOS LDO	2.800V	2.800V	1.750-3.3375V	300mA	N	Camera-analog
L23	NMOS LDO	1.3V	1.3V	0.375-1.5375V	300mA	N	Camera-digital
VREF		0.6125V				Y	LPDDR reference
MPP1		1.250V				Y	MSM pad bias
VREG_X0	Low noise LDO	1.8V	1.382, 2.2V	1.8V	5mA		XO oscillator circuits
VREG_RF_CLK	Low noise LDO	1.8V	1.382, 2.2V	1.8V	5mA		Low noise clock buffers

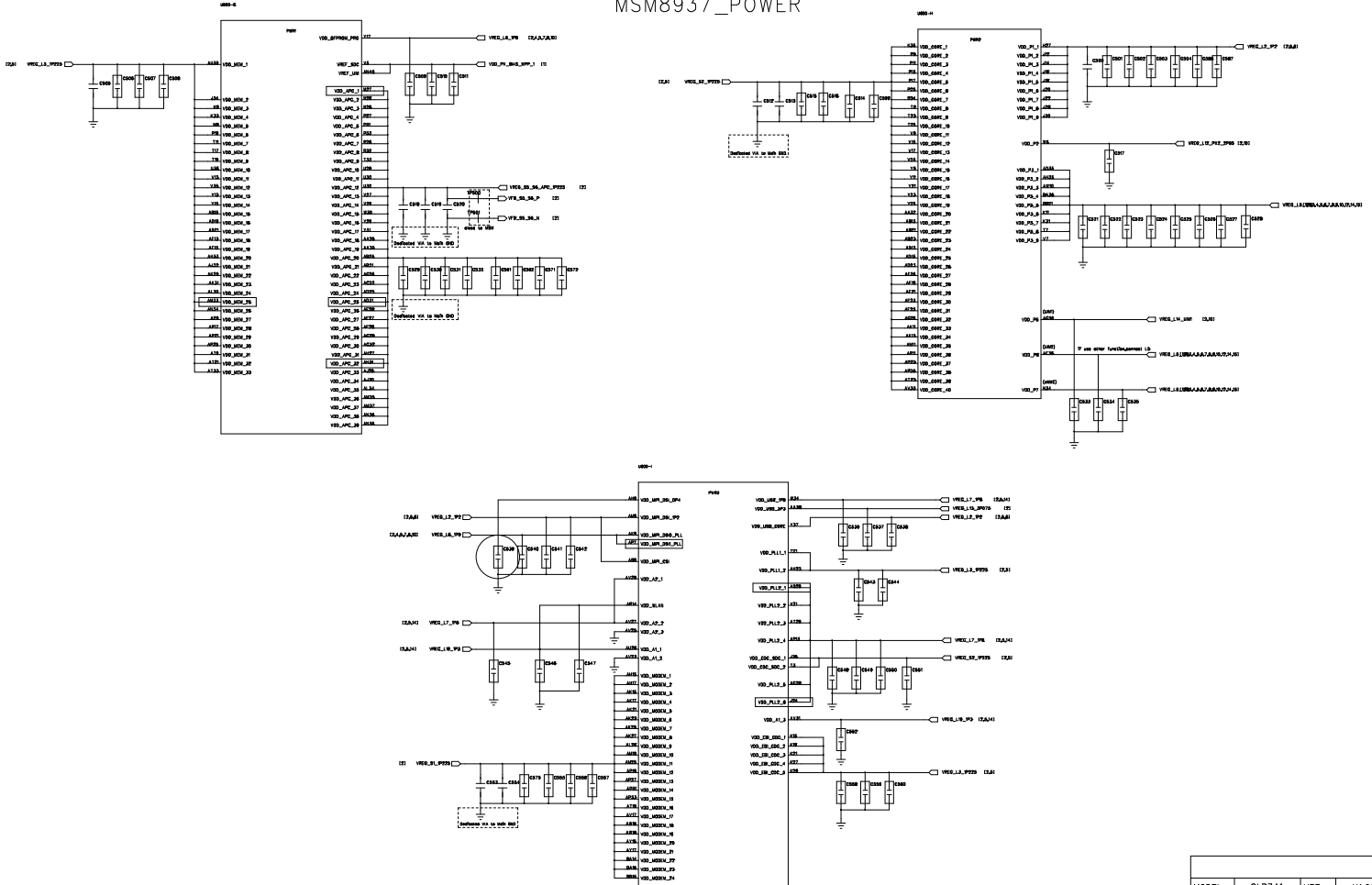
PSEUDO CAPLESS LDOs
 L6, L10, L12, L14, L15, L18, L22, L23
 L4*, L8*, L9*, L11*, L17*, still need validation as Pseudo-capless
 L5, L7, L13, L16 have internal PMIC Loads and require local CAPs.

MODEL	SLB741	VER.	
TITLE	PM8917_CONTROL/CODEC		
DRAWN		DATED	
CHECKED		SHEET	



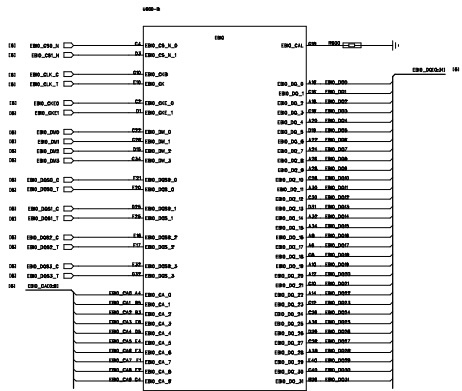
MODEL	SLB741	VER.	V1.00
TITLE	PM8917_POWER		
DRAWN		DATED	
CHECKED		SHEET	

MSM8937_POWER

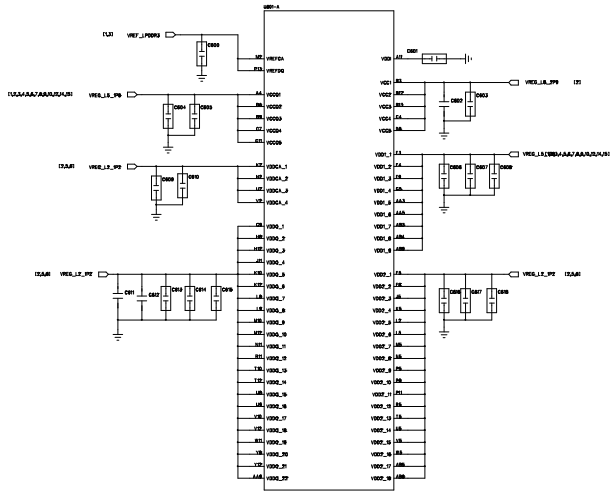
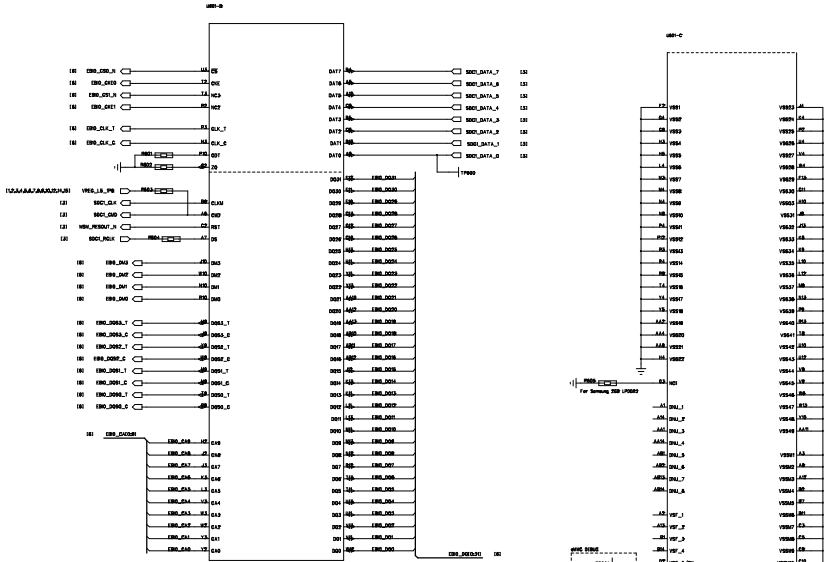


MODEL	SLB741	VER.	V1.00
TITLE	MSM8917_GPIO/GND	DATED	
DRAWN		SHEET	
CHECKED			

MSM8937_EBI



MEMORY:LPDDR3+EMMC

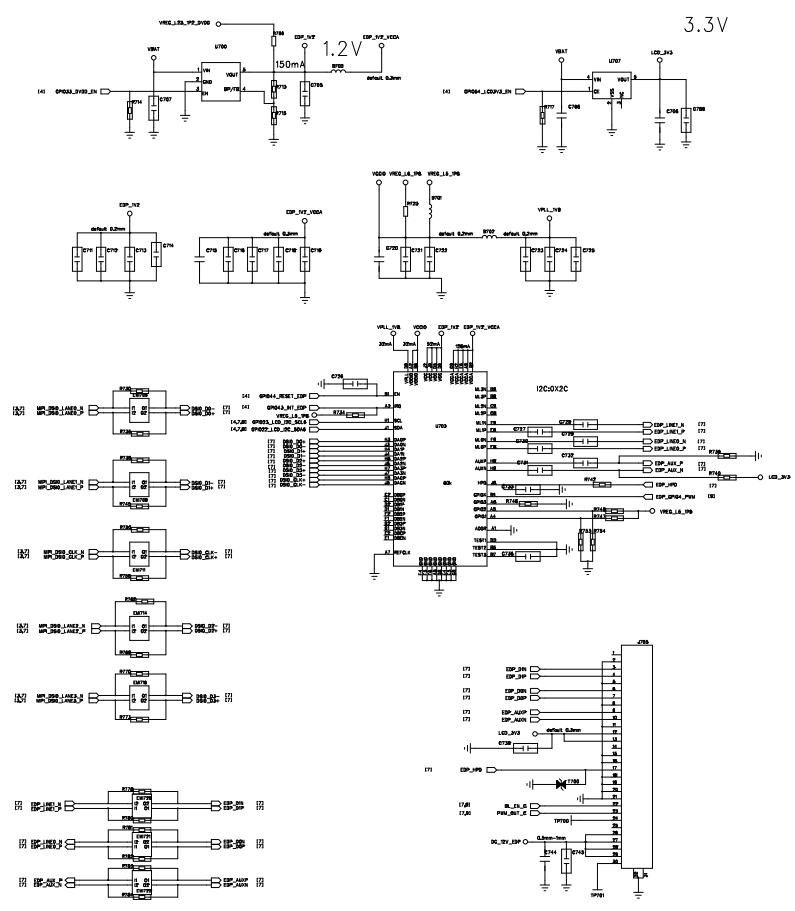


MODEL	SLB741	VER.	V1.00
TITLE	MSM8917_POWER		
DRAWN		DATED	
CHECKED		SHEET	

EDP

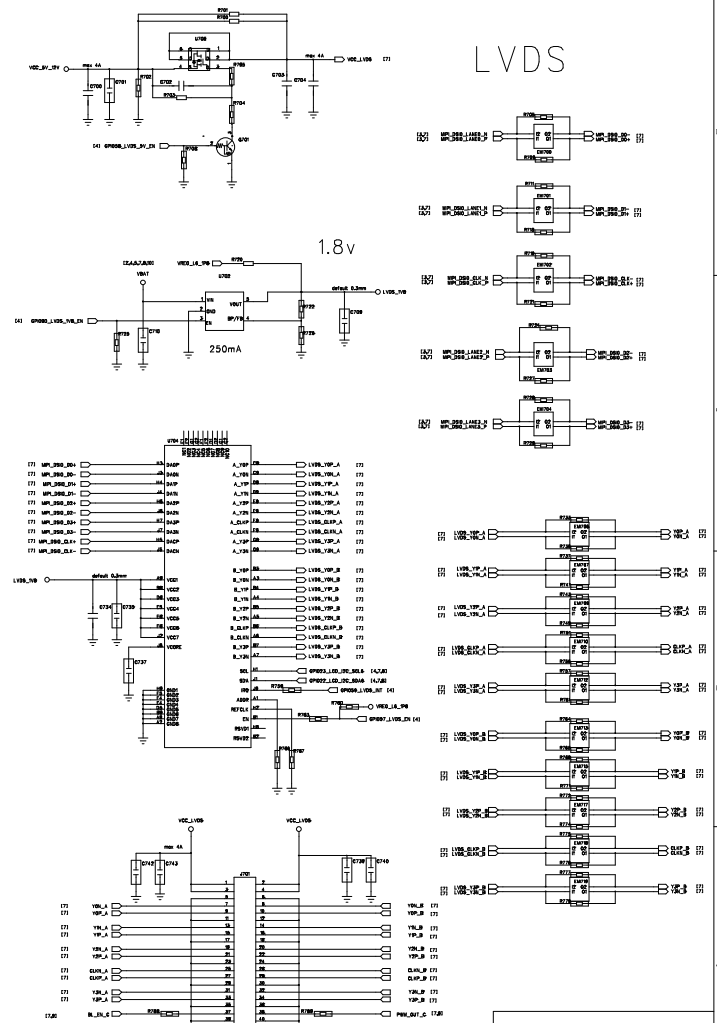
3.3V

1.2V

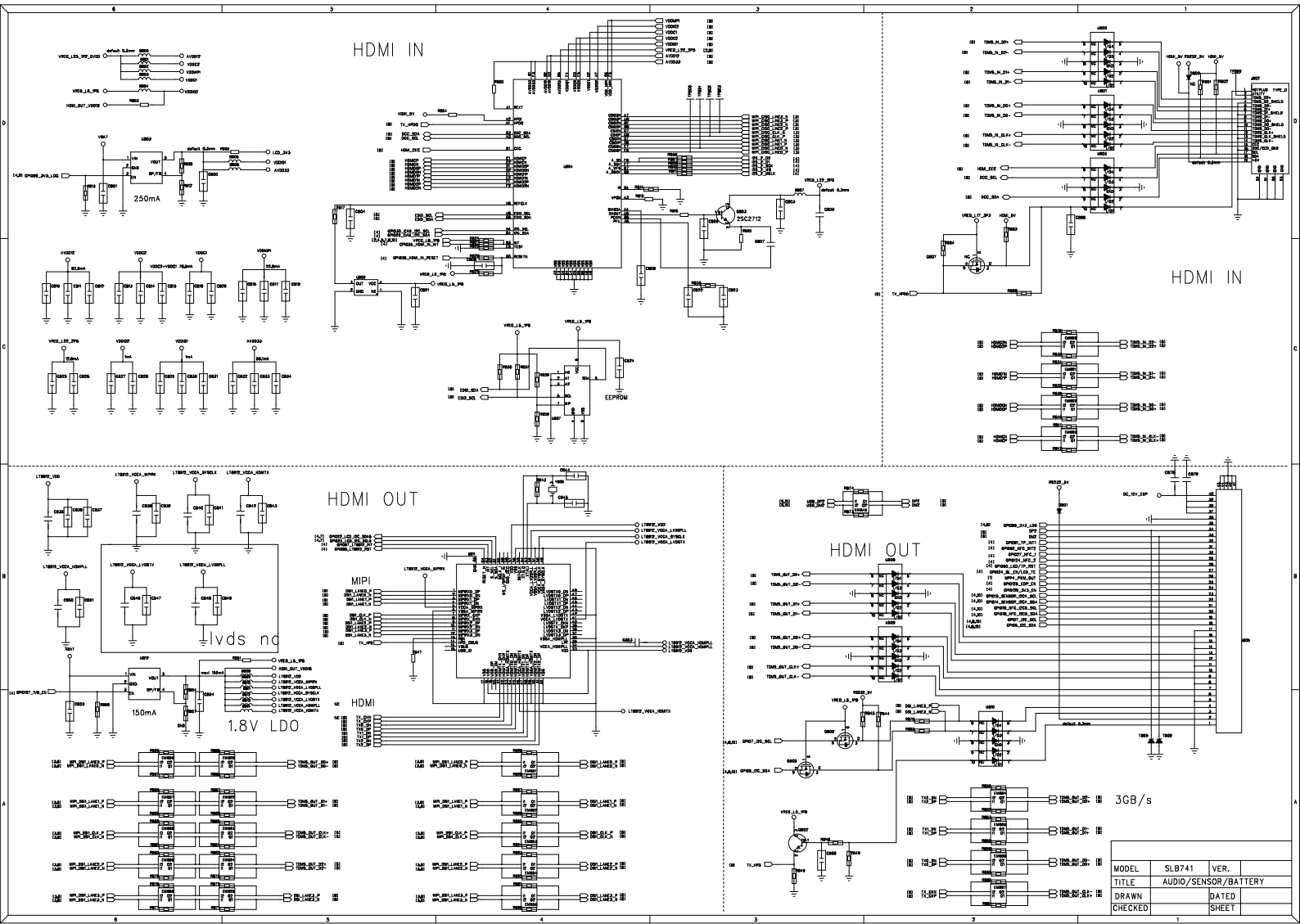


LVDS

1.8v

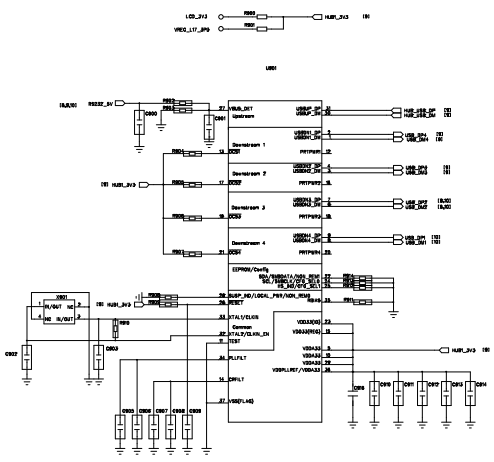


MODEL	SLB741	VER.	V1.00
TITLE	MEMORY		
DRAWN		DATED	
CHECKED		SHEET	4

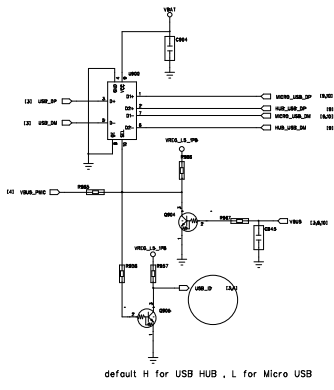


MODEL	SLB741	VER.
TITLE	AUDIO/SENSOR/BATTERY	
DRAWN		DATED
CHECKED		SHEET

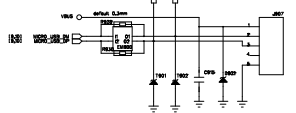
USB HUB



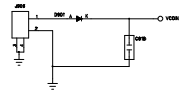
USB_SWITCH



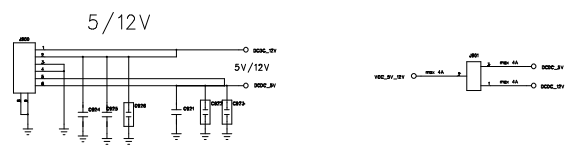
MICRO_USB



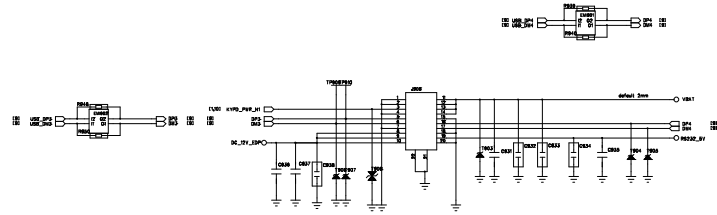
RTC



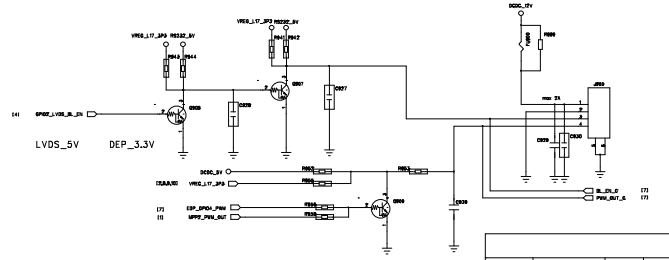
LVDS POWER



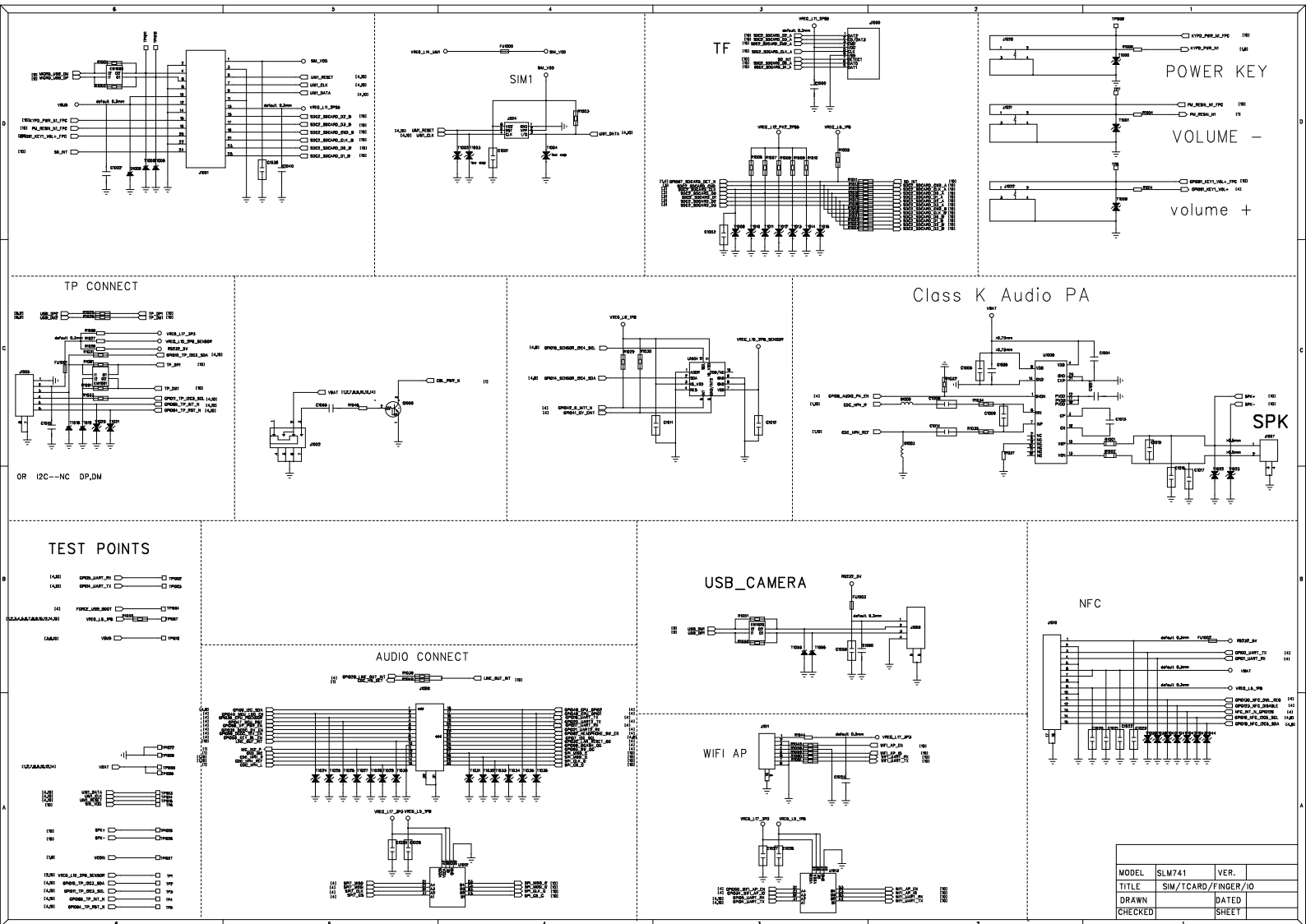
POWER CONNECT



LVDS

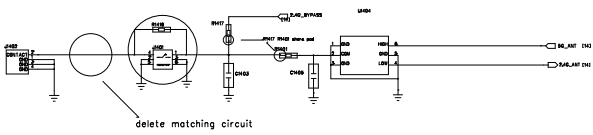


MODEL	SLB741	VER.	V1.00
TITLE	LCD/TP/CAM/SCAN		
DRAWN		DATED	
CHECKED		SHEET	

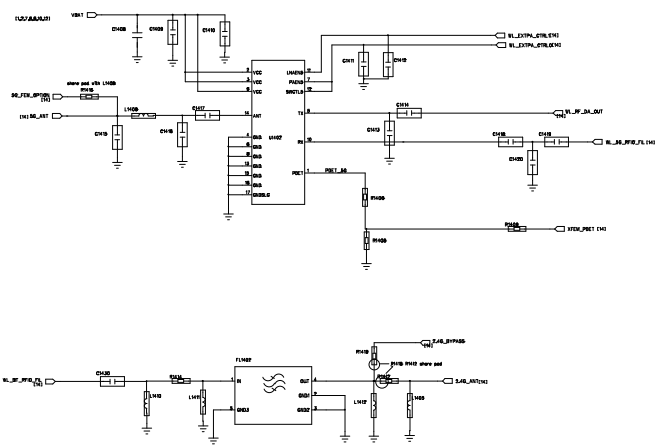
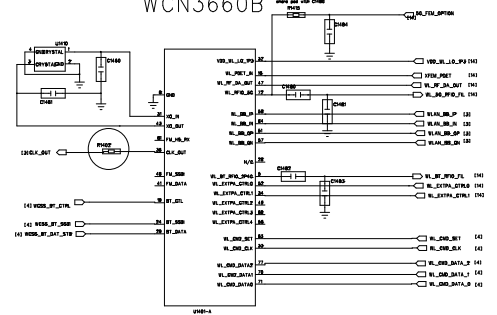


MODEL	SLM741	VER.
TITLE	SIM/TCARD/FINGER/O	
DRAWN		DATED
CHECKED		SHEET

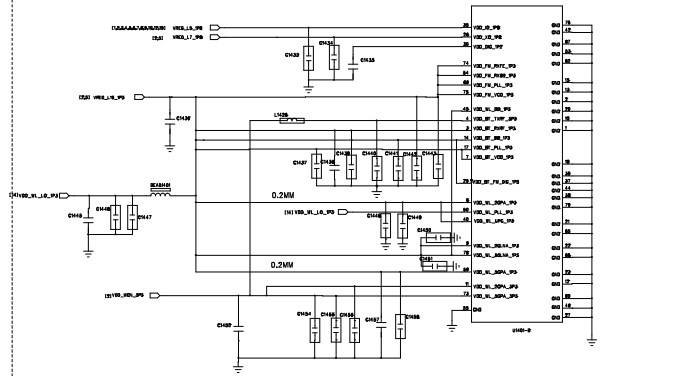
WCN3680B_WIFI_BT



WCN3660B



2GHz and 5GHz FEM



Power From System

MODEL	Z22	VER.	
TITLE	MT6627	DATED	
DRAWN		CHECKED	
CHECKED		SHEET	