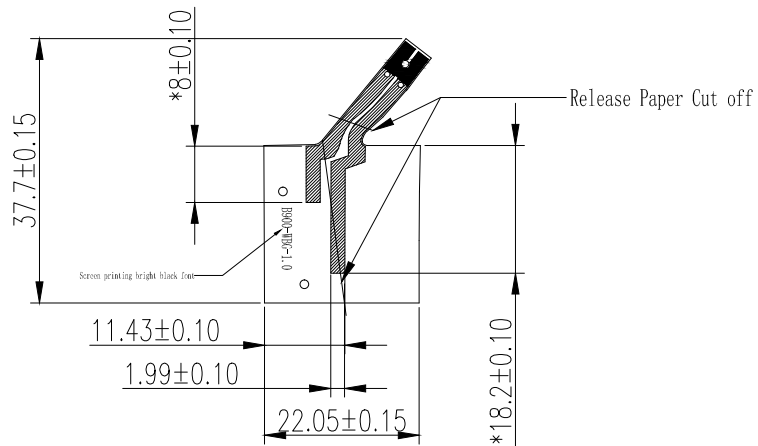


1		2		3		4		5		6				
The third perspective						0~10	10~30	30~50	50~	Angle	○	◎	⊥	
Unit	mm	Proportion	1:1			0.05	0.10	0.15	0.20	1°	0.02	0.02	0.03	0.05

Frequency Range	1575MHZ, 2400-2500MHZ
Impedance	50 OHM
VSWR	<2.0
Gain	1 DBI
Polarization	Vertical
Radiation	Omnidirectional



1	GPS+WIFI+BT Antenna	PI	Black	
No.	Part Name	Material	Colour	Remark

Note: 1. "*" for the key size;

- Please follow the drawing is not dimensioned
- Pb, Hg, Cr + 6, PBBs, PBDEs of less than 500PPM, Cd less than 50PPM

Shenzhen Daxian Technology Co., Ltd.					
Model	B900	Product color	Black	Date	2017.01.13
Project Coding	BB-900XX-005	Mold surfacetreatment		Structural Design	Zhouhongliang
Part Name	GPS+WIFI+BT Antenna			RF Design	Wuyufeng
Parts coding	2B-900XX-005-1			Check	
Material	PI			Approve	
Save Path				current version	A

A	New Figure	2015-08-04	
version	Description	Date	Remark

1		2		3		4		5		6	
---	--	---	--	---	--	---	--	---	--	---	--