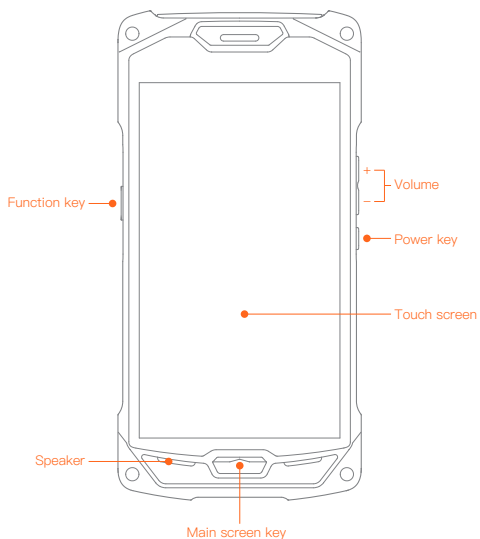


Product Description



Function key

Capable of being configured as a code scanning key or other functions by software.

Volume up/down button

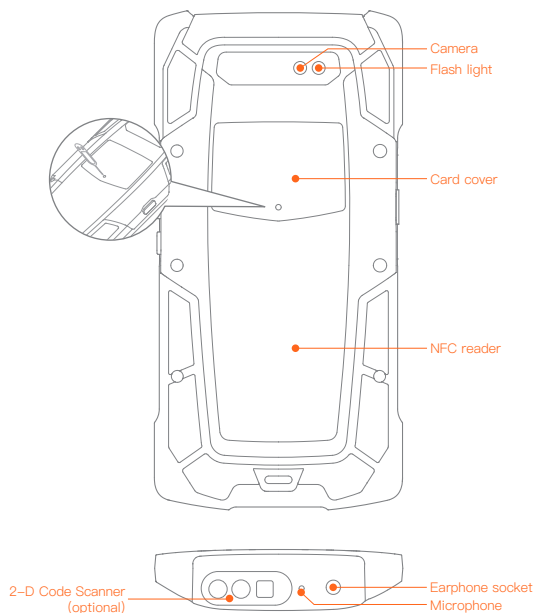
Volume adjustment.

Power key

Short press: light the screen and lock the screen.
Long press: under the power-off status, long press 2 to 3 seconds to power on;
Under the operating status, long press 2 to 3 seconds to choose power-off or restart.
Under the crashed status, long press 11 seconds to automatically restart.

Main screen key

When the screen is locked, short press to lighten the screen;
After unlocked, click at any interface to return to the main screen.



Camera

Supportive of photographing and 1D/2D fast scanning.

Flash light

Facilitating illumination of the surrounding environment when taking photos.

Card cover

SIM card, PSAM card and TF card installation place.

NFC reader

For reading Quick Pass bank cards

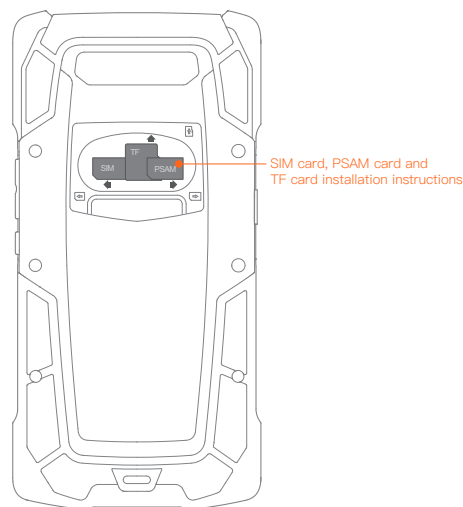
Earphone socket

Capable of external access to a sound box, and access to a personal credit card POS (application program support is required)

Two dimensional code scanner (optional)

One dimensional bar code Infrared scanner, used for reading.

Note: don't look straight at the Infrared scanning head to avoid eye injuries.



SIM card slot

Note: The machine must be in the power-off status during inserting or removing the SIM card. If plugging or removing is done in the power-on status, it may cause a machine stoppage.

- Use a card pin to open the card cover;
- Insert/remove the SIM card according to the illustrated directions;

PSAM card slot

Used for inserting an encrypted PSAM CPU card.

TF card slot

Used for inserting TF card.

Extremely easy settings

Only a few steps to activate an intelligent business device

- ① Set 2G/3G/4G: when power off, insert the 2G(GSM) /3G(WCDMA)/4G(TD-LTE) card and then power on. (Refer to the Technical Specifications for the support of cards)
- ② Long press the Power Key for 2~3s to activate the backlight of screen, and then operate following the prompts after entering the startup/booting screen for the first time. 2 modes for accessing the Internet are available.
- ③ Set WiFi
 - Click "Set" button, activate "WLAN" to enter the WLAN searching screen, and wait it to list all useable WLAN hot spots;
 - Click the WLAN to be connected, and enter the access password in case of an encrypted network.

Download/use Apps

After connected to the Internet, open the App Market, find, download and install the Apps.

FAQ

Booting failure (e.g. low battery)

- Plug the USB cable and charge for 3min;
- Check if the screen displays the normal charging status.

System crash

- Long press the Power Key for 11s to reboot.

Read the installed Help App for more information

Precautions

Warnings

- Plug the AC plug into an AC power outlet as specified on the Adapter;
- Don't use in any space with explosive gas;
- This product is verified as Level A, and may cause radio interference during normal use.
- For avoiding unwanted radio interference, practical actions may be required.
- Replace the battery:
 - ① Replacing with an unmatched battery may result in dangerous explosion!
 - ② Return the battery replaced to the serviceman. Don't dispose it in fire!

Important Safety Instructions

- Try not to install or use the device during lightning, or else there would be lightning stroke danger;
- When you find unusual smell, overheat or smoke, please cut off the power immediately;

Suggestions

- Do not use it in extremely cold or hot conditions (e.g., near fire or a lighted cigarette);
- Do not drop, throw or bend it;
- Try to use it in a clean and dustless environment and avoid tiny articles falling into the terminal;
- Do not use it near medical equipment without permission.

Declaration

The company shall not be responsible for the following actions

- Any damage caused by not using and maintaining it under the conditions described in the guide;
- Any damage or problem caused by optional parts or consumptive materials (not the original products provided by the company or approved products), the company will assume no responsibility for this. It is not allowed to modify or change the product without the consent of the company.
- The operating system of this product supports official system update. If users install ROM system from the third party or modify the system files by means of cracking, it may lead to system instability, as well as security risk and security threat.

Disclaimer

Owing to the update of the product, some details of this document may not be in conformity with those of the product. Please refer to the material object. The company reserves the right to interpret this document. The company reserves the right to modify this instruction book without prior notice.

Product technical specifications

Item	Technical Specifications
Operating system	Android 7.1
CPU	Quad-core MSM8917
CPU basic frequency	1.4GHZ four cores
RAM	2GB LPDDR3
FLASH	16GB Nand Flash
Display	5 inch IPS, resolution 1280*720
Touch screen	Capacitive multi-touch screen, supportive of the glove mode
Camera	500W AF
NFC	mifare/Felica/ISO 14443/ Type A/B/ISO15693; P2P mode and simulation through UICC and the host card
Wireless data	2G: B2/B3/B5/B8 3G: (B1/B2/B4/B5),EVDO(BC0/BC1) 4G: B2/B4/B7/B17/B28
WIFI	Build-in WIFI 802.11 a/b/g/n/ac (2.4G/5G)
Bluetooth	Support of bluetooth 3.0/4.0BLE and iBeacon
Keys	Power key, function key, volume key, main screen key
Interfaces	Configuration interfaces Type-c, SIM, PSAM, TF card slot, support of OTG
SAM card deck	Support SAM card, meet ISO7816 standards
Outline dimensions	L152.8 mm * W76 mm * H18.9 mm
Battery	3.8V/5000mAh
Adapter	OUTPUT: DC5V/2A INPUT: AC100-240V/0.3A 50/60Hz
Scanner (optional)	Code 128,EAN-13,EAN-8,Code 39,UPC-A, UPC-E,JSSN,ISBN,Codabar,Code 93,F-6, ITF-14, Interleaved,Industrial,Standard 2 of 5,Matrix 2
Three-prevention function	IP67 dust proof and waterproof functions

This device complies with Part 15 of the FCC Rules. Operation is subject to the following two conditions:

- (1) This device may not cause harmful interference.
- (2) This device must accept any interference received, including interference that may cause undesired operation.

FCC ID: 2AH25L2

NOTE: Changes or modifications not expressly approved by the party responsible for compliance could void the user's authority to operate the equipment.

NOTE: This equipment has been tested and found to comply with the limits for a Class B digital device, pursuant to Part 15 of the FCC Rules. These limits are designed to provide reasonable protection against harmful interference in a residential installation. This equipment generates uses and can radiate radio frequency energy and, if not installed and used in accordance with the instructions, may cause harmful interference to radio communications. However, there is no guarantee that interference will not occur in a particular installation.

If this equipment does cause harmful interference to radio or television reception, which can be determined by turning the equipment off and on, the user is encouraged to try to correct the interference by one or more of the following measures:

- Reorient or relocate the receiving antenna.
- Increase the separation between the equipment and receiver.
- Connect the equipment into an outlet on a circuit different from that to which the receiver is connected.
- Consult the dealer or an experienced radio/TV technician for help.

Body-worn Operation

This device was tested for typical body-worn operations. To comply With RF exposure requirements, a minimum separation distance of 1.0cm must be maintained between the user's body and the handset, including the antenna.

Third-party belt-clips, holsters, and similar including the antenna. Third-party belt-clips, holsters, and similar accessories used by this device should not contain any metallic components. Body-worn accessories that do not meet these requirements may not comply with RF exposure requirements and should be avoided.

Specific Absorption Rate (SAR) information:

This wireless phone meets the government's requirements for exposure to radio waves. The guidelines are based on standards that were developed by independent scientific organizations through periodic and thorough evaluation of scientific studies. The standards include a substantial safety margin designed to assure the safety of all persons regardless of age or health.

FCC RF Exposure Information and Statement. The SAR limit of USA (FCC) is 1.6W/kg averaged over one gram of tissue. Device types: T8900&T8901 has also been tested against this SAR limit. The highest SAR value reported under this standard

during product certification when properly worn on the body is 1.856W/kg (10gSAR, test distance: 10mm, limit 4W/kg) and 1.276W/kg (1gSAR, test distance: 10mm, limit 1.6W/kg). This device was tested for body-worn operations with the back of the handset kept 10mm and 5mm from the body. To maintain compliance with FCC RF exposure requirements, use accessories that maintain a 10mm and 5mm separation distance between the user's body and the back of the handset. The use of belt clips, holsters and similar accessories should not contain metallic components in its assembly. The use of accessories that do not satisfy these requirements may not comply with FCC RF exposure requirements, and should be avoided.

Technical features and characteristic

the product includes the following features and characteristics:

	Operation Frequency	Transmitted
GSM850	824MHz-849MHz	33dBm
GSM1900	1850MHz-1910MHz	31dBm
WCDMA bandII	1850MHz-1910MHz	24dBm
WCDMA bandIV	1710MHz-1755MHz	24dBm
WCDMA bandV	824MHz-849MHz	24dBm
LTE band2	1850MHz-1910MHz	24dBm
LTE band4	1710MHz-1755MHz	24.5dBm
LTE band7	2500MHz-2570MHz	24.5dBm
LTE band17	704MHz-716MHz	24dBm
CDMA BC0	824MHz-849MHz	25dBm
CDMA BC1	1850MHz-1910MHz	24.5dBm
BT	2402MHz-2480MHz	6dBm
BLE	2402MHz-2480MHz	-1dBm
wif	2412MHz-2462MHz	17dBm
	5150MHz-5250MHz	12dBm
	5250MHz-5350MHz	
	5725MHz-5850MHz	

Name and content of toxic and harmful substances contained in this product are shown in the following table

Name of parts	Toxic and harmful substances and elements					
	(Pb)	(Hg)	(Cd)	(Cr(VI))	(PBB)	(PBDE)
Circuit board	×	○	○	○	○	○
Shell	○	○	○	○	○	○

○:It indicates that the content of toxic and harmful substances in all homogeneous materials of this part is below the limit specified in SJ/T11363-2006.

×:It indicates that the content of toxic and harmful substances is higher than the limit specified in SJ/T11363-2006 in at least one homogeneous material of this part; however, the the reason why the toxic substance of that part exceeds the limit is that there is no applicable material to replace it currently.

For products that have reached or passed the service years for environmental protection, they should be recycled according to Measures for Control and Management of Electronic Information Products and should not be thrown away at will.

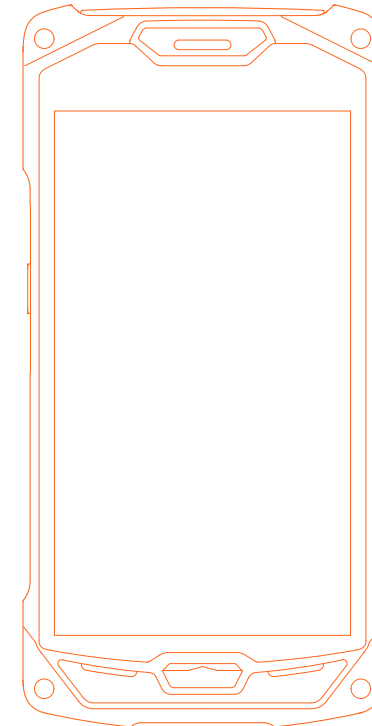
This product can be used across EU member states. The full text of the EU declaration DOC is available at the following internet address: www.sunmi.com

Manufacture

Room 505, KIC Plaza, No.388 Song Hu Road, Yang Pu District, Shanghai, China

List of packaged items

- Terminal device × 1
- User's Guide × 1
- Charger & Adapter × 1
- USB Cable × 1
- Sim Card Removal Pin × 1
- _____



T8900、T8901
User Guide