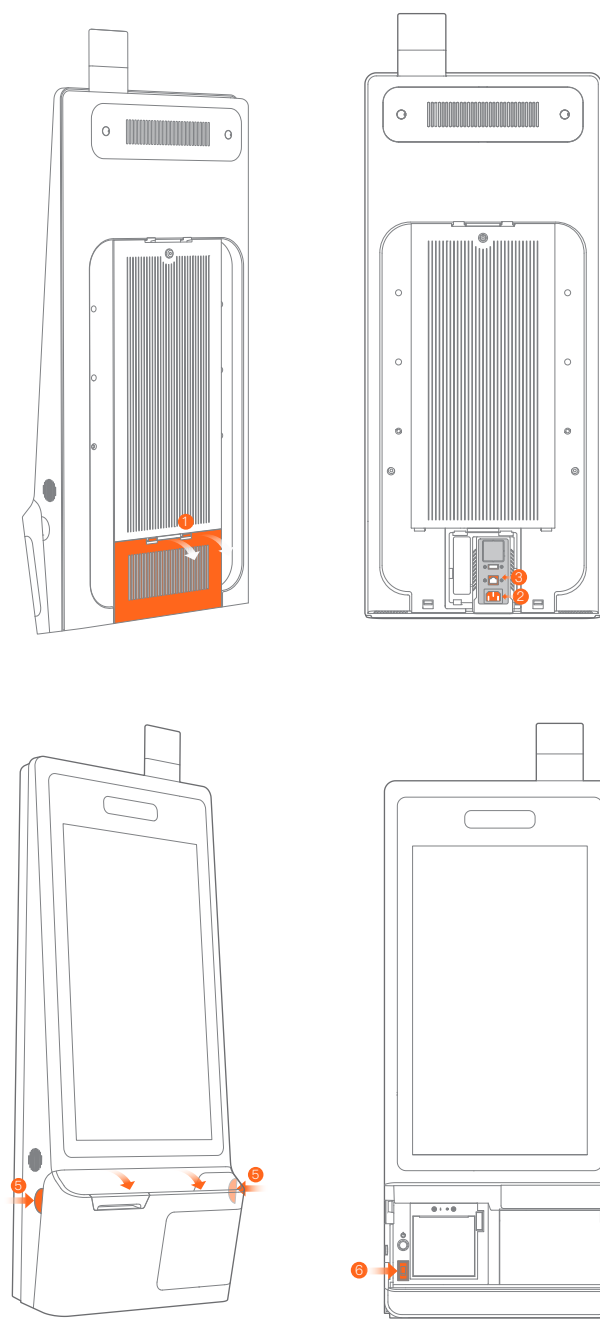
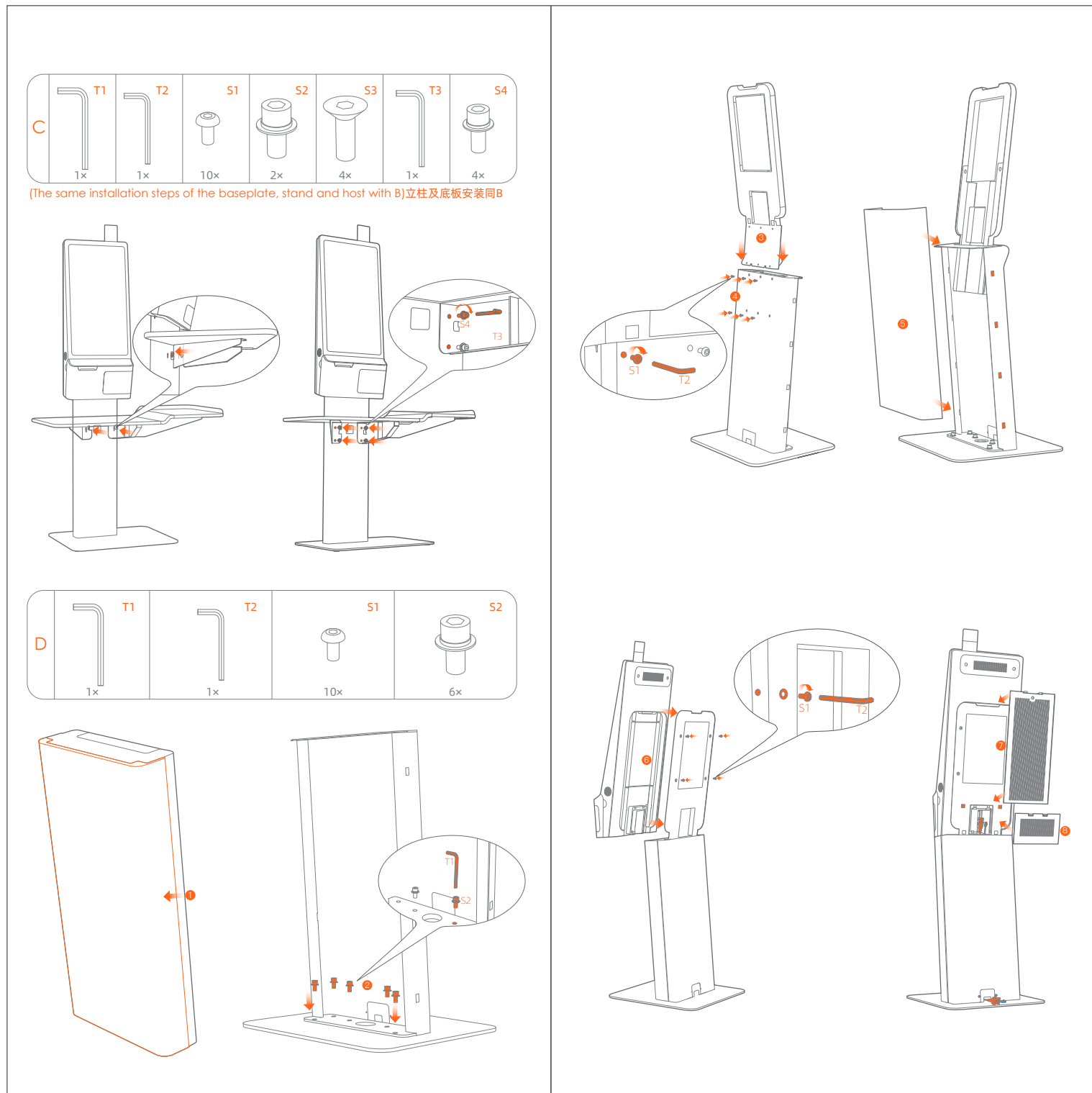
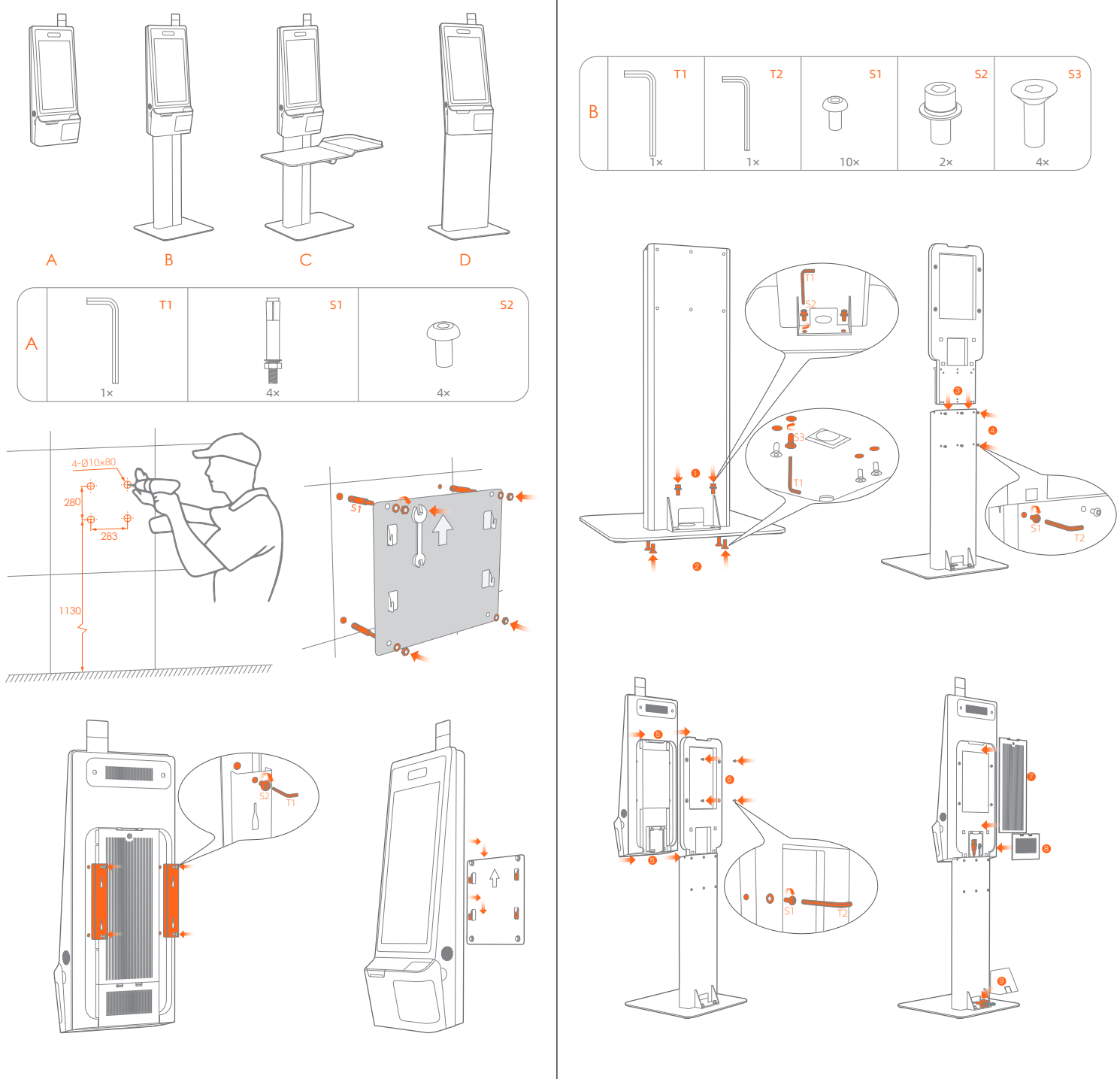




Quick Start Guide/快速入门指南



Four installation styles/四种安装方式



Quick Setting

Only several steps to enable the smart commercial device K2: After turning on the complete machine power supply, the screen will be lit. Then you will enter the first boot interface and just simply operate according to the instructions.

LAN setting After plugging the network cable correctly, click "Setting" and "Wired Network" to choose Enable. Access password is required for an encrypted network connection.

Wi-Fi setting Click "Setting" and "WLAN" to enter the WLAN search interface. Wait for the available WLAN hot-spots searching and listing. Click the right WLAN to connect to the network.

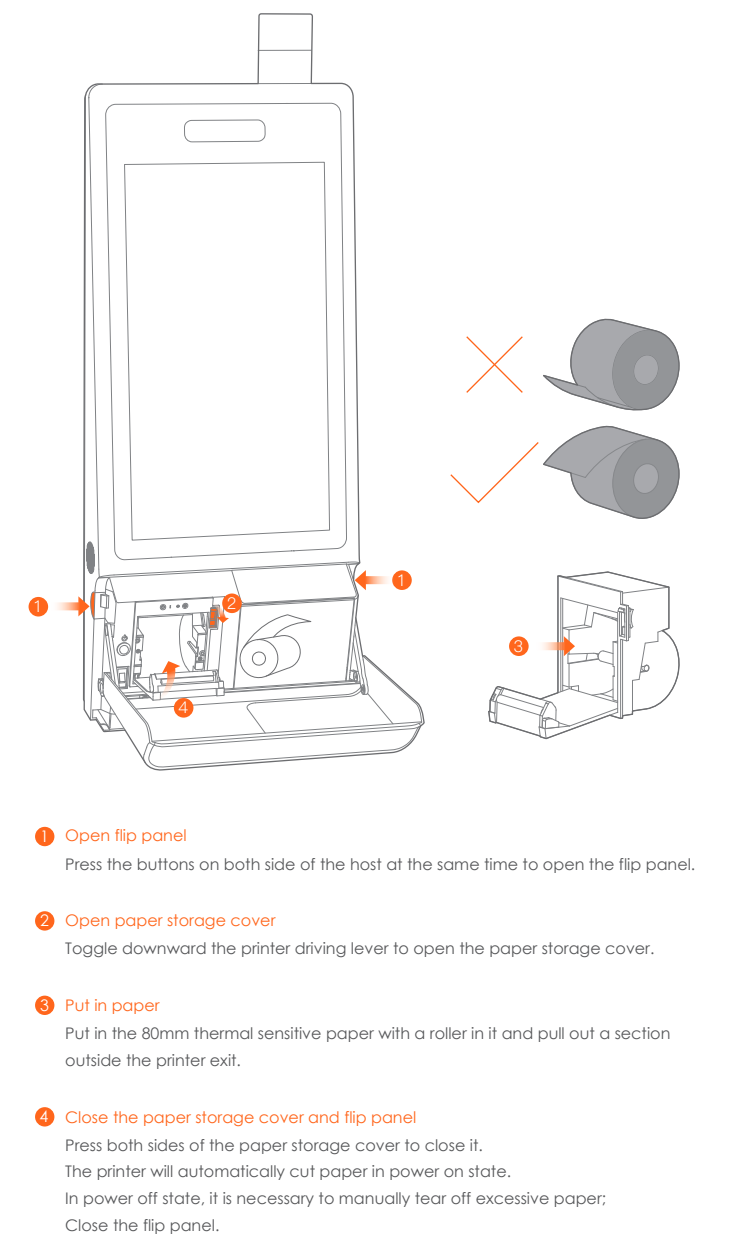
How to download/use App

The Self-service Kiosk is applicable for the cashier environment of commercial customers in various industries, such as Chinese and Western catering, high-end department stores, supermarkets, convenience stores, information sites, interactive multi-media, scenic spot, etc.

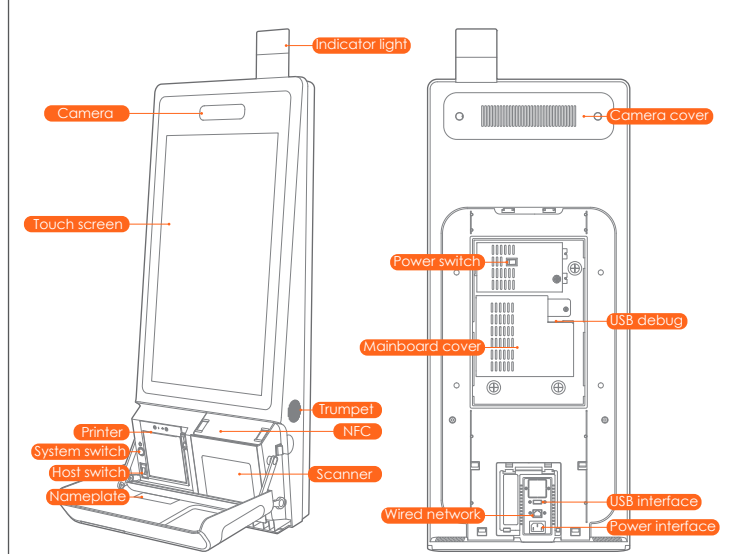
Facebook: SunmiTech LinkedIn: SUNMI Technology

Please read the internal machine help App for more help or call 400-6666-509 for free telephones services.

Paper Changing Steps for the Inside Printer



Brief Introduction of Self-Service Kiosk



Camera Camera used to shoot image. Camera cover Used to cover the camera inside the host. Touch screen Touchable screen applied for customer usage. Printer Used to print receipt. NFC Used for NFC card reading. Scanner Used to read codes. System switch In standby state, short press to boot, short press again to be in standby mode. In service state, long press for 2 to 3 seconds to choose to shut-down or restart. In power off state, it is necessary to manually tear off excessive paper. Close the flap panel.

Dimension Parameters of Bare Machine

Table with 3 columns: Type, Machine size (WxH), Net weight (bare machine). Rows include Host, Floor-standing with table, Floor-standing, Eco-service expansion, and Wall-mounted.

Package packing List of K2 Host

Table listing components and their quantities: K2 Host (1), K2 Wall-mounted rack (1), Accessory Box (1), Printing paper (1), Host power line, Host network cable, Host keys, Screw bag, User Gudge.

Table for Names and Content Identification of Toxic and Hazardous Substances in this Product

Table with columns: Part Name, Substances (Pb, Hg, Cd, Cr, Ni, Mn, Ag, Cu, Fe, Zn, Al, Sn, Se, Br, F, Cl, B, P, S, Mo, V, Co, Ni, Ti, Zn, Ba, Sr, Ca, Mg, K, Na, Li, Rb, Cs, Fr, Be, B, C, N, O, F, Ne, Na, Mg, Al, Si, P, S, Cl, Ar, K, Ca, Sc, Ti, V, Cr, Mn, Fe, Co, Ni, Cu, Zn, Ga, Ge, As, Se, Br, Kr, Rb, Sr, Y, Zr, Nb, Mo, Tc, Ru, Rh, Pd, Ag, Cd, In, Sn, Sb, Te, I, Xe, Ba, La, Ce, Pr, Nd, Pm, Sm, Eu, Gd, Tb, Dy, Ho, Er, Tm, Yb, Lu, Hf, Ta, W, Re, Os, Ir, Pt, Au, Hg, Tl, Pb, Bi, Po, At, Rn, Fr, Ra, Ac, Th, Pa, U, Np, Pu, Am, Cm, Bk, Cf, Es, Fm, Md, No, Lr, Rf, Rg, Cn, Nh, Fl, Lv, Ts, Og). Rows include Circuit Board Component, Packaging Component, and User Gudge.

FCC compliance statement This device complies with Part 15 of the FCC Rules. Operation is subject to the following two conditions: (1) This device may not cause interference, and (2) This device must accept any interference received, including interference that may cause undesired operation.

INFORMATION ABOUT THE SOFTWARE The description of accessories and components, including software, which allow the radio equipment to operate as intended, can be obtained in the full text of the EU declaration of conformity at the following internet address: https://developer.sunmi.com/docs/read-en-US/m0aaqjkh40.

ISED Canada compliance statements This device complies with ISED Canada licence-exempt RSS standards. Operation is subject to the following two conditions: (1) This device may not cause interference, and (2) This device must accept any interference received, including interference that may cause undesired operation of the device.

EU regulatory conformance Hereby, Shanghai Sunmi Technology Co., Ltd. declares that this device is in compliance with the essential requirements and other relevant provisions of Radio Equipment Directive 2014/53/EU.

Product warranty card Product Name: K2 OPEN BOX. Free warranty is not available for: Damage and repair the product without permission. The user shall be responsible for the damage caused by the user's misuse of the product.

Points for attention about the power supply Please unplug the plug from the power supply AC socket to completely disconnect the power supply connection of the device. Do not use it near the water or in the humid environment.

Product certificate Inspection Qualified. Manufacture: Shanghai Sunmi Technology Co., Ltd. Address: Room 303, Building 7 No. 388, Longyuan Rd, Shanghai, China.

Points for attention Please take attention that changes or modification not expressly approved by the party responsible for compliance could void the user's authority to operate the equipment.

Important Safety Instructions Avoid it to be installed or used during the thunder & lightning period, otherwise there will be risk of being electrically shocked by it. Do not use it nearby the medical devices when not allowed.

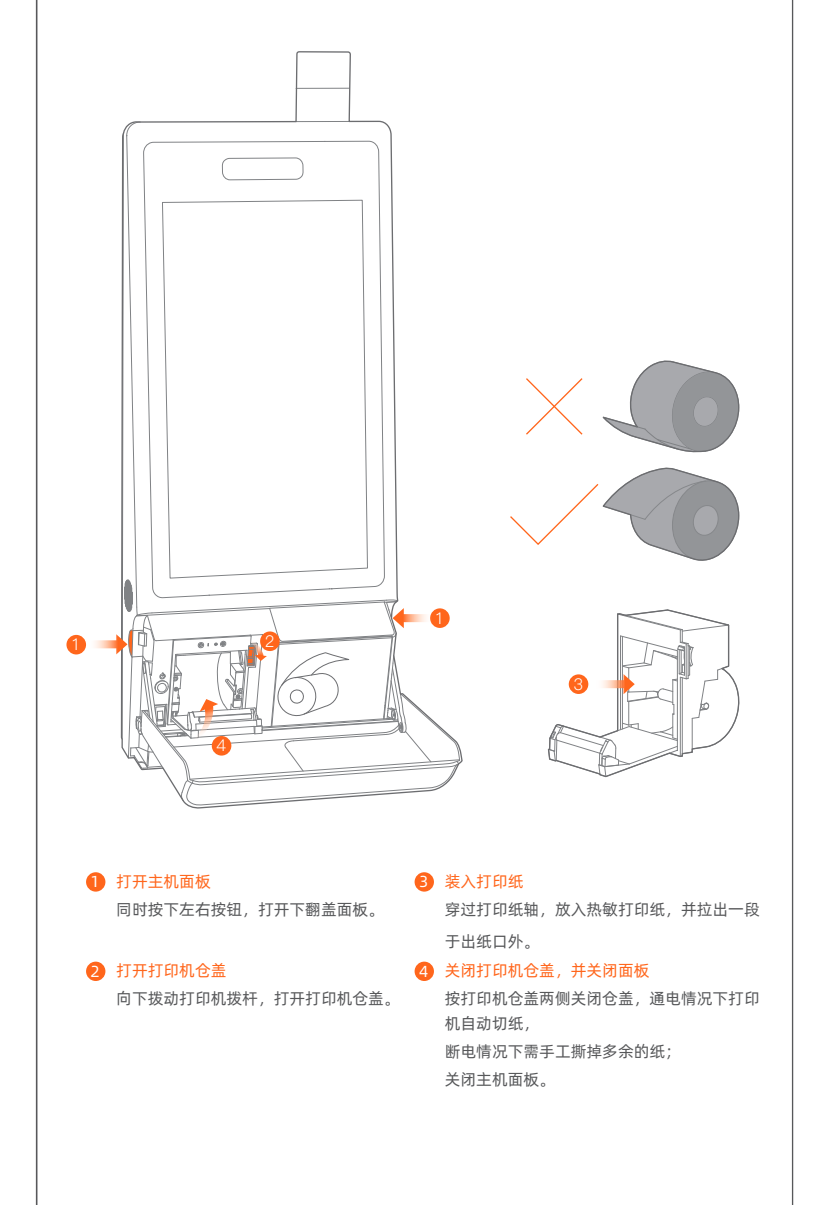
Statement Our company will not be responsible for any damage or problem caused by any action or consumable (not the initial product or a recognized product provided by our company).

极简设置

开启智能应用服务, 只需几步 1. 打开整机电源后, 屏幕点亮, 进入首次开机界面, 按屏幕操作即可。本机可选择2种上网模式。

如何下载/使用应用 本自助服务终端适用于中餐快餐服务业, 高档百货, 商超, 便利店, 资讯站, 互动多媒体等不同类型的商业客户。

自助服务终端打印机装纸步骤



自助服务终端简介



整机外形尺寸参数

Table with 3 columns: Category, Product Size, Net Weight. Rows include Main Unit, Desktop Style, Vertical Style, Landscape Style, and Wall-mounted Style.

自助服务终端主机包装清单

Table listing components and their quantities: K2 Host (1), K2 Wall-mounted rack (1), Accessory Box (1), Printing Paper (1), Host power line (1), Host network cable (1), Host keys (2), Screw bag (1), User Gudge (1).

本产品有毒有害物质名称及含量标识表

Table with 2 columns: Component Name, Content. Rows include Circuit board, Power cord, Network cable, USB cable, and Barcode label.

注意事项

安全警告 请勿将电源线头与电源插座或适配器上连接。不要在潮湿或水浸环境中使用。避免液体溅入。不要在易燃、易爆环境中使用。

重要安全说明 避免在雷雨期间安装或使用, 否则可能导致电击危险。当您发现异常气味、过热或烟雾时, 请立即切断电源。

产品保修卡

产品名称: K2 OPEN BOX. 产品型号: K2 OPEN BOX. 购买日期: 自购买之日起, 我公司提供 天保修服务。

产品合格证 检验合格. 制造商: 上海新米科技集团股份有限公司. 地址: 上海市浦东新区沪南路388号新米科技园7楼505室.