

Company Name: Shanghai Sunmi Technology Co.,Ltd.  
Add: Room 605, Block 7, KIC Plaza, No.388 Song Hu Road, Yang Pu District,  
Shanghai 200433 China  
Tel: 18721763396  
Fax: 18721763396

Date:2019-11-07

FEDERAL COMMUNICATIONS COMMISSIONS  
Authorization and Evaluation Division  
7435 Oakland Mills Road  
Columbia, MD 21046

Subject: Description of Permissive Change

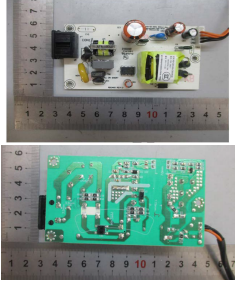
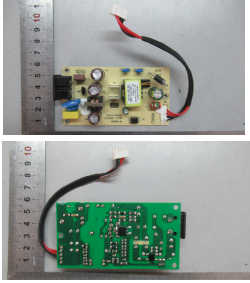
Dear Sir/Madam,

We, Shanghai Sunmi Technology Co.,Ltd. hereby authorize Bay Area Compliance laboratory Corp to act as a laboratory for testing and test report generation for the following project(s):

FCC ID: 2AH25FW010

Model Name: FW010

Original Grant Date: 08/22/2019

Original	CIIPC
	
<p><b>Detailed information:</b> Change the board of the internal power supply.</p>	

We affirm that between BACL and Shanghai Sunmi Technology Co.,Ltd. any difference in understanding, including test plan, measurement methods, applicable standards and relevant procedures and processes have been resolved prior to commencement of testing activities

This authorization is valid until further written notice from the applicant.

Sincerely Yours,

Signature: *Zhang Wentang*

Contact Person : Zhang Wentang

Title : Manager