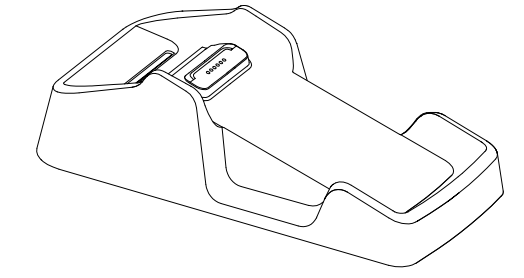
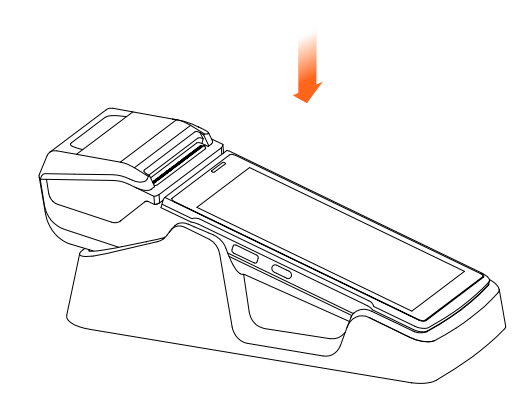


设备简介 / Product Profile

多功能底座为智能金融终端提供充电、USB接口扩展、Wi-Fi上网和无线数据传输功能。
The multifunctional base provides charging, USB port expansion, Wi-Fi internet access and wireless data transmission functions for Smart Payment Terminal.

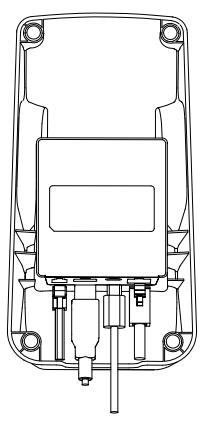


未接上主机，可通过搜索并连接底座WiFi进行上网；如需更改底座WiFi配置，先移除以太网接口网线，主机连接底座WiFi，在主机浏览器网页输入“192.168.1.1”，进入路由器设置系统（账号：admin，密码：admin），进入“无线-热点设置”设置WiFi名称和密码。
If you need to change the WiFi configuration of the POS Base, first remove the network cable of the Ethernet interface, connect the host to the POS Base WiFi, enter "192.168.1.1" on the host's browser page, enter the router setting system (account: admin, password: admin), and enter "Wireless-Hotspot Settings" to set the WiFi name and password.



直接放上主机，开始充电或通过网络上网（选配）
Put POS on Base, then start charging, or access internet through the Base (Optional).

* 仅适用商家整机设备
Only support for SUNMI



复位孔
Reset Hole

USB接口
USB Type A Port

以太网口(选配)
Ethernet Port (Optional)

RJ11口(选配)
RJ11 Port (Optional)

Type C口
Type C Port

指示灯说明 / Status Indication

Table with 4 columns: Status/Color, Off, On, Flashing. Rows include Yellow/Left (No network), Green/Right (Network connection).

注意事项 / Product Profile

当您发现有异常气味、过热或烟雾情形下，请立刻切断电源。不要在极端冷、热环境中使用，例如靠近火源或点燃的香烟；尽量在清洁无尘环境中使用，避免细小物品落入终端中；在未获允许的情况下，不要在医疗设备附近使用。

声明
本公司不对以下行为负责：
不在本指南说明的条件下使用和维护所造成的损坏；
对于如何因选件或耗材(非本公司提供之最初产品或认可产品)造成的损坏或问题，本公司将不承担任何责任。未经本公司同意，无权对产品进行修改或变动。

免责声明
由于产品的更新，此文档的某些细节可能与产品不符，请以实物为准。此文档的解释权归本公司。保留不预先通知的情况下，修改本说明书的权利。

When you notice an unusual smell, overheating or smog, turn off the power immediately. Do not use in extremely hot and cold environments, such as near fire or lit cigarettes; Try to use it in a clean, dust-free environment to prevent small items from falling into the terminal; Do not use it near medical equipment without permission.

Statements
The company is not responsible for the following actions:
Damage caused by use and maintenance without the conditions described in this guide;
The company will not be responsible for any damages or problems caused by the alternatives or consumables (not the original products or approved products provided by the company). Without consent of the company, it is not authorized to make product modifications or changes.

Disclaimer
Due to product updates, some details of this document may not match the product, please refer to the actual product, and the right to interpret this document belongs to the company. The right to modify this guide without prior notice is reserved.

Adapter table with Input/Output specifications: AC110 ~ 220V/0.3 ~ 0.4A, DC5V/2A, USB Type-C port.

技术规格 / Technical specifications

技术规格信息请访问网站 "www.sunmi.com" 了解更多。
For more technical specifications, please visit: www.sunmi.com.

* The product information listed on this page may be updated from time to time due to product upgrades or other reasons. SUNMI reserves the right to modify the product information and contents on this page without notice.

CE, RoHS, and FCC compliance logos and text.

Conformity CE

Hereby, Shanghai Sunmi Technology Co., Ltd. declares that this device is in compliance with the essential requirements and other relevant provisions of Radio Equipment Directive 2014/53/EU. The full text of the EU declaration of conformity is available at the following internet address: https://developer.sunmi.com/docs/read/en-US/maeghjk480

FCC compliance statement

This device complies with Part 15 of the FCC Rules. Operation is subject to the following two conditions: (1) this device may not cause harmful interference, and (2) this device must accept any interference received, including interference that may cause undesired operation.

ISED Canada compliance statements

This device complies with ISED Canada licence-exempt RSS standard(s). Operation is subject to the following two conditions: (1) this device may not cause interference, and (2) this device must accept any interference, including interference that may cause undesired operation of the device.

本产品有毒有害物质名称及含量标识表
Table for Names and Content Identification of Toxic and Hazardous Substances in this Product

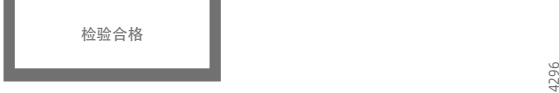
Table with columns for components (主板, 结构件, 包装件) and substances (铅, 汞, 镉, 六价铬, 多溴联苯, 多溴二苯醚).

○：表示该有毒有害物质在该部件所有均质材料中的含量均在SJ/T11363-2006规定的限量要求以下。
X：表示该有毒有害物质至少在该部件的某一均质材料中的含量超出SJ/T11363-2006规定的限量要求；但是上表中打“x”的部件，其含量超出是因为目前业界还没有成熟的替代技术。
对达到或超出环保使用年限的产品，应依据《电子信息产品控制管理办法》规定进行回收再利用，不应随意丢弃。

产品维修

Form for product repair information including name, model, purchase date, and contact details.

产品合格证



制造商：上海南米科技集团股份有限公司
地址：上海市杨浦区龙浦路388号创智天地7号楼505室
Shanghai Sunmi Technology Co., Ltd.
Address: Room 505, KIC Plaza, No.388 Song Hu Road, Yang Pu District, Shanghai, China

Large graphic with 'THANK YOU' text in multiple languages and a central 'Multifunction Base QUICK START GUIDE' logo.

要求:

PANTONE 165C

PANTONE Orange 021C

制作工艺说明

工艺：包心折

材质：108g 雅粉纸

尺寸：80x160mm



制图：张亚璐

图纸名称 P2底座 说明书

供应商 供应商料号

发行日期 20220725

变更原因

Table with 2 columns: Unit (单位), Version (版本). Values: mm, 1.3.