

### Simple Settings

Get this intelligent device ready for use in few steps.

- Press the power button to turn on the screen and enter into the boot interface, then you can operate in accordance with guidance. For this device, two network modes can be selected.
- Wi-Fi Setting
  - Click the button [Setting], and open WLAN to enter into the interface for WLAN searching. Wait for the list of available WLAN hotspot list;
  - Click the WLAN to be connected. An access password is required if you want to connect to an encrypted network.
- LAN Setting

#### How to download/use Apps

With network connection, you can find and download relevant Apps in the App Store for installation.

#### List of System Preset Software

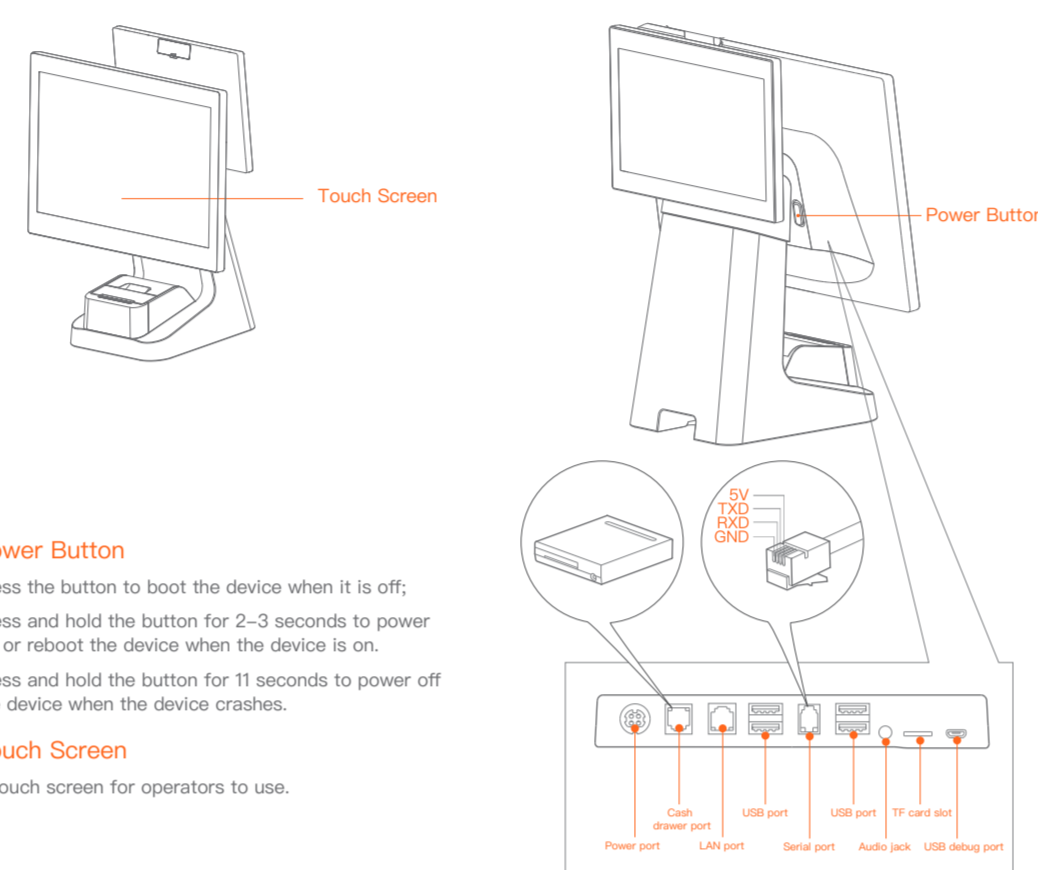
- App Store · Basic Service · Data Service · User Guide · Hardware Steward
- Print Service · User Center · User Feedback · Welcome Guide · Virtual Bluetooth Service
- Public Wi-Fi · Code Scanning SDK · Launcher · OTA · Remote Assistance · iBeacon
- Customization Service (Wallpaper, Boot Animation) · Developer Guide (Debugging Assistant)

For the details of the above software: select "Setting" → "App", and you can select an App to check its detailed information; Uninstall software: select "Setting" → "App" → "App Management" → "Uninstall" to uninstall an App, or you can press and hold the App icon to drag it into the trash can icon to uninstall.

For more helps, please refer to the Help App in the device.

### Introduction to the Device

"Take facial recognition version as an example"



#### Power Button

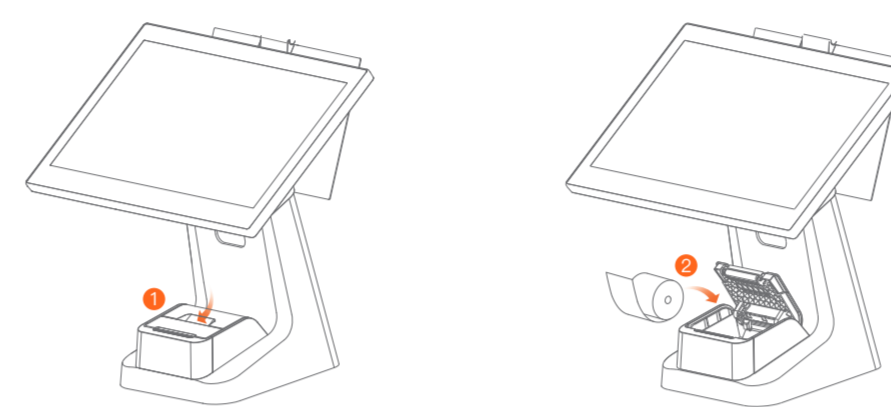
Press the button to boot the device when it is off. Press and hold the button for 2-3 seconds to power off or reboot the device when the device is on.

Press and hold the button for 11 seconds to power off the device when the device crashes.

#### Touch Screen

A touch screen for operators to use.

### Installation



#### Open the paper bin cover

Pull the handle of the printer upward to open the paper bin cover.

#### Fill in the till roll

Fill the till roll (58mm thermal paper) into the bin but keep the paper end out of the bin, and close the bin cover.

#### Power adapter connection

Plug the power adapter into the power port on the back of the device, and plug the other end of the adapter into the AC socket.

#### Note:

L1552 and L3552 are the different printing function, L1552 has printing function, L3552 don't have printing function.

### Common Problems & Troubleshooting

Problem	Solutions
Device crash	Press and hold the power button for 11 seconds to power it off. Press again to boot the device.
Printer breakdown	Check if the paper bin cover has been closed correctly; Check if there is a paper jam.
Blank receipt printed	Check if the till roll is correctly placed; Check if a 58mm thermal till roll has been used.
Blurred receipt printed	Check if the thermal head is clean; if it is contaminated, please clean it with a cotton swab with absolute alcohol; Please use thermal paper with guaranteed quality to avoid blurred receipt printed due to low-quality paper.
Paper output failure	Please check if there is a paper jam. Please close the paper bin cover to check paper output channel and clean the jammed paper if there is a paper jam.

#### Note:

Do not use hard object (tweezer, etc.) when cleaning the printhead or the till roll rubber roller to avoid damaging the printhead and rubber roller.

To extend the service life of the printhead, monthly cleaning printhead and rubber roller is recommended. Please use a cotton swab with absolute alcohol to wipe the thermal head.

For more helps, please visit SUNMI official website as [www.sunmi.com](http://www.sunmi.com).

### Basic Parameters

OS	SUNMI OS 3.0 (based on Android 7.1)
Processor	Cortex-A17, 1.6GHz
Display	15.6" Resolution FHD 1920 x 1080
Memory	8GB ROM + 2GB RAM
Touch Screen	Capacitive multi-touch screen
Wi-Fi	Support 802.11 b/g/n 2.4GHz
Bluetooth	Support Bluetooth 2.1/3.0/4.0
Speaker	3W each; up to 90 dB
External Port	4 × USB type A port, 1 × RJ11 serial port, 1 × RJ12 24V cash drawer port, 1 × RJ45 LAN port, 1 × audio jack, 1 × power port, 1 × Micro-USB debug port, 1 × TF card slot
TF Card	Support MicroSD (TF) up to 64G.
Dimensions	Height: dual displays (with camera) 442mm; dual displays (no camera) 406mm; Single display 383mm; Thickness 209mm; Width 382mm
Printer	58mm-wide printhead, 60mm OD till roll.
Adapter	Input: AC100-240V/1.7A, output: DC24V/2.5A
	Scanner can be connected to this device.

The configurations and parameters of the products launched to the market shall take precedence over the information listed in this page.

### Table of Toxic and Hazardous Substances and Content in this product

Part	Toxic and hazardous substances or elements					
	(Pb)	(Hg)	(Cd)	(Cr(VI))	(PBB)	(PBDE)
Circuit board component	×	○	○	○	○	○
Case component	○	○	○	○	○	○

- : This symbol indicates that the content of this toxic or hazardous substance in all homogeneous material is under the limit specified in the SJ/T11363-2006.
- ×: This symbol indicates that the content of this toxic or hazardous substance in at least one homogeneous material exceeds the limit specified in the SJ/T11363-2006; however, the exceeding toxic or hazardous substance in the part with a "×" cannot be solved for there is no mature technology can be used.

For the product reached or exceeds the environment-friendly use period, please recycle it in accordance with the Pollution Control and Management on Electronic Information Products instead of discard it casually.

### Attentions

#### Cautions

- Please plug the AC power plug into the AC socket which complies to the input marked on the power adapter of the accessory;
- Use in any environment with potential explosive gas is strictly prohibited;
- No one other than professionals shall open the power adapter casually to avoid dangers;
- This device is a class A product and may cause radio jamming in the living environment. Under this circumstance, users need to take practical anti-jamming measures.

#### Battery replacement:

- Using the battery with a wrong model may lead to explosion!
- The battery replaced shall be given to the maintenance staff for handling. Please Do not throw it into fire!

#### Important Safety Reminder

- Do not install or use the device during the weather of thunder and lightning to avoid being hit by thunder and lightning;
- Please cut off the power supply immediately when you find a suspicious smell, overheated device or smoke!

#### Suggestions

- Do not use the device close to water or in moist environment to prevent liquid from getting inside the device;
- Do not use the device in extremely cold or hot environment. For example, do not use the device close to fire or lit cigarette;
- Do not drop, throw or bend the device;
- Use the device in clean environment to prevent small items from getting inside the device;
- Do not use the device close to medical facilities without permission.

#### Declaration

Our company is not responsible for the following actions:

- Damages caused by the usage or maintenance which are not in accordance with the user guide;
- Damages or problems caused by options or consumables (not provided or approved by our company);
- Modifying or changing the product without our company's permission is not allowed;
- The OS of the product can be updated with update ROM released officially by our company. If users use a third-party ROM system to update or crack and change the system file, the system may be unstable and will bring safety risks and threats.

#### Disclaimer

Due to the updates of products, the details listed in this guide might be different from the products, and the products shall take precedence. Our company reserves the right to interpret this guide as well as the right to amend this guide without prior notice.

### Package Items List

- Device × 1
- User Guide × 1 (includes package items list, product warranty card, product certificate of approval)
- Power Adapter × 1
- Thermal till roll × 1

### Applicable Scenarios

Indoor scenarios: in-store checkout, order taking, settlement, inventory, etc.

### Target Users

Merchants and customers.

### Functions

In-store ordering, checkout and receipt printing, etc.

This product contains a button cell battery. If the button cell battery is swallowed, it can cause severe internal burns in just 2 hours and can lead to death.

Keep new and used batteries away from children.

If the battery compartment does not close securely, stop using the product and keep it away from children.

If you think batteries might have been swallowed or placed inside any part of the body, seek immediate medical attention.

#### FCC Statement

Any Changes or modifications not expressly approved by the party responsible for compliance could void the user's authority to operate the equipment. This device complies with part 15 of the FCC Rules. Operation is subject to the following two conditions: (1) This device may not cause harmful interference. (2) This device must accept any interference received, including interference that may cause undesired operation.

#### FCC Radiation Exposure Statement:

This equipment complies with FCC radiation exposure limits set forth for an uncontrolled environment. This equipment should be installed and operated with minimum distance 20cm between the radiofrequency body.

Note: This equipment has been tested and found to comply with the limits for a Class B digital device, pursuant to part 15 of the FCC Rules. These limits are designed to provide reasonable protection against harmful interference in a residential installation. This equipment generates noise and can radiate radio frequency energy and, if not installed and used in accordance with the instructions, may cause harmful interference to radio communications. However, there is no guarantee that interference will not occur in a particular installation. If this equipment does cause harmful interference to radio or television reception, which can be determined by turning the equipment off and on, the user is encouraged to try to correct the interference by one or more of the following measures:

- Reorient or relocate the receiving antenna.
- Increase the separation between the equipment and receiver.
- Connect the equipment into an outlet on a circuit different from that to which the receiver is connected.
- Consult the dealer or an experienced radio/TV technician for help.

### POS System

Cash Register  
User Guide