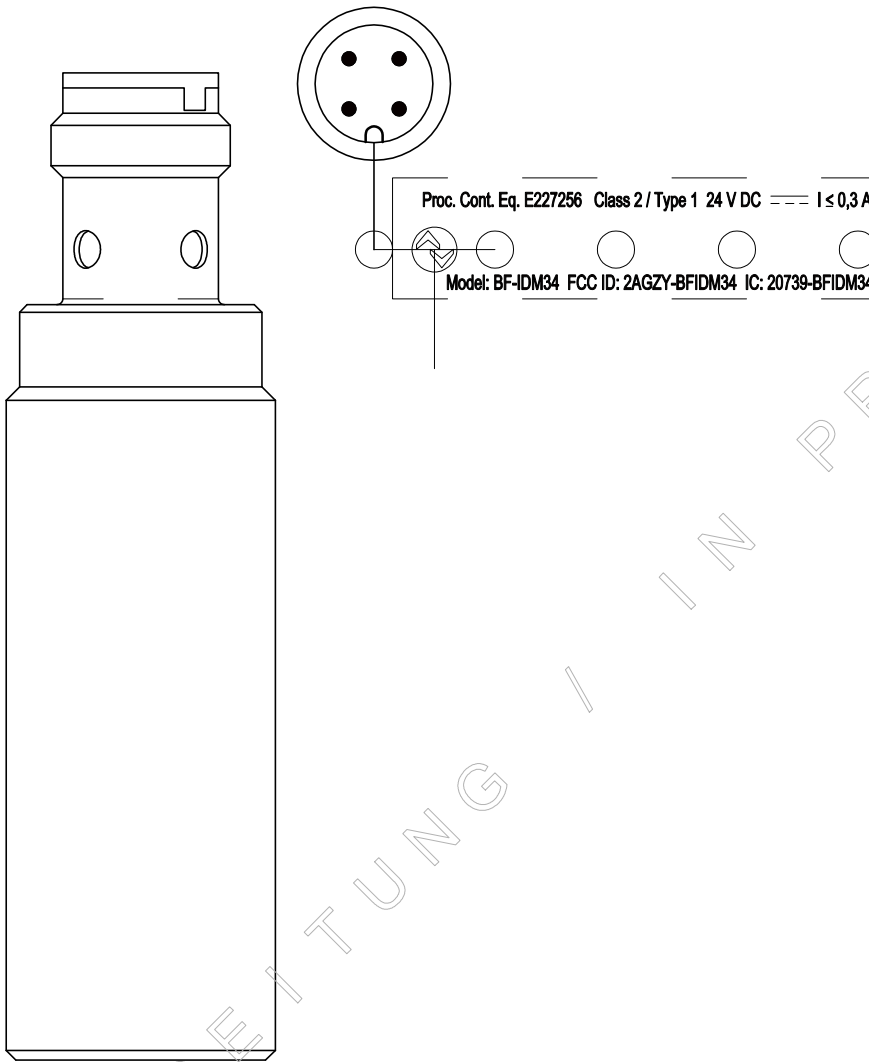


The reproduction, distribution and utilization of this document as well as the communication of its contents to others without explicit authorization is prohibited. Offenders will be held liable for the payment of damages. All rights reserved in the event of the grant of a patent, utility model or design.



948112-113
02.Pre-Series

				Dimensions Without Tolerances	Tolerances ISO 8015	Scale	2:1	Units	mm	Group No.	0113
				DIN ISO 2768-mH		Material					
						Finish					
						Part Description	<p style="text-align: center;">LASER-SCHRIFT BIS M-4A6-..-S4 SMALL Ø</p>				
				Date	Name						
				Drawn	2020-07-06	IVASI					
				Modif.	2021-02-23	SCHWED	<p style="text-align: center;">Drawing No. 948112</p>				
				Apprv.	DBW	DBW					
				BALLUFF		Replaces: -				Page	1/1
				www.balluff.de							
				Neuhausen a.d.F. · Germany							

DE5				
1				
2				
3				
4				
X 5	02	Pre-Series	2021-02-23	IVASI
	01	Pre-Series	2020-11-13	IVASI
C	00	SAP check in	2020-10-30	IVASI
S	Ver.	ECN	Date	Name