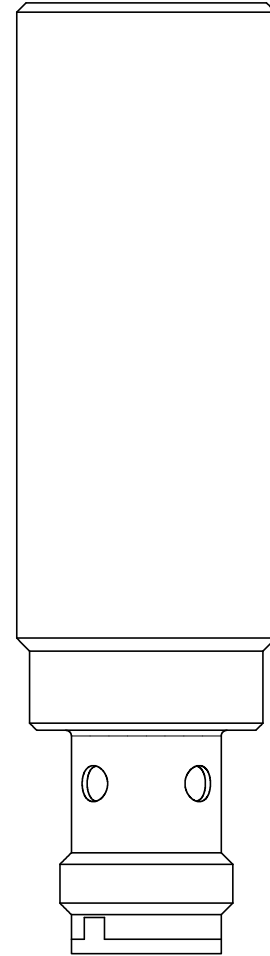
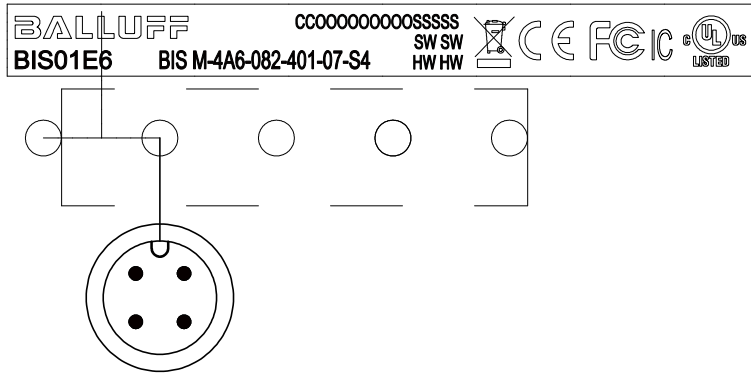


The reproduction, distribution and utilization of this document as well as the communication of its contents to others without explicit authorization is prohibited. Offenders will be held liable for the payment of damages. All rights reserved in the event of the grant of a patent, utility model or design.



948113-113
01.Pre-Series

BISXXXX - Bestellcode / order code

BIS XXX-XXX-XXX-XXX-XX - Produktbezeichnung / product name

CCOOOOOOOO SSSSS - Seriennummer / serial number according to: CD-T 1012

SW SW - Software-Version eintragen / enter

HW HW - Hardware-Version eintragen / enter

				Dimensions Without Tolerances	Tolerances ISO 8015	Scale	2:1	Units	mm	Group No.	0113	
				DIN ISO 2768-mH		Material						
						Finish						
DE5						Part Description	LASER-SCHRIFT BIS M-4A6-..-S4 BIG Ø					
	1			Drawn	2020-07-06	IVASI						
	2			Modif.	2021-04-09	SCHWED						
	3			Apprv.	DBW	DBW						
	4											
X	5	01	Pre-Series	2021-04-09	IVASI	Drawing No.	948113				Page	1/1
	C	00	SAP check in	2020-10-30	IVASI							
	S	Ver.	ECN	Date	Name	BALLUFF www.balluff.de Neuhausen a.d.F. · Germany					Replaces:	-