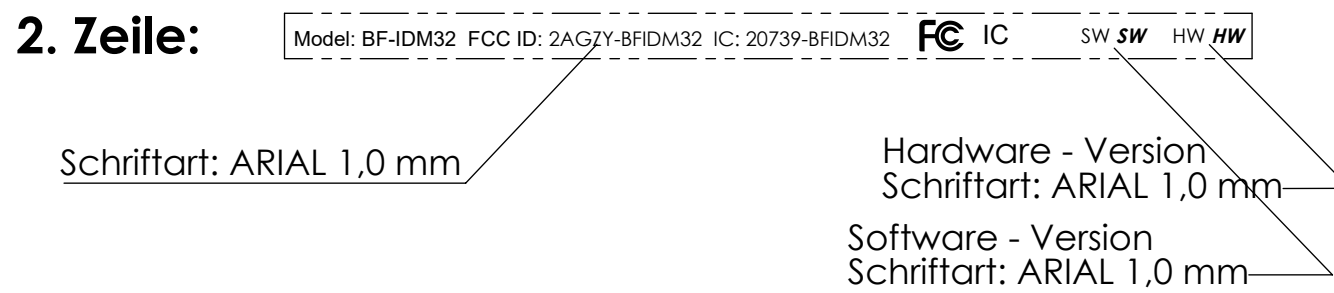
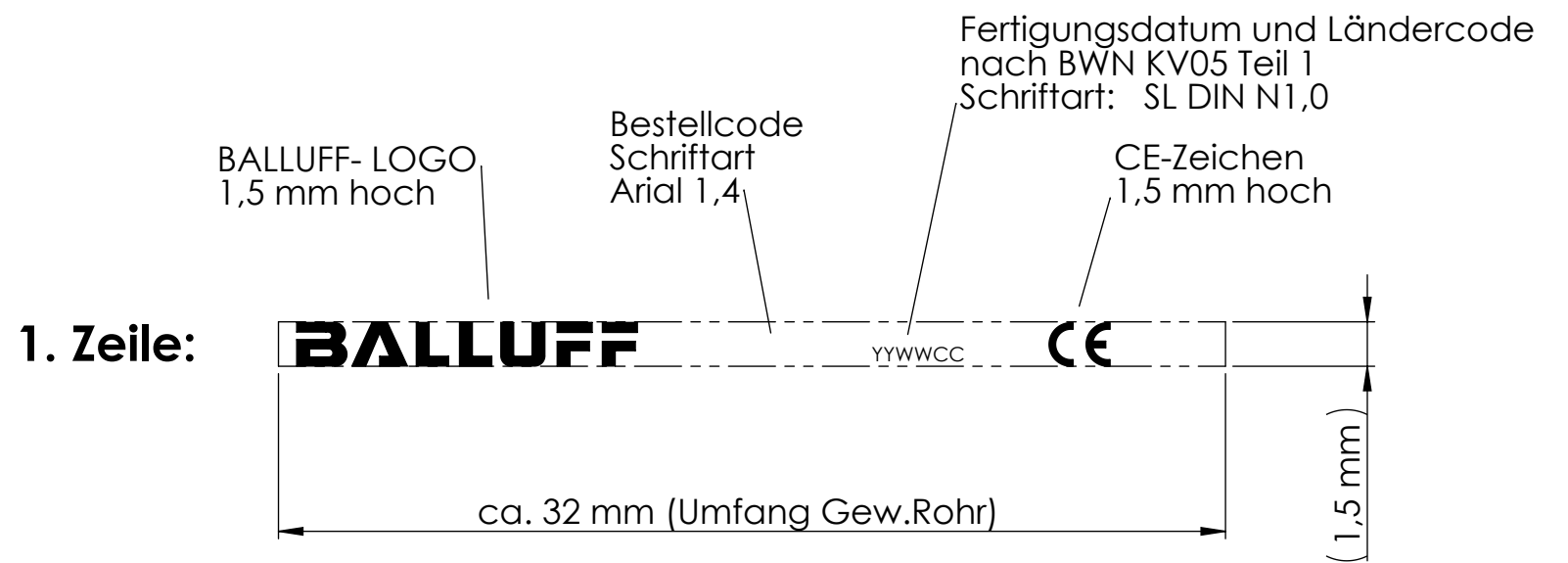
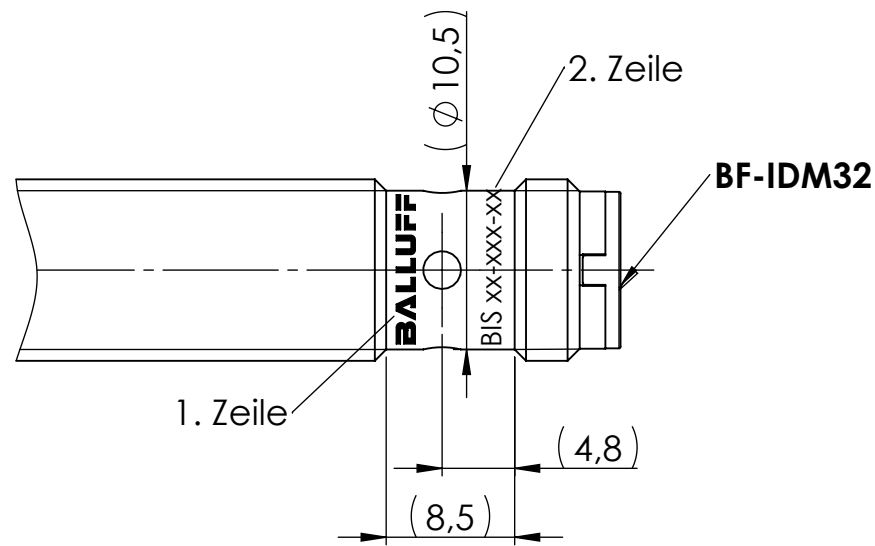


The reproduction, distribution and utilization of this document as well as the communication of its contents to others without explicit authorization is prohibited. Offenders will be held liable for the payment of damages. All rights reserved in the event of the grant of a patent, utility model or design.



"BZZZZZ", "YYWWCC", "**SW**" und "**HW**" sind Variable, die beim Lasern eingegeben werden müssen!  
Bei "**SW**" die Software - Version und bei "**HW**" die Hardware - Version eintragen.

	1
	2
	3
	4
X	5
	C
	S

Drawing File: 937638.SLDDRW				Solid File: 921809 LASER-SCHRIFT BIS M12_M18_M30-D105 S04.SLDASM				Solid Version: 00	
Dimensions Without Tolerances		Tolerances ISO 8015		Scale	2:1	Units	mm	Group No.	0113
				Material					
				Finish					
				Date	Name	Part Description			
				Drawn	2018-07-02	LASER-SCHRIFT			
				Modif.	2018-07-12	BF-IDM32			
				Ver. 00					
				Apprv.	2018-07-12				
				<b>BALLUFF</b>		Drawing No.			
00	SAP check in	2018-07-12	GUIRAV	<b>www.balluff.de</b>				Sheet 1 of 1	
Ver.	ECN	Ver. Creat.	Name	Neuhausen a.d.F. · Germany		Replaces			