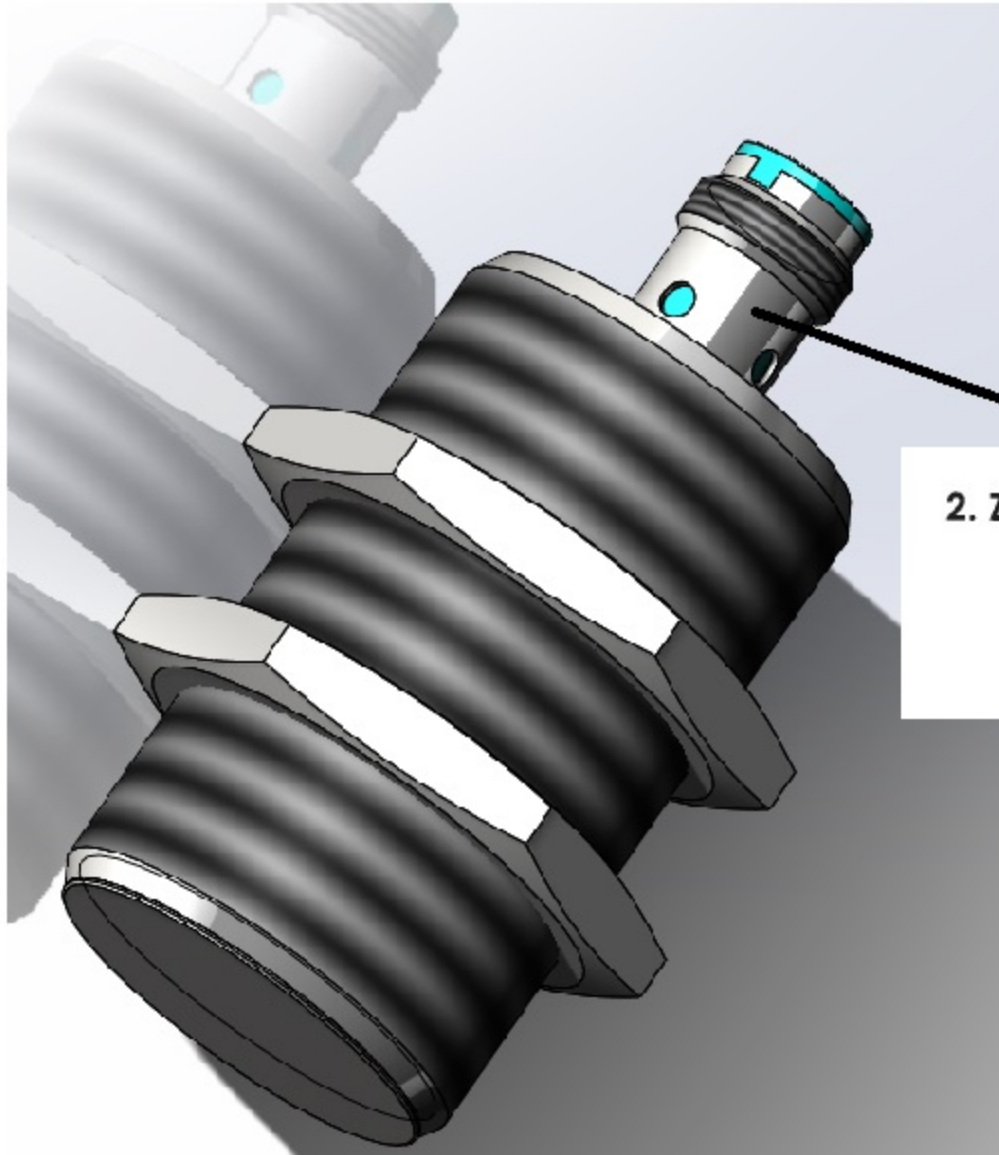


BF-IDM27



Model: BF-IDM27 FCC ID: 2AGZY-BFIDM27 IC: 20739-BFIDM27

2. Zeile:

Model: BF-IDM27 FCC ID: 2AGZY-BFIDM27 IC: 20739-BFIDM27 **FC** IC SW SW HW HW

Schriftart: ARIAL 1,0 mm

Hardware - Version
Schriftart: ARIAL 1,0 mm

Software - Version
Schriftart: ARIAL 1,0 mm

Laser-Schrift