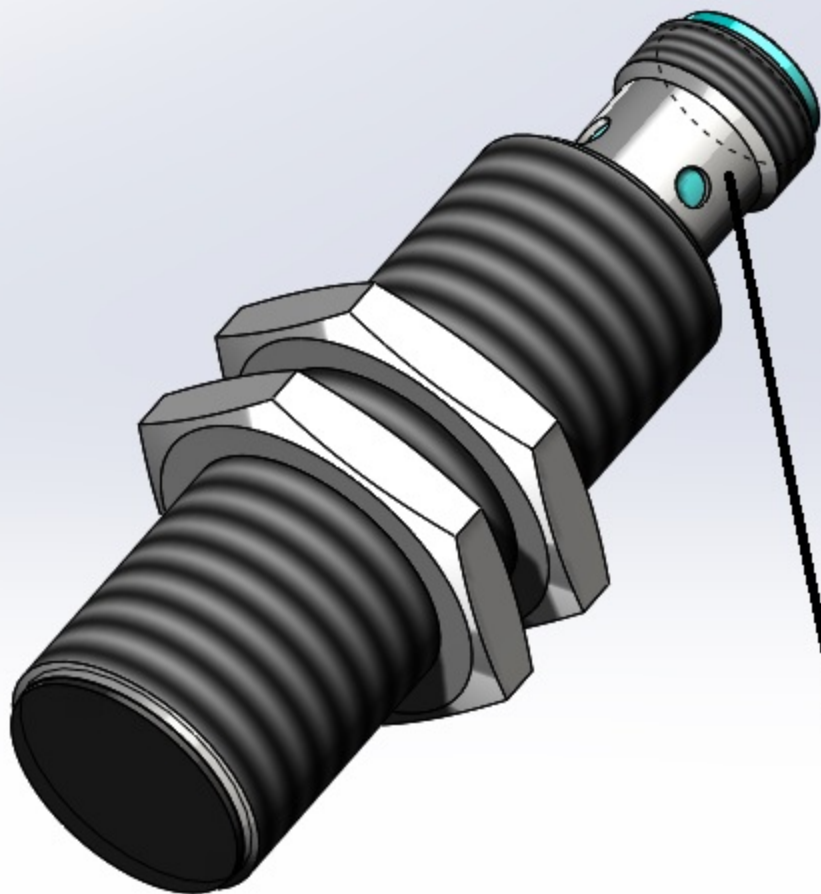


BF-IDM26



Laser-Schrift

2. Zeile:



Model: BF-IDM26 FCC ID: 2AGZY-BFIDM26 IC: 20739-BFIDM26

Model: BF-IDM26 FCC ID: 2AGZY-BFIDM26 IC: 20739-BFIDM26 **FC** IC SW HW

Schriftart: ARIAL 1,0 mm

Hardware - Version
Schriftart: ARIAL 1,0 mm

Software - Version
Schriftart: ARIAL 1,0 mm