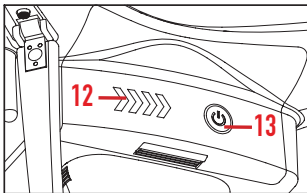
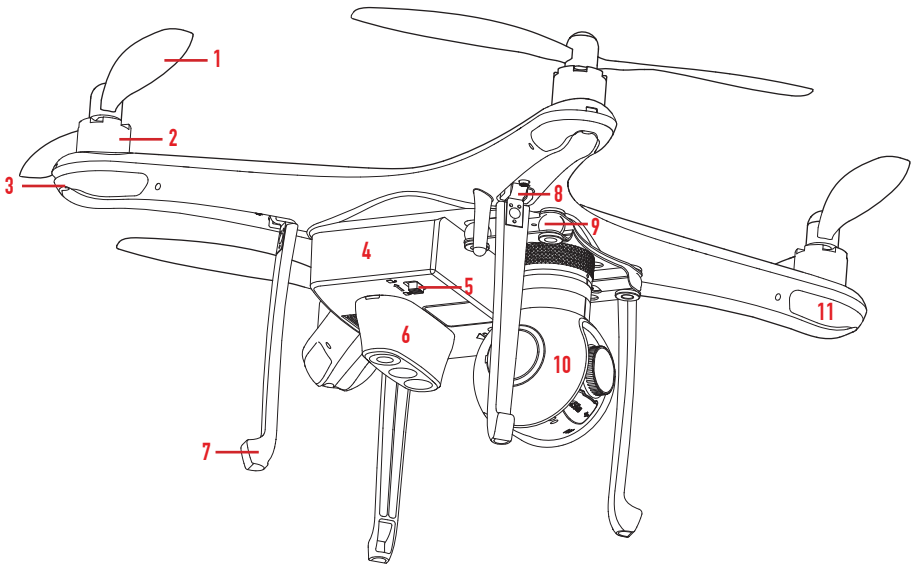


The background of the page is white with several thick, dark grey curved lines that sweep across the frame from the top and bottom edges towards the center, creating a sense of motion and depth.

QUICK-START GUIDE
CONDOR ELITE
AEEDRONES»

CONDOR ELITE AIRCRAFT

Welcome to the exciting world of unmanned aircraft and aerial imaging! Get to know your new Condor Elite aircraft with this Quick Start Guide. The Condor is a state of the art piece of digital imaging equipment outfitted with a camera that records video at up to 4K resolution and captures 16 megapixel photos. Review the contents of this guide for a full list of your Condor's features and commands.



**Back of the Battery

- | | |
|--------------------------------------|--------------------------------------|
| 1) Propeller(s) | 8) Landing Gear Button(s) |
| 2) Electric Motor(s) | 9) Gimbal Shock Absorber(s) |
| 3) Rear Propeller Arm LED Light(s) | 10) 3-Axis Gimbal Camera |
| 4) Drone Battery | 11) Front Propeller Arm LED Light(s) |
| 5) Battery Lock | 12) Power LED Light(s) |
| 6) Optical Visual Positioning Module | 13) Power Switch |
| 7) Landing Gear(s) | |

Note:

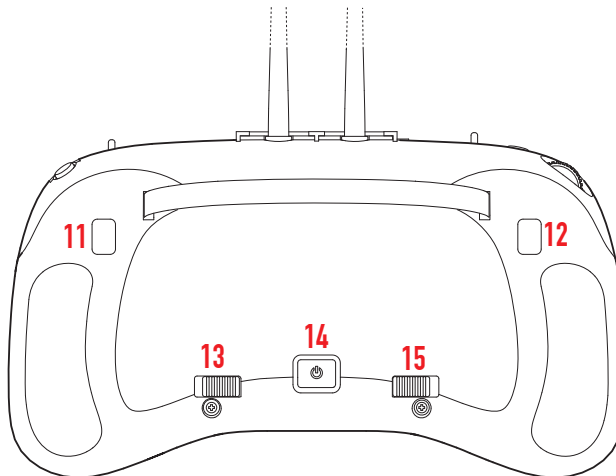
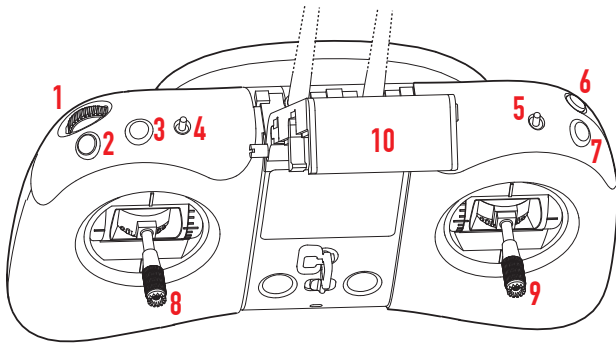
Optical Visual Positioning Module is optional part according to the choice of purchase.

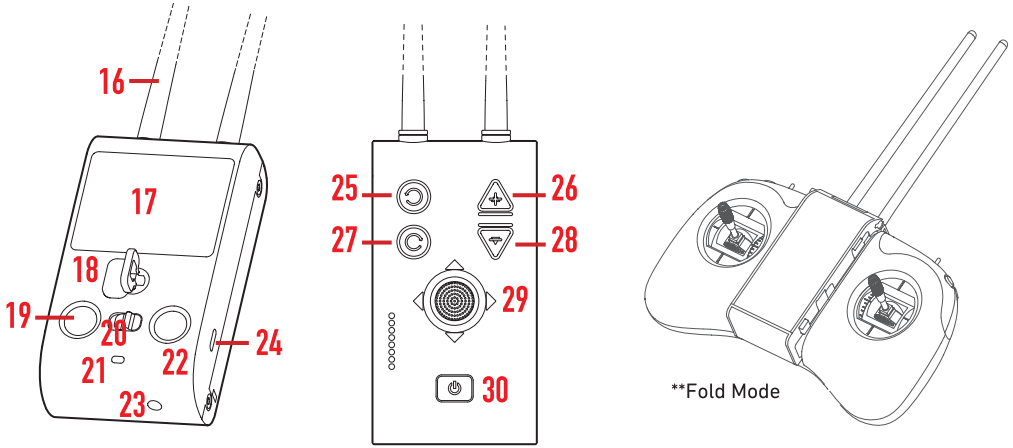
CONDOR ELITE REMOTE CONTROL

The Condor Elite features a sophisticated modular remote control transmitter that can separate quickly and easily to better fit the current task at hand.

Mobile Command and Control Module

The Mobile Command and Control (MCC) Module is the removable section of the Condor remote control transmitter that allows for greater operational versatility. Easily ditch the large bulky transmitter for the convenient MCC Module when hands free operation is needed. Utilize the Condor's intelligent flight modes for true hands free intuitive flight. The MCC Module's integrated flight control system allows for easy landing, take off, and manual flight without the size and weight of a traditional remote control system.





- | | | |
|----------------------------------|----------------------------------|---|
| 1) Adjusting Knob | 12) Hook Switch | 23) Remote Control Recharge Port |
| 2) Camera Photo Button | 13) MCC Module Lock A | 24) Remote Control Recharge Port |
| 3) Landing Gear Control Button | 14) Power Button | 25) Aircraft Yaw Left |
| 4) Toggle switch1 (Speed Switch) | 15) Repeater Latch | 26) Increase Aircraft Altitude |
| 5) Toggle switch2 (Mode Switch) | 16) Antenna | 27) Aircraft Yaw Right |
| 6) Home Point Lock | 17) LCD Display | 28) Decrease Aircraft Altitude |
| 7) Camera Video Record Button | 18) Lanyard Mount | 29) Move Aircraft (Forward / Backward / Left / Right) |
| 8) Left Control Stick | 19) Take-Off / Landing Button | 30) Power Switch |
| 9) Right Control Stick | 20) Follow-Me Flight Mode Switch | |
| 10) Mobile Device Holder | 21) Power Indicator | |
| 11) Customizable Button | 22) Return-To-Home (RTH) Button | |

Note:

- 1) Landing Gear can work only for "Auto Landing Gear" version.
- 2) Hook switch can work only when hook is assembled installed.

Left Control Stick	Aircraft Motion	Right Control Stick	Aircraft Motion

Note:

This is the factory recommended default control setting.

MOBILE APPLICATION INSTALLATION

Scan the QR code below to be taken to the application download screen directly. Or you can search for the application (AEE ZONE) on either Google Play or Apple iOS App Store.




Please note, for Android users your device system version needs to be 4.0 and above. For iOS users system version needs to be 8.0 and above. *AEE mobile application will continue to be updated for more features and compatibility with additional devices.

Please read this entire Quick Start Guide before attempting your first flight. You can also download a more comprehensive "User's Manual" from en.aee.com, de.aee.com or www.aeeusa.com.


MOBILE APPLICATION INTERFACE

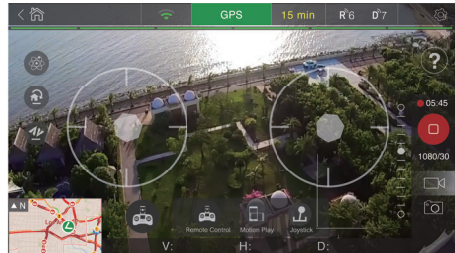
The Condor aircraft can be controlled with a mobile device via the AEE mobile application. Take-off, landing, follow-me, and other movements can all be done with the mobile application. No remote control transmitter is needed if you wish to operate the Condor solely with your mobile device.

1) Virtual Control Stick Flight Mode

Press the stick icon  to into Virtual Control Stick Flight Mode. Aircraft can be operated by manipulating the virtual controls through the touch screen of your mobile device.

2) Motion Control Flight Mode

Press the phone icon  to into Motion Control Mode. While operating the aircraft under this control mode, the aircraft is controlled by tilting your mobile device to control the aircraft's flight. The Condor will move based on the movement input from your mobile device.

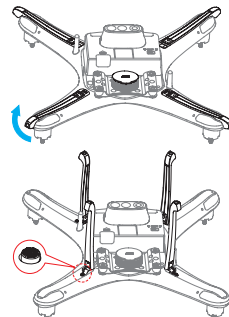


Note:

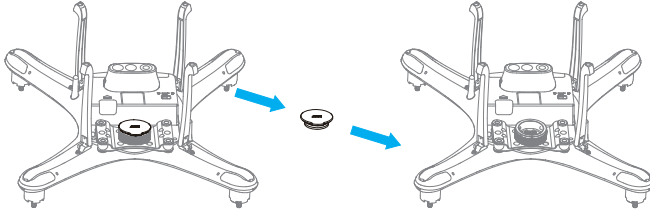
Virtual Control Stick and Motion Control Flight Modes are made for use with smart phone and tablet devices.

LANDING GEAR AND CAMERA INSTALLATION

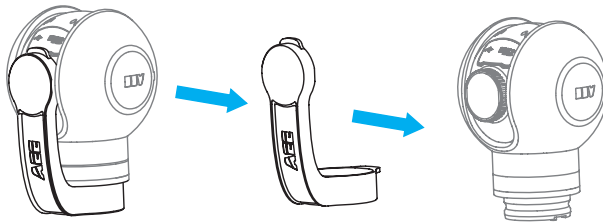
- To manually deploy and retract the landing gear:
 - To deploy using your hand, gently pull the landing gear down until you hear a "click" sound confirming that the landing gear has locked into the deployed position.
 - To manually retract the landing gear push and hold the small circular button detailed in the image below, once button has been depressed you can use your hand to retract the landing gear by easing it into the aircraft body.



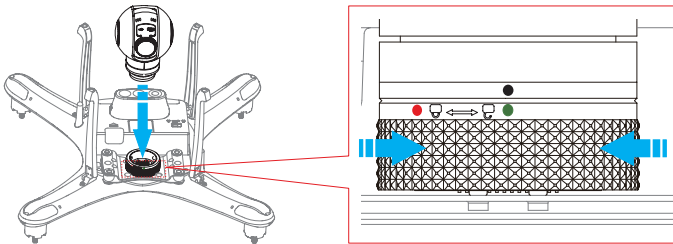
- Remove gimbal silicone guard.



- Gently pull back on the gimbal guard until the camera and gimbal assembly are free.



- To mount the Gimbal and Camera onto the aircraft, first line up the camera and aircraft as shown in figure on the left below, insert the gimbal camera into the specified slot and then turn the mounting ring until it clicks into the locked position as shown in figure on the right below.



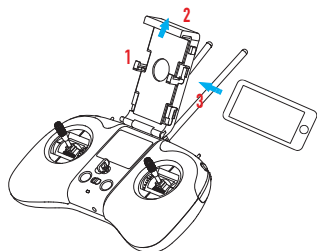
- camera get through remote controller or APP process video recording and photo capture;
- USB port is internal software debugging interface.

Note:

Ensure the Micro SD card is properly loaded before photo capture and video recording.

REMOTE CONTROL FLIGHT PREPARATION

1. Fix the mobile device onto Remote control.

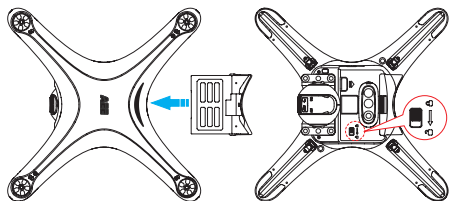


2. It is recommended that toggle switch should be at the position as below before first flight. Then Power on the remote control.



AIRCRAFT BATTERY INSTALLATION

Insert the battery into the Condor aircraft battery compartment in the correct orientation. Make sure the battery is fully seated and locked into place.



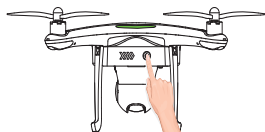
Note:

1. Push the battery into the battery compartment in the correct direction. After the battery is properly installed, a "click" sound will be heard, indicating that the battery has been fastened.
2. Please check battery power before every flight. You should start every flight with a fully charged battery.

Danger: If the battery is not fully locked into place during operation there is a chance the power will disconnect from the aircraft causing catastrophic failure.

POWERING ON YOUR CONDOR AIRCRAFT

Place the aircraft on a flat surface with the tail lights facing you, push and hold the power switch to turn on the aircraft.



The table on the right is a partial explanation of the Propeller Arm indicator lights and their blink patterns. For detailed explanation for all indicator lights, please refer to the User Manual available for download on en.aee.com, de.aee.com or www.aeeusa.com.

Aircraft Status	Tailight (Green)	Front Propeller Light (White)	Rear Propeller Light (Red/Green/Blue)
Warming Up	Off	On (Solid)	Off
Powered On	On (Solid)	On (Solid)	Red / Green / Blue Depending on current Flight Mode
GPS Flight Mode	On (Solid)	On (Solid)	Green (Solid)
NORMAL Flight Mode	On (Solid)	On (Solid)	Yellow (Solid)
Visual Positioning Flight Mode	On (Solid)	On (Solid)	Blue (Solid)
Low Battery Warning	On (Slow Flash)	Low Power alarm:slow flash Severe Low Power alarm:fast flash	1st Level low battery alarm:Red light slow flash 2nd level low battery alarm:Red light fast flash
System Abnormal	On (Slow Flash)	On (Front and Rear Alternating Flash)	

CONNECTING YOUR AIRCRAFT TO THE APP

The Remote control and aircraft are paired before delivery. The steps for connecting aircraft to app are below.

1. Power on the Remote control and aircraft.
2. Enter settings interface of the mobile device. Enable Wi-Fi of the mobile device.
3. Select "AEE_CONDOR" from the Wi-Fi list.
4. Enter the password (00000000)
5. Open the app named AEE ZONE.
6. Enter the interface of app. Choose the model. Select the control mode(phone control mode or remote control mode).

COMPASS CALIBRATION

It is necessary to calibrate the compass before flight when you change flight locations. Changing flight locations does interfere with the compass' accuracy affecting flight stability and safety, therefore please calibrate the compass before flight when you change flight locations to get the best performance out of your Condor aircraft. Follow the below procedures to calibrate the compass.

First, put the left stick down to the end. At the minetime,Switch the button(Return-to-Home) for 6 times, and put the mode switch to "N" position .Then the LCD Display will show the next step.

Toggle the joysticks to the position as shown above figure,The LCD Display will show the next step.

<p>Rotate Aircraft 360° horizontally (2 turns),The LCD Display will show the next step.</p>	<p>Rotate Aircraft 360° vertically 2 turns (Nose down),The LCD Display will show the next step.</p>	<p>Rotate the aircraft vertically (nose left ward) several turns. The LCD Display will show that calibration procedure complete.</p>

Note:

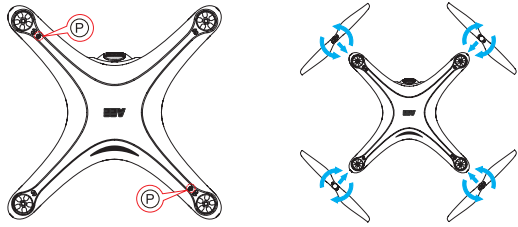
- 1) Must after the aircraft powers on (about 20 seconds) ,calibration can be started.
- 2) If calibration failes, the compass should be recalibrated.

Note: Please calibrate the compass outdoors away from large metal structures or areas with strong magnetic fields. When calibrating remove any magnetic material from your pockets and the surrounding area.

INSTALLING THE PROPELLERS

Attach propellers with "P" to motor shafts with "P" marks on arm, and attach propellers without "P" to motor shafts without "P" marks on arm. Tighten propellers as per the appropriate locking direction.

Please see the images below on how to install the propellers onto the Condor aircraft. The gray propellers are mounted by screwing them onto the motor in a clockwise direction; the black propellers are mounted by screwing them onto the motor in a counter-clockwise direction. (Motors for the black propellers will have a "P" mark on the propeller arm.)



Note:

The Condor aircraft propellers are a self-tightening design, please do not use glue or other adhesives to mount the propellers.

Note: Make sure that the propellers are mounted securely and is twisted to the base of the motor threads. (Do not over-tighten, a snug fit is recommended)

Warning: Never touch the propeller blades while they are in motion to avoid injury.

TAKE-OFF AND LANDING

METHOD 1: MOBILE APP CONTROL

Take-Off:

1. With a fully charged battery, placed the aircraft on a flat even surface with the taillight facing you.
2. Connect your mobile device to the aircraft's wifi network
3. Once successfully connected tap the "Take-Off" button on the mobile application interface and the Condor will automatically take-off from its current position and hover at a height of 1 meter from the ground.
4. After take-off you can operate the aircraft with the built-in virtual controls within the AEE mobile application.

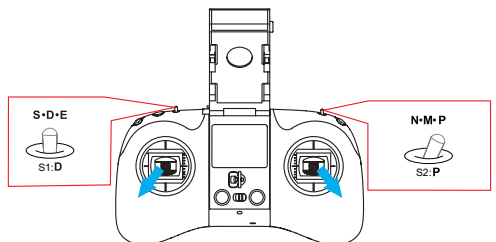
Landing:

1. Within the mobile application tap the "Land Aircraft" button and the aircraft will slowly reduce altitude until the landing gear touches the ground.
2. The Condor's motors will automatically turn off 3 seconds after a successful landing.
3. Power off the aircraft and then the mobile application.
4. Unlock the battery and remove from the battery compartment.

METHOD 2: Remote Control

Take-Off:

1. With a fully charged battery, placed the aircraft on a flat even surface with the taillight facing you.
2. Power on the remote control and then power on the aircraft. Connect your mobile device to the aircraft's wifi network.
3. It is recommended to fly with the Speed Switch (D position) set to the "D" position and Mode Switch (P position) set to the "P" position.
4. To start the motors initiate the Command-Stick-Command (CSC) down and out (as shown in picture below).



5. Gently raise the left control stick to increase the altitude of the Condor.

Note:

For additional details regarding flight, please refer to the Condor's user manual.

While in GPS mode the motors will not be able to start without the minimum GPS satellite connections. Once enough satellites have been acquired the taillight will turn a solid green indicating that the aircraft is ready to fly.

Landing:

1. Gently pull down on the left control stick to decrease the altitude of the Condor until the landing gears touch the ground.
2. Once the aircraft has landed, pull and hold the left control stick to its lowest position for 3 seconds, the aircraft motors will stop turning.
3. Power off the aircraft and then power off the remote control.
4. Unlock the battery and remove from the battery compartment.

Note:

Never initiate the Command-Stick-Command (CSC) down and out while aircraft is mid-air, this will shut off the motors causing the aircraft to fall from the sky resulting in catastrophic damage.

FCC WARNING

This device complies with Part 15 of the FCC Rules. Operation is subject to the following two conditions:

1. This device may not cause harmful interference, and
2. This device must accept any interference received, including interference that may cause undesired operation.

Note: This equipment has been tested and found to comply with the limits for a Class B digital device, pursuant to part 15 of the FCC Rules. These limits are designed to provide reasonable protection against harmful interference in a residential installation. This equipment generates, uses and can radiate radio frequency energy and, if not installed and used in accordance with the instructions, may cause harmful interference to radio communications. However, there is no guarantee that interference will not occur in a particular installation. If this equipment does cause harmful interference to radio or television reception, which can be determined by turning the equipment off and on, the user is encouraged to try to correct the interference by one or more of the following measures:

- Reorient or relocate the receiving antenna.
- Increase the separation between the equipment and receiver.
- Connect the equipment into an outlet on a circuit different from that to which the receiver is connected.
- Consult the dealer or an experienced radio/TV technician for help.

Caution: Any changes or modifications not expressly approved by the party responsible for compliance could void the user's authority to operate this equipment.

RF Exposure: A distance of 20 cm shall be maintained between the antenna and users, and the transmitter may not be co-located with any other transmitter or antenna.

AEE COMMUNITY >>



EXPLORE THE WORLD WITH US

sign up now on:

aee-community.com

EUROPE

AEE Technology GmbH | Zeppelinstrasse 4
85399 Hallbergmoos, Germany
europeservice@aee.com
+49 6251 98 56 080

>> AEE.COM

USA & NORTH AMERICA

AEE TECHNOLOGY INC. | 661 Brea Canyon Rd
Suite 6 Walnut, CA 91789
usatechsupport@aee.com | www.aee.com
+1 877-414-7993

>> AEE.COM

CHINA & GLOBAL

Shenzhen AEE Aviation Technology Co., Ltd.
AEE Hi-Tech Park, Tangtou Crossroads,
Shiyan, Bao'an District, Shenzhen, P.R.C.
service@aee.com

>> AEE.COM