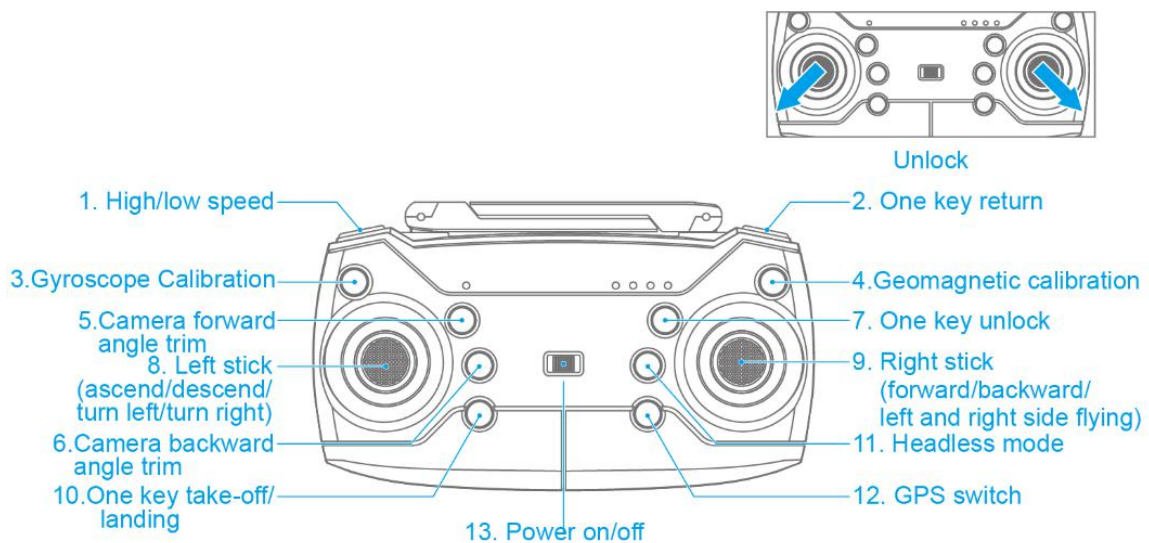


# Instruction Manual



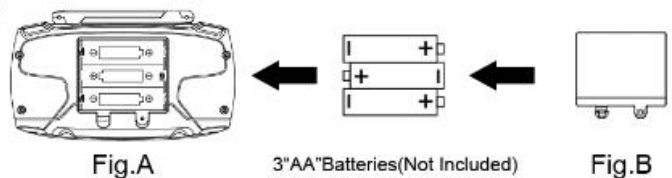
## Remote Control Function Keys and Description



Serial Number	Function keys / Names	Function / Effect
1	High/low speed	Adjust the aircraft left / right / forward / backward / left / right side fly speed.
2	One key return	Touch this key, the drone will be in accordance with the original operation of the flight path backtrack after the automatic landing to the ground.
3	Calibration of gyroscope	Drone on the horizontal position, press the button for 5 seconds, the UAV flash, indicating that the calibration was successful.
4	Calibration of geomagnetic	Press and hold the button for 5 seconds, the drone blinker body flash, then the UAV picked up the horizontal and vertical directions of the full 360 ° rotate 3 turns, turn the fuselage LED lights into a flash or often On, the calibration is successful.
5	Camera forward angle trim	Touch this key to drive the camera angle to the front.
6	Camera backward angle trim	Touch this button to drive the camera angle to the rear.
7	One key unlock	Touch this key to start the aircraft motor, which can perform up and down operations.
8	Left stick	Up/down, left/right turn.
9	Right stick	Forward/backward, left/right.
10	One key take-off/landing	Unlock the state, touch this button, the aircraft rose a certain height, the normal flight state, and then touch this button, the aircraft landing slowly.
11	Headless mode	Touch this button, the drone can operate without recognizing the direction, and then touch the cancel function.
12	GPS switch	Touch shut down the GPS function, the remote control will send "Di"; then touched open the GPS function, the remote control will send the "Di~Di".
13	Power ON/OFF	Unmanned aerial vehicle on level ground and turn on the power, lights flash when the fuselage and then power on the remote control, heard the sound drop the remote control, the fuselage into a slow flash on the success.

## Remote Control Battery Installation

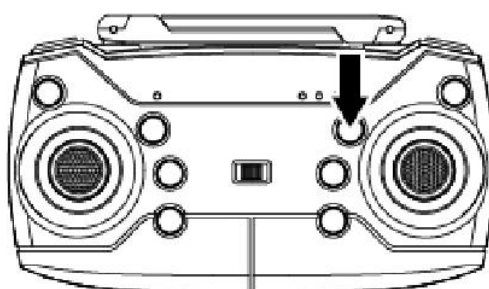
- 1.Remove the battery cover from the back of controller (Fig. A)
- 2.Install 3 "AA" batteries into the controller, make sure to install batteries to their correct polarity. (Fig. B)  
Do not mix old and new batteries or battery types.
- 3.Replace the battery cover



## Function Operation Instruction

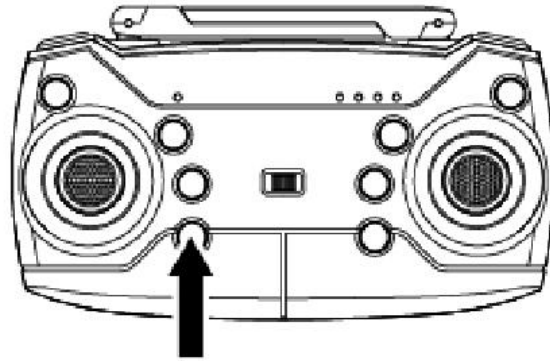
### 1.Drone unlock

The drone starts need to be unlocked.Pressing the one key unlock button,when four propellers rotate at the same speed,it means the unlock is sucessfull.



## 2. One key taking-off and landing

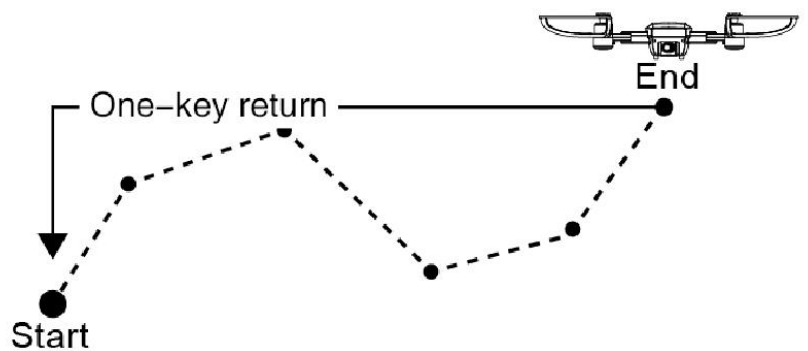
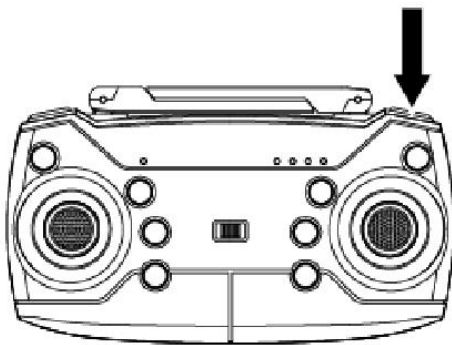
When unlock completes, pressing one key taking-off and landing button, the drone will ascend. While pressing again, the drone will automatically land.



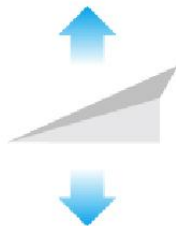
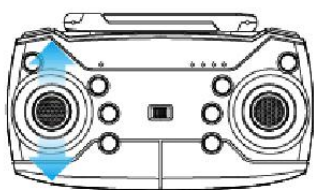
## 3. One key return

When the drone flies, pressing one key return button, the drone will fly back.

Notice: Led lights are slowly flashing when drone flies, it means the power is not enough. Once the drone is out of power, the aircraft will automatically enter the return mode and fly back to the original route.

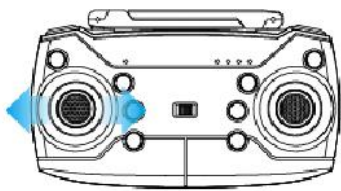


Control Method

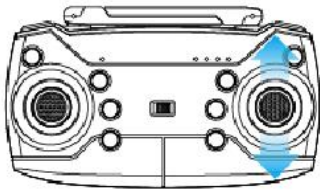


When the left joystick (throttle) is pushed upward, the main wind blade speed increases and the drone rises.

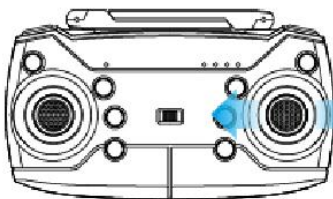
When the left joystick (throttle) is pushed down, the main wind blade speed slows down and the aircraft drops.



When the left/right lever (rudder) is pushed to the left/right, the orbiter heads to the left/right.



When the right lever (rudder) pushes up/down, the vehicle moves forward/back.



When the right lever (rudder) is pushed to the left/right, the aircraft fuselage is tilted to the left/right.

### FCC Warning:

Changes or modifications not expressly approved by the party responsible for compliance could void the user's authority to operate the equipment. This equipment has been tested and found to comply with the limits for a Class B digital device, pursuant to Part 15 of the FCC Rules. These limits are designed to provide reasonable protection against harmful interference in a residential installation. This equipment generates uses and can radiate radio frequency energy and, if not installed and used in accordance with the instructions, may cause harmful interference to radio communications. However, there is no guarantee that interference will not occur in a particular installation. If this equipment does cause harmful interference to radio or television reception, which can be determined by turning the equipment off and on, the user is encouraged to try to correct the interference by one or more of the following measures:

- - Reorient or relocate the receiving antenna.
- - Increase the separation between the equipment and receiver.
- - Connect the equipment into an outlet on a circuit different from that to which the receiver is connected.
- - Consult the dealer or an experienced radio/TV technician for help.