

Dongzhen Electronics Co., Ltd

Antenna Specification for Approval

Customer Name: Wandi Electronics

Product Name: 2.4G antenna

Part NO. : 19PIN*0.12*1.4PVC

Write By: Mr. zhou

Issued Date: 2023-05-10

Address of Manufacturer: 4 / F, Shangpin Technology Building,
Nanlong Street, Jinfeng Residential Committee, Xincuo Liao,
Longhu District, Shantou City

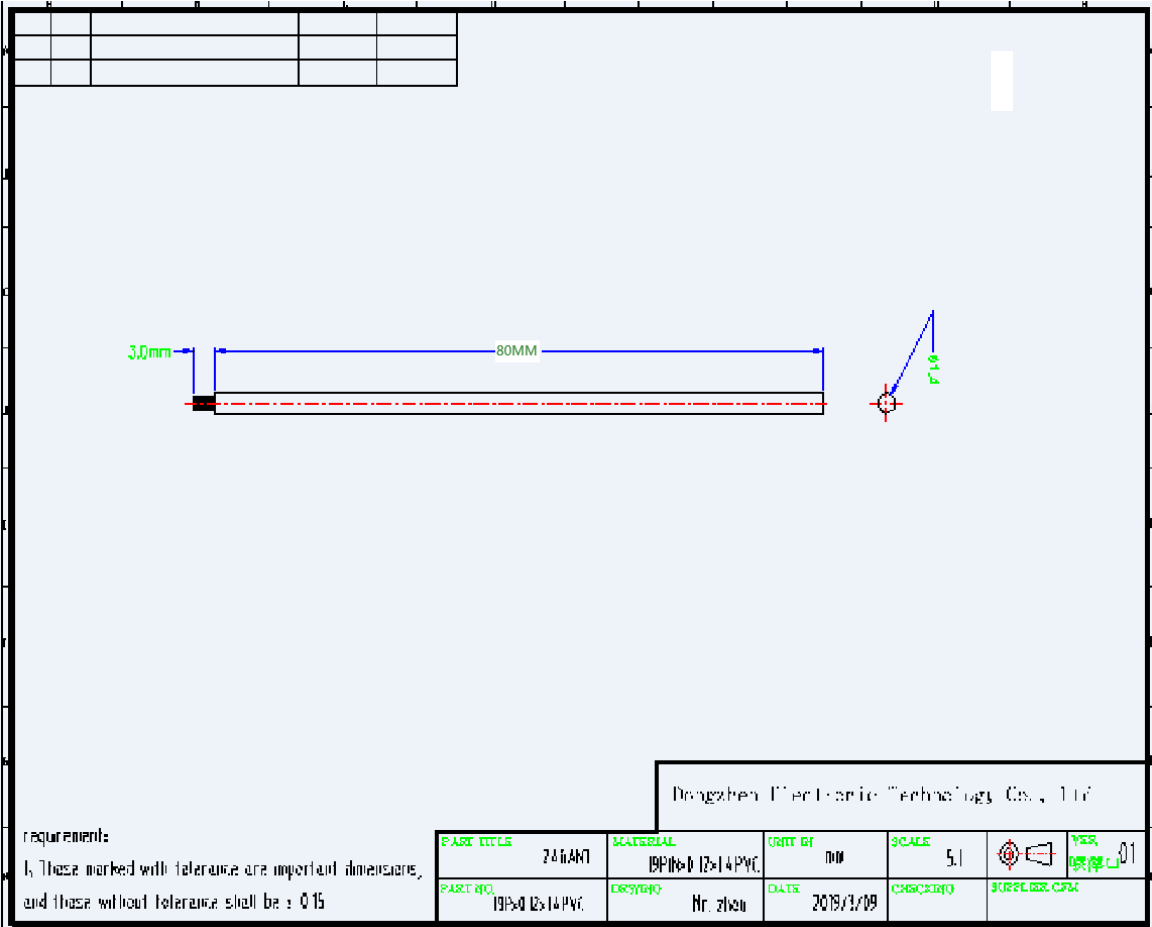
customer:

R&D Dept	Business Dept	Approved By

supplier

R&D Dept	Engineer Dept	Approval

--	--	--



Product Specification

A. Electrical Characteristics

Frequency 2400MHz ~2500MHz

VSWR <3.0

Efficiency >20%

Impedance 50 Ohm

Polarization Line

Gain 0DBi

B. Material & Mechanical Characteristics

Material of Radiator Cu

Cable Type 1.4 white

Connector Type : NO

Dimension

C. Environmental

Operation Temperature - 30 °C ~ + 80 °C

Storage Temperature - 30 °C ~ + 85 °C

Test Equipment & Conditions

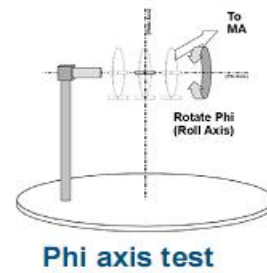
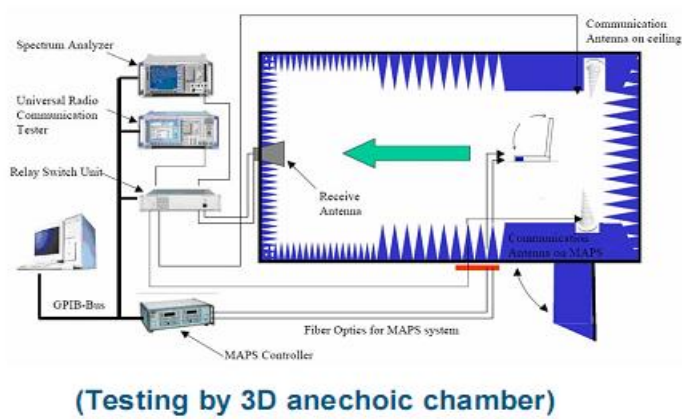
1. Network Analyzers :

Agilent 8753D 5071B

2. Communications Test Set:

Agilent E5515C

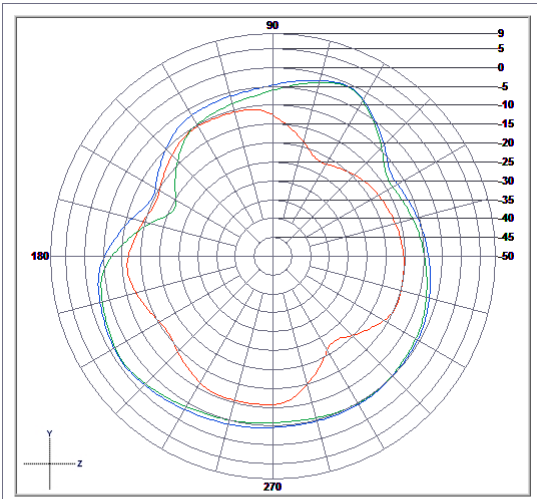
3. 3D Chamber Test System



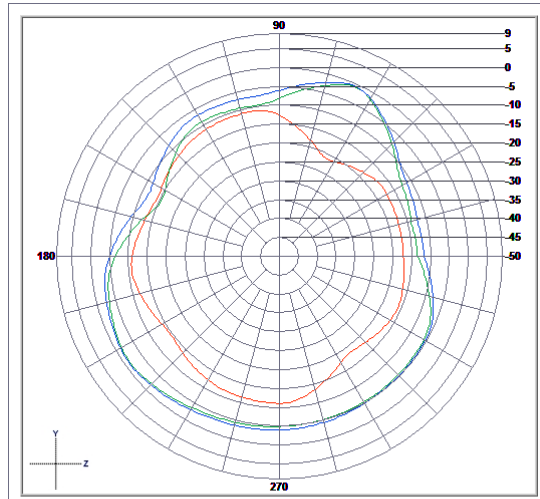
Gain

2.40	-0.01
2.440	0.12
2.48	0.17

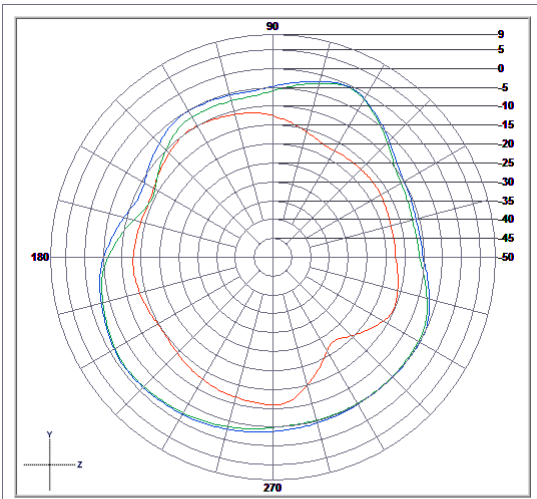
Radiation Pattern:



	Vertical	Horizontal	Total
Avg. Gain	-13.14	-5.08	-4.45
Peak Gain	-10.08	-0.03	-0.01



	Vertical	Horizontal	Total
Avg. Gain	-13.34	-5.06	-4.46
Peak Gain	-10.3	0.09	0.12



	Vertical	Horizontal	Total
Avg. Gain	-13.42	-4.6	-4.06
Peak Gain	-9.47	0.1	0.17

