

Antenna Specification for Approval

Customer Name: _____

Product Name: 2.4G Antenna Total length 35 white

Product Name: _____

Part NO. : 19芯*0.12*1.4PVC

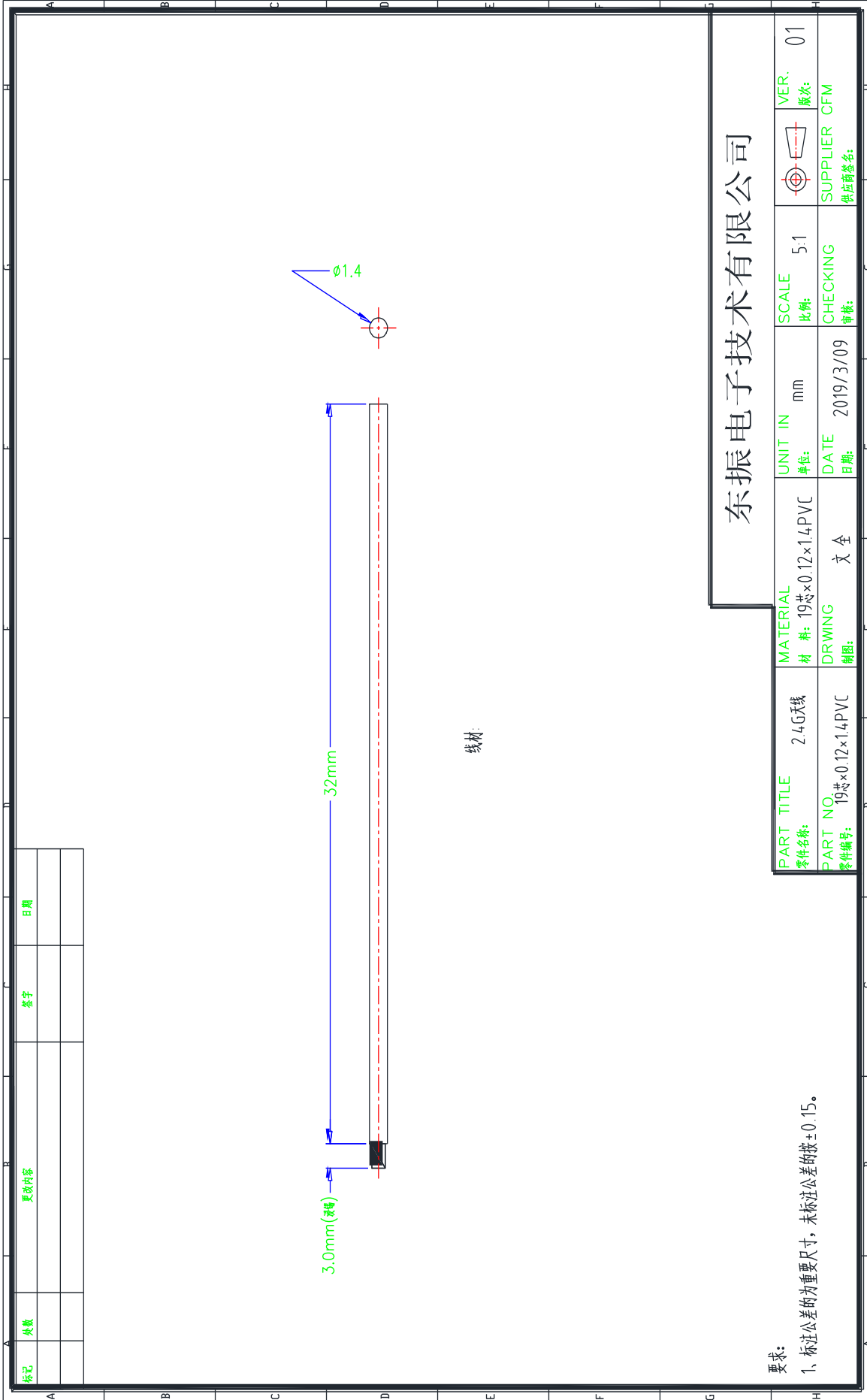
Write By: 周敏

Issued Date: 2019-3-8

customer:

R&D Dept	Business Dept	Approved By

R&D Dept	Engineer Dept	Approval



标记	次数	更改内容	签字	日期

东振电子有限公司

PART TITLE 零件名称:	MATERIAL 材 料:	UNIT IN 单 位:	SCALE 比 例:	VER. 版 次:
2.4G天线	19芯×0.12×1.4PVC	mm	5:1	01
PART NO. 零件编号:	DRWING 制 图:	DATE 日 期:	CHECKING 审 核:	SUPPLIER CFM 供 应 商 签 名:
19芯×0.12×1.4PVC	文 全	2019/3/09		CFM

要求:
1. 标注公差的重要尺寸, 未标注公差的按+0.15。

Product Specification

A. Electrical Characteristics

Frequency 2400MHz ~2500MHz

VSWR <1.0

Efficiency >20%

Impedance 50 Ohm

Polarization Line

Gain 0.17DBi

B. Material & Mechanical Characteristics

Material of Radiator Cu

Cable Type 1.4 白色

Connector Type : NO

Dimension

C. Environmental

Operation Temperature - 30 °C ~ + 80 °C

Storage Temperature - 30 °C ~ + 85 °C

Test Equipment & Conditions

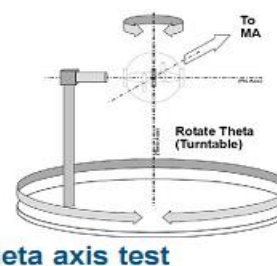
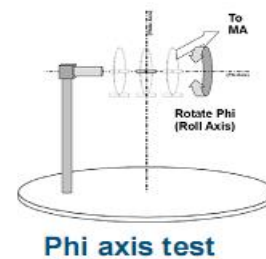
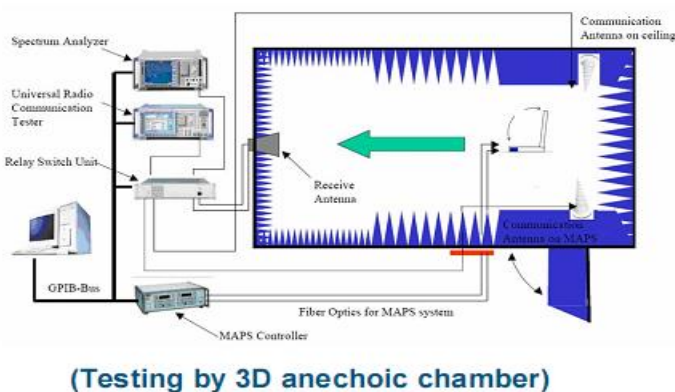
1. Network Analyzers :

Agilent 8753D 5071B

2. Communications Test Set:

Agilent E5515C

3. 3D Chamber Test System



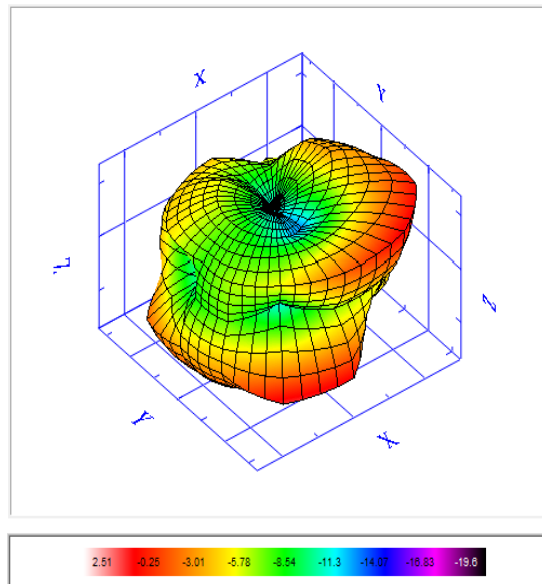
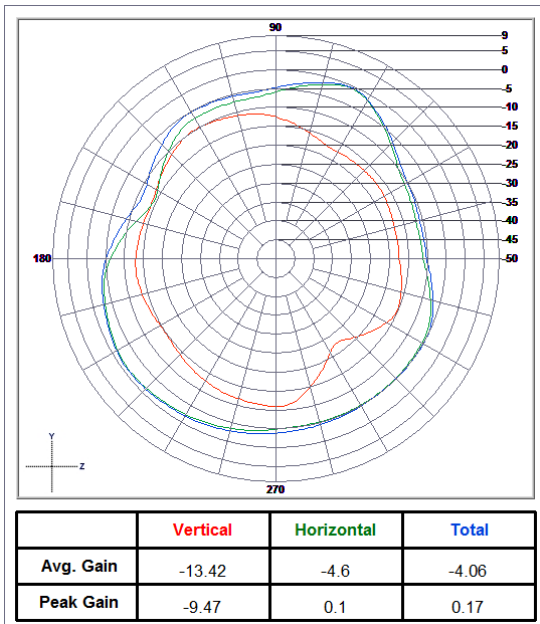
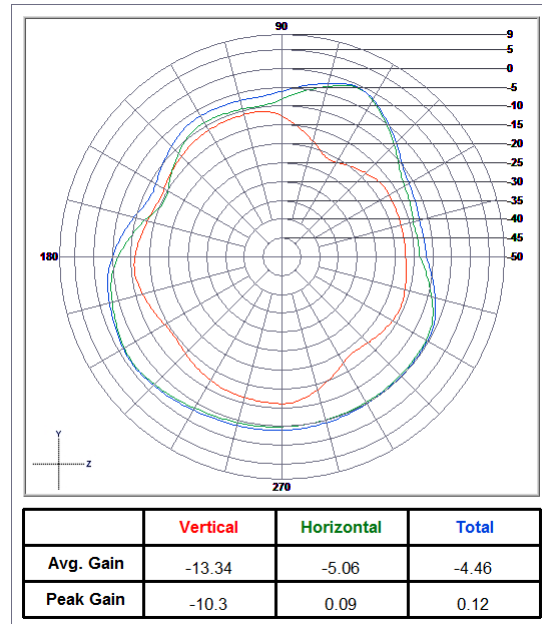
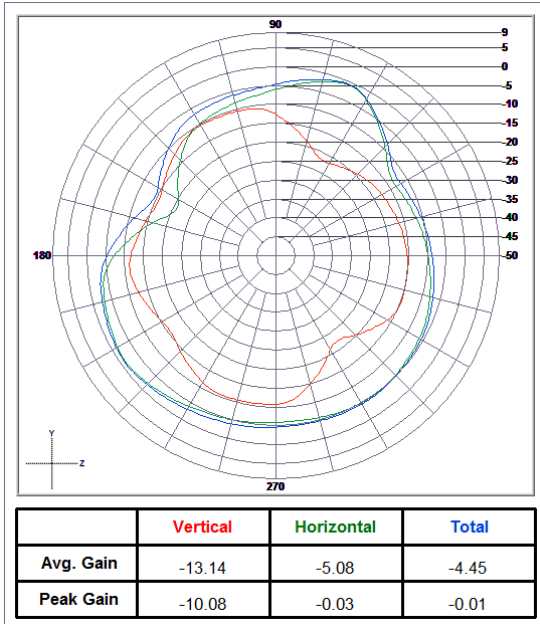
Efficiency & Gain

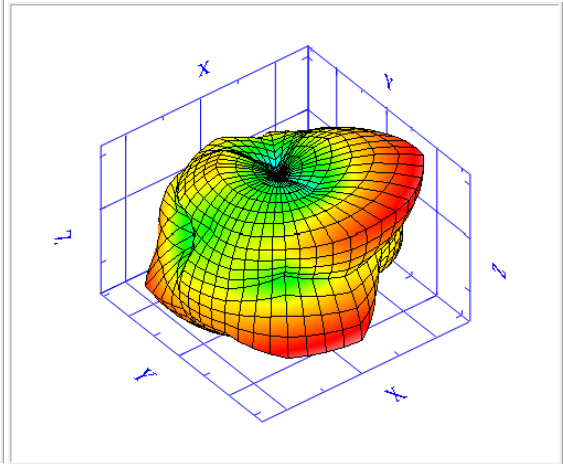
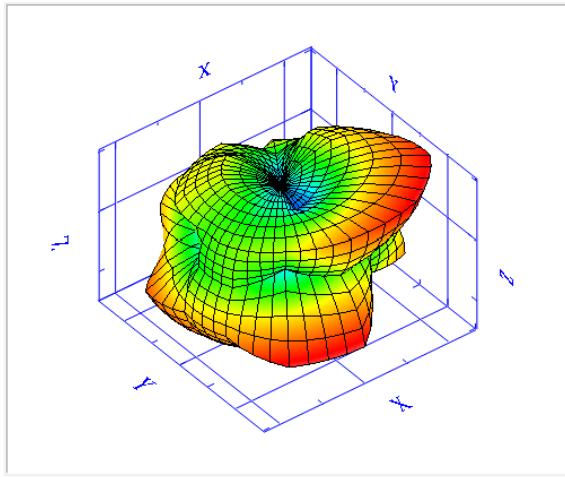
2.40 -0.01

2.440 0.12

2.48 0.17

Radiation Pattern:





2.12 -0.3 -2.73 -6.16 -7.56 -10.01 -12.44 -14.88 -17.29

1.98 -0.58 -3.14 -5.7 -8.26 -10.81 -13.37 -15.93 -18.49