

Operating Direction (cont'nued)

Push the rudder upward or downward the aircraft will be flying forward or backward.

Push the rudder lever to the left or to the right, the aircraft will be flying to the left side or to the right side accordingly.

Trimming

In the case the Drone is hovering in the air and the aircraft is flying forward or backward, to make a correction push the trimmer down or up.

In the case that the Drone is hovering and the aircraft is flying to left side or right side, you are able to correct this by pushing the trimmer right or left.

If your Drone is spinning and needs corrected, use the trimmer to direct the aircraft either right or left to balance out the spinning.

Headless Mode

Please refer to page 8 for full instructions on how to properly operate in Headless Mode.

Flips & Rolls

Left Flip

Right Flip

Backward Flip

Flying Environment

Flying Indoor: If people nearby.

Flying Outdoor: If your Wifi Drone, it is not recommended flying response or you're risking the

- TAKING PHOTOS AND VIDEOS:**
- Make sure the 3 pin plug is inserted into the drone.
 - Turn on the Drone following the instructions above.
 - Photos: See Page 9 APP CONTROL SPECIFICATIONS press button 2
 - Videos: See Page 9 APP CONTROL SPECIFICATIONS press button 3

AUTO HOVER FUNCTION:

- Place the drone with the front side facing away from the controller
- At the same time, pull the left throttle lever to the furthest back left corner while pulling the rudder lever to the furthest back right corner then release both levers to return to center.

In the auto hover mode, hovering while in flight.

ONE KEY RETURN FUNCTION:

- Before using one key return mode, it is necessary to activate the mode.
- Press the "one key return" button on the remote one time as the arrow on the diagram indicates. The controller will beep indicating it is in one key return mode.

(To cancel this mode, press the button again.)

- While flying Drone in One Key Return mode, the button can be pressed at any time to return the drone to its launch location.
- Once the Drone is on the return route, press the button again or press the right lever up to end the return function.

HEADLESS FUNCTION:

Place the Drone in a horizontal position or while hovering in the air, position the Drone so that the front LED indicates the front side facing away from the remote.

- Once connected push the Headless Mode button down.
- Headless Mode can be activated at any time - including mid-flight. (To cancel Headless Mode, press the button again, while the drone in Headless Mode, each direction can be regarded as the front of drone.)

RECALIBRATING:

Recalibrating Directions fly:

- Place the drone with the front side facing away from the controller
- Pull both levers to the furthest back left corner
- The LED indicator will begin flashing.
- Once the remote controller beeps, release both levers to allow them to return to the center position.
- Indicator will stop flashing, but remains lit to indicate the reset was successful.

Recalibrating Horizontal Navigation:

- Place the drone with the front side facing away from the controller
- Pull both levers to the furthest back right corner
- The LED indicator will begin flashing.
- Once the remote controller beeps, release both levers to allow them to return to the center position.
- The LED indicator will stop flashing, but remains lit to indicate the reset was successful.

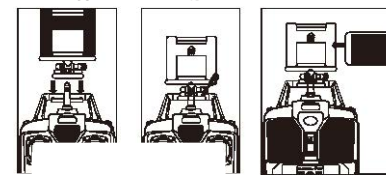
WiFi CONNECTION:

- Enter Google Play or the iTunes App Store and search for HT UFO. Once selected, download and install the app or scan the QR code that complies with your device.



WiFi connection instructions:

- Turn on the drone, and when the Red LED indicator lights this signifies the drone is ready to connect via WiFi.
- Enter WiFi settings on the selected mobile device. Select "HT-****@PH8610-****" from the list of available connections. Note: the four "*" will be different for every user.



- 1. Return
- 2. Take photo
- 3. Record video
- 4. Photo/video playback
- 5. Altitude hold
- 6. Speed: Slow 30% Quick 60% High 100%
- 7. Gravity Sensor mode
- 8. Show/Hide control interface
- 9. Show/Hide setup menu
- 10. Lighting control
- 11. Camera flip
- 12. 3D View
- 13. Flight Path
- 14. Gyro Calibration
- 15. Headless mode
- 16. One key return
- 17. 360° roll
- 18. Emergency stop
- 19. One key Takeoff
- 20. One key Landing
- 21. Throttle control
- 22/23. Left/Right Roll
- 24/25. Forward/Backward
- 26/27. Left/Right Side Flying
- 28/29. Left/Right roll fine-tune
- 30/31. Left/Right Side Flying fine-tune
- 32/33. Forward/backward fine-tune
- 34. Voice control

TECH SPECIFICATIONS

Information regarding the Physical and capable attributes of the Wifi Drone.

Diameter of Motor	7mm	Total weight	110g
Fuselage Height	75mm	Charging Time	100 minutes
Battery	800mAh/3.7V lithium battery	Code of main engine	Hollow cup engine
Gyroscope	6 axial digital Gyro	Flying Time	7 minutes
Length of Fuselage	320mm	Flying Height	● 50 meters

Considering the Wifi Drone is small we suggest not fly too high to see.

FCC Warning Statement

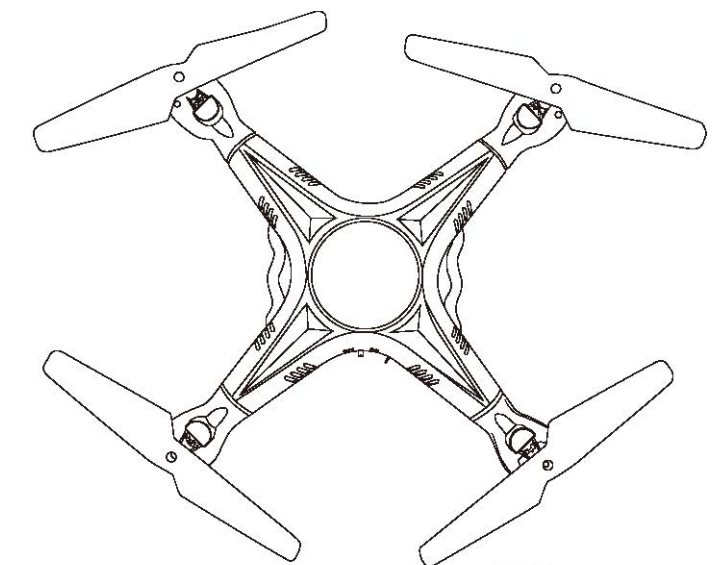
Changes or modifications not expressly approved by the party responsible for compliance could void the user's authority to operate the equipment. This equipment has been tested and found to comply with the limits for a Class B digital device, pursuant to Part 15 of the FCC Rules. These limits are designed to provide reasonable protection against harmful interference in a residential installation. This equipment generates uses and can radiate radio frequency energy and, if not installed and used in accordance with the instructions, may cause harmful interference to radio communications. However, there is no guarantee that interference will not occur in a particular installation. If this equipment does cause harmful interference to radio or television reception, which can be determined by turning the equipment off and on, the user is encouraged to try to correct the interference by one or more of the following measures:

- Reorient or relocate the receiving antenna.
- Increase the separation between the equipment and receiver.
- Connect the equipment into an outlet on a circuit different from that to which the receiver is connected.
- Consult the dealer or an experienced radio/TV technician for help.

FCC Radiation Exposure Statement

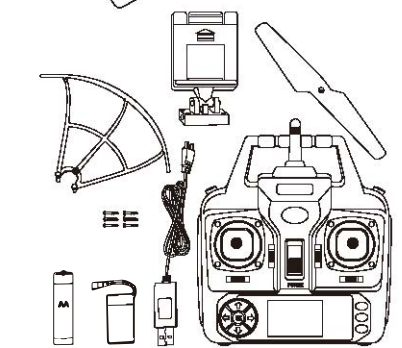
The antennas used for this transmitter must be installed to provide a separation distance of at least 20 cm from all persons and must not be co-located for operating in conjunction with any other antenna or transmitter.

THE REMOTE CONTROL WiFi DRONE WITH CAMERA



- What's included:**
- 1 x Drone
 - 1 x Instruction Manual
 - 1 x Remote Control
 - 1 x USB to Battery Lead (charging cord)

- Parts Included:**
- 1 x LiPo Battery
 - 4 x Additional propellers
 - 4 x Protecting frame
 - 6 x Small Phillips Screws
 - 1 x Phillips Screwdriver
 - 1 x Smart Phone Holder
 - 4 x AA Battery
 - made in china



SAFETY NOTES

Important Notes: Ages +14

This drone is not a toy, it can be fun but must be taken seriously.

Any improper use of this product will result in serious injury. Be aware of your personal safety, safety of others and your surrounding environment.

We recommend beginners learn to fly with more experienced pilots playing nearby before attempting to fly the Remote Control WiFi Drone with Camera in the same environment.

Caution:

This Wifi Drone has parts that move at high speed, which poses a certain degree of danger.

Choose a wide open space without obstacles. Do not operate this Wifi Drone near buildings, crowds of people, high voltage cables, or trees to ensure the safety of yourself, others and your drone.

Keep small parts out of reach of children, to avoid choking hazards. Adult supervision is advised

LiPo Battery Safety Notes:

This Wifi Drone is powered by a Lithium-Polymer (LiPo) battery.

To avoid risk of fire or damage, never recharge your battery while it is inserted in the Drone. If you do not plan to fly the Wifi Drone for a week or more, store the battery approximately 50% charged to maintain battery performance and life.

Prevent Moisture:

This Wifi Drone contains many precise electrical components

Store the battery and the Wifi Drone in a dry, cool, room temperature. Exposure to water or moisture may cause malfunction resulting in loss of responsiveness, or a crash

Proper Operation:

For safety only use the included spare parts for replacements.

Always be aware of the Rotating Blades:

When in operation, the main and tail rotor blades will be spinning at high speed. The blades are capable of inflicting serious body injury or property damage.

Be careful to keep your body and loose clothing away from the blades. Never take your eyes off the Wifi Drone or leave it unattended while it is turned on. Stop operating immediately if the Wifi Drone flies out of your view. Once landed, immediately turn off the Wifi Drone and remote control.

Avoid Flying Alone:

Beginners should avoid flying alone when learning flight skills. We recommend flying with an experienced pilot nearby in case you need help.

SAFETY ADVISORY NOTICE

● Lithium Polymer (LiPo) batteries

LiPo batteries are different from conventional batteries in that their chemical contents are enclosed in a relatively lightweight foil packaging. This has the advantage of significantly reducing their weight, but does make them more susceptible to damage if explosion if safety precautions are ignored.

- Charge and store LiPo batteries in a location where a battery fire or explosion (including smoke hazard) will not endanger life or property.
- Keep LiPo batteries away from children and animals
- Never charge the LiPo battery that has ballooned or swelled.
- Never charge the LiPo battery that has been punctured or damaged
- After a crash, inspect the battery pack for the sign of damage. Discard in accordance with your local recycling laws
- Never charge the LiPo battery in a moving vehicle.
- Never overcharge the LiPo battery.
- Never leave the LiPo battery unattended during recharging.
- Do not charge LiPo batteries near flammable materials or liquids.
- Ensure that charging leads are connected correctly. Reverse polarity charging can lead to battery damage or a fire or explosion.
- Have a suitable fire extinguisher (electrical type) OR a large bucket of dry sand near the charging area. Do not try to extinguish electrical (LiPo) battery fires with water.
- Reduce risks from fire/explosion by storing and charging LiPo batteries inside a suitable container
- Protect your LiPo battery from accidental damage during storage and transportation. (Do not put battery packs in pockets or bags where they can short circuit or can come into contact with sharp or metallic objects).
- If your LiPo battery is subjected to a shock (such as a crash), place it in a metal container and observe for signs of swelling or heating for at least 30 minutes.
- Do not attempt to disassemble or modify or repair the LiPo battery.

SAFETY CHECK BEFORE FLYING

Carefully inspect the Drone before every flight

- Before operations, check the batteries of the transmitter and Drone are charged for the flight.
- Before turning on the transmitter, check that the throttle stick is pulled completely backward (down position).
- Carefully check the Wifi Drone and propellers. Broken parts will pose risk of injury and hazard.
- Check the battery and power plug are securely fastened. Severe vibration during flight may detach the plug and result in loss of control.
- When turning on the unit, always turn on the remote first, and then turn on the Wifi Drone. To power off, always turn off the Wifi Drone first and then the transmitter. Improper procedure may cause loss of control of the Wifi Drone.

CHARGING THE LI-PO BATTERY

Charge the Li-Po battery completely before initial use of the Wifi Drone for optimal use.

- Use the provided charging cable, if the cable is damaged do not attempt to use.

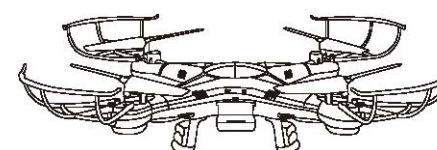
- Do not charge the battery if swollen, leaking, or seemingly damaged.

- Do not overcharge the battery. When batteries are fully charged the LED indicators light will go out, unplug the battery from the power source immediately.

- Do not charge on the flammable or combustible surface (such as carpet, wooden floor, solid wood furniture, etc.) or on electric-conductive surface.

- When the battery has recently died, wait a few minutes to let the battery cool then begin charging.

Remove and detach the battery from the bottom of the Drone



- Connect the battery with USB charger, then connect the USB charger to a computer or AC wall socket.
- An LED light indicator will light while charging and turn off when charging is complete.

ASSEMBLING THE DRONE

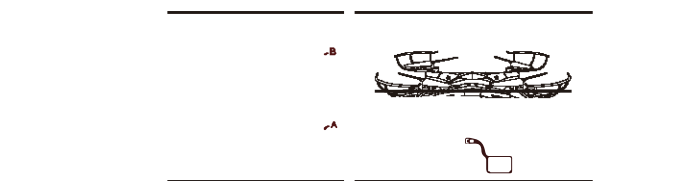
Assembling the Wifi Drone: Use the provided equipment to achieve the Wifi Drone's best use

- First, install the landing skids to the bottom of the Drone (Figure 1), and install the protecting frame around the blades for every corner, then lock the screws into place (Figure 2).



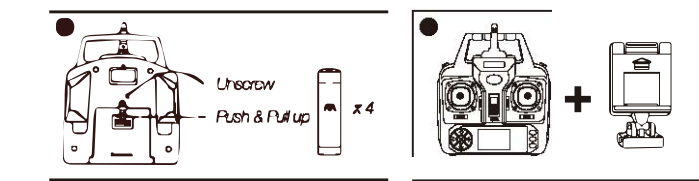
- Second: When replacing damaged blades use the provided ones from the Wifi Drone packaging. The set will come with 4 replacement propellers, two (A) type and two (B) type. To place the propellers correctly so that the Wifi Drone will fly you must align the like the illustration below; the As are diagonal from one another, and the Bs are as well (Figure 2). Once the propellers have been aligned correctly push them into place.

- Third: The final step in preparing the Wifi Drone for flight is implementing the fully charged Li-Po Battery. On the provided Li-Po battery, connect the Battery and into the Battery lead located on the physical Wifi Drone, as shown in Figure 3. Then slide the Li-Po battery into the alcove of the physical Wifi Drone, so that the battery cords are inside of the Wifi Drone.

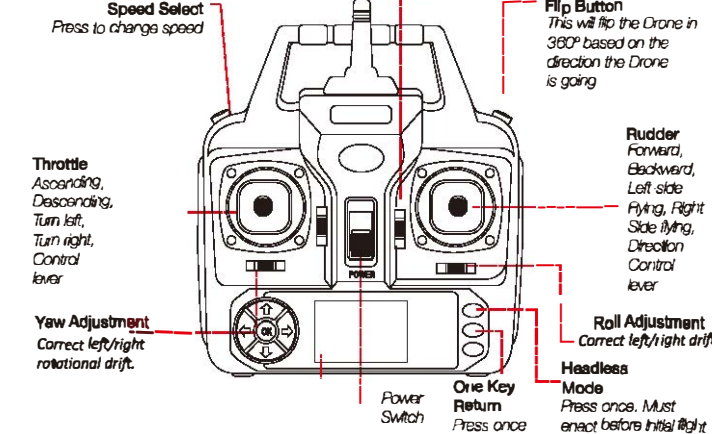


- Fourth: Turn the controller over, and using the provided screw driver remove the screw to unlock the battery placement compartment. Unhinge the compartments door and push and slide the door off the compartment, follow the "open" arrow and place four (included) AA Batteries into the back of the controller, as shown in Figure 4.

- Fifth: Attach the smartphone holder to the controller securely, and fit your mobile device with the grip (Figure 5) to get a live feed of the Drone's camera



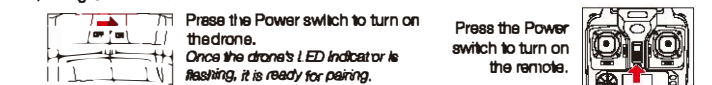
REMOTE CONTROLS



TIME TO FLY

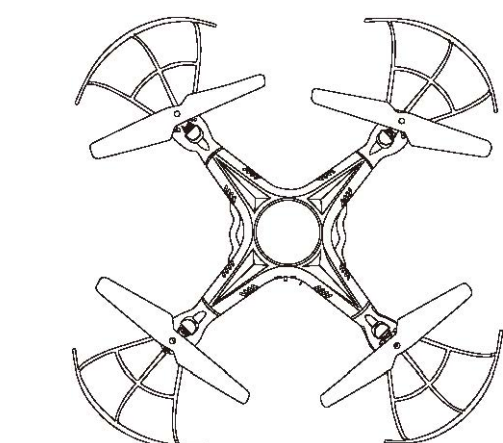
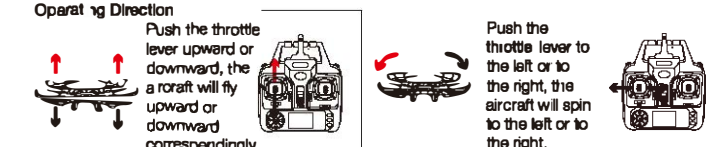
Please read the instructions carefully to and proficiently fly the Wifi Drone. Reference the above diagram to understand which controls to use when.

● YOU CAN PERFORM FLIPS, ATTEMPT ONLY IF UNDER CONTROL OF THE DRONE. Turning On The Drone:



To power, pull the left throttle lever to the furthest back left corner while pulling the right rudder lever to the furthest back right corner. Hold in a post on for two seconds, the drone has now entered "Auto Hover" and is ready to fly.

"To perform an emergency stop, please turn off the remote to have the drone return to the ground slowly. If stopping the drone with the same operation as above, the drone will drop to the ground quickly."



Here is everything you need to know about the Remote Control WiFi Drone with Camera. In order to help you understand how to operate our product like a pro (and in a safer manner), and to quickly show off for all of your friends; please read the entire instruction manual (it's in your best interest to keep this for future use).

INDEX

- Safety Notes 02
- Safety Advisory Notice 03
- Safety Check Before Flying 04
- Charging the Battery 04
- Assembling Diagrams 05
- Remote Control 06
- Time to Fly 06
- Taking Photos & Videos 08
- Auto Hover Function 08
- One Key Return Function 08
- Headless Function 08
- Recalibrating 08
- WiFi Connection 08
- App Control Specifications 09
- Tech Specifications 09
- FCC Statement 10