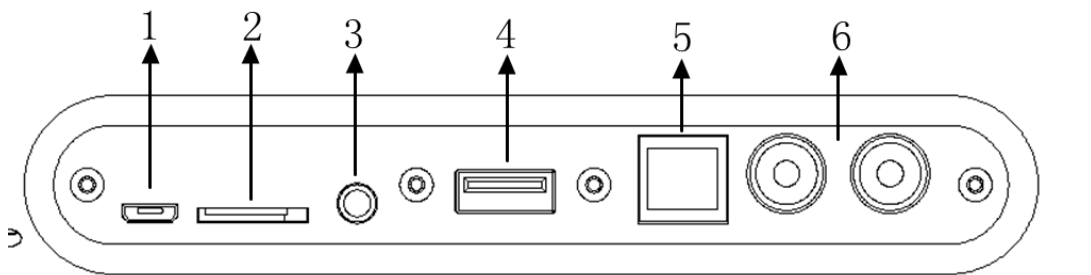
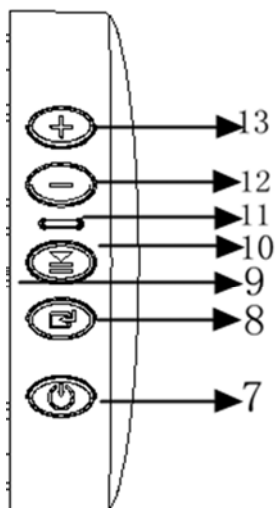


User Manual
BS-41 Bluetooth Speaker

Bluetooth version:	V4.2
Bluetooth frequency:	2402MHz-2480MHz
Bluetooth distance:	10M
Support music code:	MP3,WAV,WMA.FLAC,APE
Charging time:	About 4 hours
Standby time:	240 hours
Music play time:	About 6 hours
Battery:	7.4V/2000mA
SNR:	-80db
Charging plug:	Micro USB
Charging voltage:	DC 5V/1A-2A
Speaker power:	10W×2
Net weight:	780g
Dimension:	540*58*78.5mm

Graphic illustration





Function Indicator

1. DC 5V Micro USB charging port
2. TF card reader
3. 3.5mm audio input socket, Reset
4. USB socket
5. Optical audio input socket
6. RCA audio input socket
7. Power on/off button
8. Mode switch button
9. Infrared receiver (remote receiver)
10. Music play/pause button
11. LED indicator light
12. Volume down/next song
13. Volume up/previous song

Operation Instruction

Bluetooth Mode

1. Power on: long press on/off button for 3-5 seconds, then you will hear the voice prompt with the indicator light flashing. Bluetooth searching mode starts automatically after power on.
2. Switch on Bluetooth searching mode on the cell phone. After pairing successfully, the device name(**BS-41**) will be shown connected on the cell phone, then you can open phone player and play songs. Due to different brands of mobile phone and Bluetooth versions, the searching and pairing time will be various. Under normal circumstances, it only takes 30 seconds. If the pairing password is needed, please type "0000" on the cell phone.
3. Long press "+" "-" button to volume up / down.

4. Short press “+” “-” button to switch songs.
5. Short press “▶ ||” button to play or pause music.

AUX Mode

1. Using 3.5mm cable to connect the cell phone / MP3 / computer, then connect the cable to audio input socket(3) on speaker.
2. Turn on the speaker. It will automatically switch to the AUX mode. If the speaker is in other mode, please press the mode switch button to AUX mode.
3. Long press “+” “-” to volume up / down.
4. Short press “▶ ||” button to play or mute the speaker.

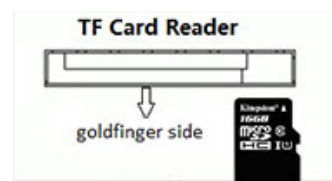
NOTE: The speaker can not switch songs in AUX mode.

FM radio mode

1. Turn on the speaker(now enter the Bluetooth Mode), connect the 3.5mm cable as radio antenna(now enter the AUX mode),then press the mode switch button to FM radio mode.
2. FM auto searching mode: long press “▶ ||” button to start searching.
3. FM stop searching: short press “▶ ||” button to stop searching.
4. Long press “+” “-” to volume up / down.
5. Short press “+” “-” button to switch the radio stations.(radio stations switch only happen with more than 2 radio stations.)
6. Short press “▶ ||” button to mute or play the speaker.

TF Card Mode

1. Insert the TF card into the TF card reader(2).
2. Turn on the speaker, It will automatically switch to the TF card mode, If the speaker is in other mode, please press the mode switch button to TF card mode.
3. Long press “+” “-” to volume up / down.
4. Short press “+” “-” button to switch songs.
5. Short press “▶ ||” button to play or pause music.
6. TF card insert direction: please refer to below picture.



TV Mode

1. Connect the RCA cable to the RCA audio output socket on the TV, then connect the other end to the RCA audio input socket(6) on the speaker.
2. Turn on the speaker(now enter Bluetooth mode), then press mode switch button to RCA mode. If the speaker is in other mode,please press the mode switch button to RCA mode.
3. Long press “+” “-” button to volume up / down.
4. Short press “▶ ||” button to play or mute the speaker.

- NOTE:**1) Make sure the TV has RCA audio output socket.
 2) Make sure the RCA plug connect correctly to the TV RCA audio output socket.
 3) If the TV has 3.5mm audio output socket, please refers to **AUX mode** connect method.
 4) The speaker can not switch the TV channels and songs in AUX input mode or RCA mode.

Optical Mode

1. Connect optical cable to digital TV or DVD player, then connect the other end to the optical input socket(5) on speaker.
2. Turn on the speaker(now in Bluetooth mode), then press mode switch button to optical mode.
3. Long press “+” “-” button to volume up / down.
4. Short press “▶ ||” button to play or mute the speaker.

NOTE: The speaker can not switch songs in optical mode.

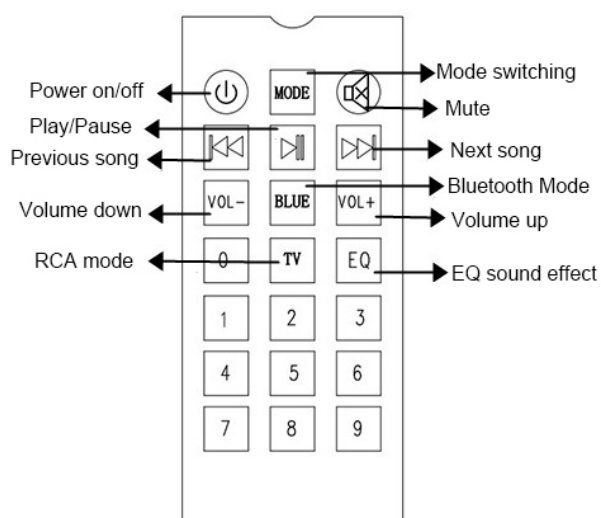
USB Mode

1. Plug the USB drive into USB socket(4).
2. Turn on the speaker. It will automatically switch to USB mode. If the speaker is in other mode, press mode switch button to USB mode.
3. Long press “+” “-” to volume up / down.
4. Short press “+” “-” to switch songs.
5. Short press “▶ ||” button to play or pause music.

Battery Charge

Use the offered USB charging cable to charge the speaker by connecting to the computer or 5V/1A-2A power source. The indicator light will turn red while charging. When the battery is full charged, the red indicator light will turn off.

Remote Control



- NOTE:** 1) Next/Previous song button will not function in Optical/AUX/RCA mode.
2) Songs select number button only function in the TF card music play mode.
3) Power on/off button on remote control only perform soft-off function. Press once the speaker enter soft-off. Press again enter soft-start. Buttons on speaker has no function in soft-off mode, except long press the power on/off button on the speaker.
4) Switch the EQ sound effects by pressing the EQ button:①ordinary music;②rock music;③pop music;④classical music;⑤jazz music;⑥country music

Common problems and solving method

1. Connecting for many times still unsuccessful?
 - (1) Check the speaker whether is on Bluetooth searching mode.
 - (2) If there are too many Bluetooth receivers around, it may cause the difficulty on searching. Please turn off other Bluetooth receivers.
 - (3) Open the Bluetooth settings on your phone, cancel pairing and reconnect.
2. The volume of speaker is too low or appear distortion? Please check the volume settings of your phone and adjust the volume.
3. Discontinuities appear when playing music? Please check the distance whether is out of effective range or there are barriers between your phone and the speaker.
4. The buttons have no effect to the speaker? Please try to use the player on phone or other players.
5. If the speaker cannot be turned on at the first time, please charge the speaker before using.
6. If the speaker cannot be controlled during using, please reset the speaker by appropriate tools. Hardware reset is hidden inside the 3.5mm audio input socket(3).

NOTE:

1. If connected to tablet, please refer to the phone connection method.
2. Laptop connection: Due to having many laptop's Bluetooth versions, the connecting method would be various. If fail to connect or play at the first time, please download the latest Bluetooth driver.
3. When the speaker is on and without operation in 5 minutes, it will automatically turn off to save the power.

FCC Statement

Changes or modifications not expressly approved by the party responsible for compliance could void the user's authority to operate the equipment.

This equipment has been tested and found to comply with the limits for a Class B digital device, pursuant to Part 15 of the FCC Rules. These limits are designed to provide reasonable protection against harmful interference in a residential installation. This equipment generates uses and can radiate radio frequency energy and, if not installed and used in accordance with the instructions, may cause harmful interference to radio communications. However, there is no guarantee that interference will not occur in a particular installation. If this equipment does cause harmful interference to radio or television reception, which can be determined by turning the equipment off and on, the user is encouraged to try to correct the interference by one or more of the following

measures:

- Reorient or relocate the receiving antenna.
- Increase the separation between the equipment and receiver.
- Connect the equipment into an outlet on a circuit different from that to which the receiver is connected.
- Consult the dealer or an experienced radio/TV technician for help

This device complies with part 15 of the FCC rules. Operation is subject to the following two conditions (1) this device may not cause harmful interference, and (2) this device must accept any interference received, including interference that may cause undesired operation.