

User Manual

Voter Registration and Authentication Device

VIU Tablet 100

Table of Contents

Table of Contents	1
Read me first	2
Getting started	3
Device layout	3
Buttons	3
Package contents	4
Power on your device	4
Power off your device	4
SIM Card, SAM Card & TF Card Installation	5
NFC Card Reading	6
Smart Card Reading	6
Connect & transfer	7
Wi-Fi networks	7
Bluetooth	7
Cellular networks	8
Airplane mode	8
Function Test	9
GPS Test	9
NFC Test	10
IC Card Test	11
PSAM Test	12
Fingerprint Test	13
Copyright Information	14

Read me first

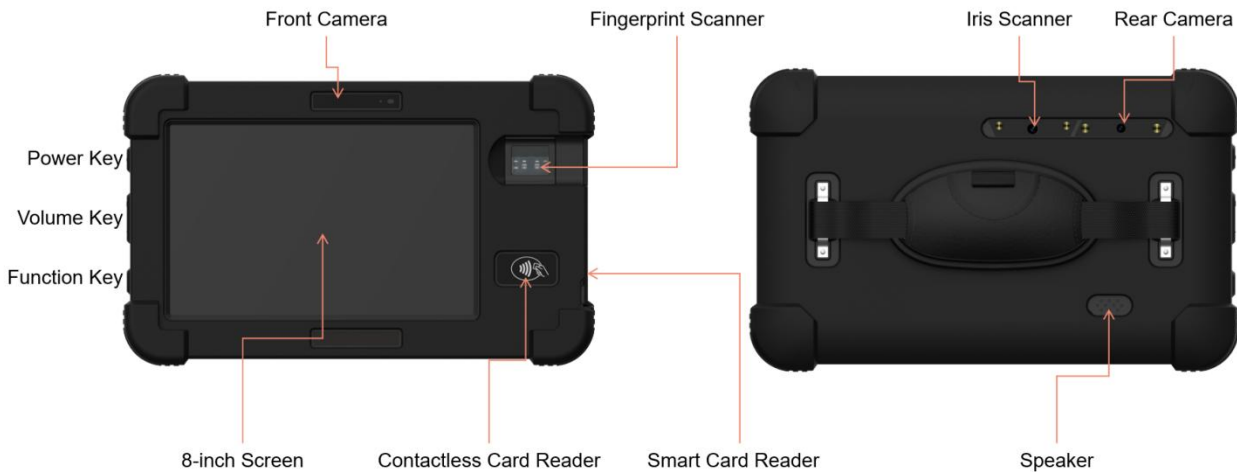
This device provides mobile communication and media services using latest standards and technological expertise. This user manual and the information available contain details about the device's functions and features.

- Please read this manual before using the device to ensure safe and proper use.
- Descriptions are based on the device's default settings.
- Some content may differ from your device depending on the region, service provider, or device's software.
- Smartmatic is not liable for performance issues caused by apps supplied by providers other than Smartmatic.
- Smartmatic is not liable for performance issues or incompatibilities caused by edited registry settings or modified operating system software. Attempting to customise the operating system may cause the device or apps to work improperly.
- Software, sound sources, wallpapers, images, and other media provided with this device are licensed for limited use. Extracting and using these materials for commercial or other purposes is an infringement of copyright laws. Users are entirely responsible for illegal use of media.
- You may incur additional charges for data services, such as messaging, uploading and downloading, auto-syncing, or using location services. To avoid additional charges, select an appropriate data tariff plan. For details, contact your service provider.
- Modifying the device's operating system or installing software from unofficial sources may result in device malfunctions and data corruption or loss. These actions are violations of your Smartmatic licence agreement and will void your warranty.

Getting started

Device layout

The following illustration outlines your device's primary external features.



Buttons

Button	Function
Power Key	<ul style="list-style-type: none">• Press and hold to turn the device on or off.• Press to lock or unlock the device. The device goes into lock mode when the touch screen turns off.
Overview	<ul style="list-style-type: none">• Tap Overview to see your recent apps, and tap an app to reopen it.• To remove an app from the list, swipe it left, right.• To scroll the list, swipe up or down.
Home	<ul style="list-style-type: none">• Tap to return to the Home screen.
Back	<ul style="list-style-type: none">• Tap to return to the previous screen.

Package contents

Check the product box for the following items:

- Main Device
- Power Adapter
- Ejection PIN
- User Manual



- The items supplied with the device and any available accessories may vary depending on the region or service provider.
- The supplied items are designed only for this device and may not be compatible with other devices.
- Appearances and specifications are subject to change without prior notice.
- You can purchase additional accessories from your local retailer. Make sure they are compatible with the device before purchase.
- Availability of all accessories is subject to change depending entirely on manufacturing companies. For more information about available accessories, please contact us.

Power on your device

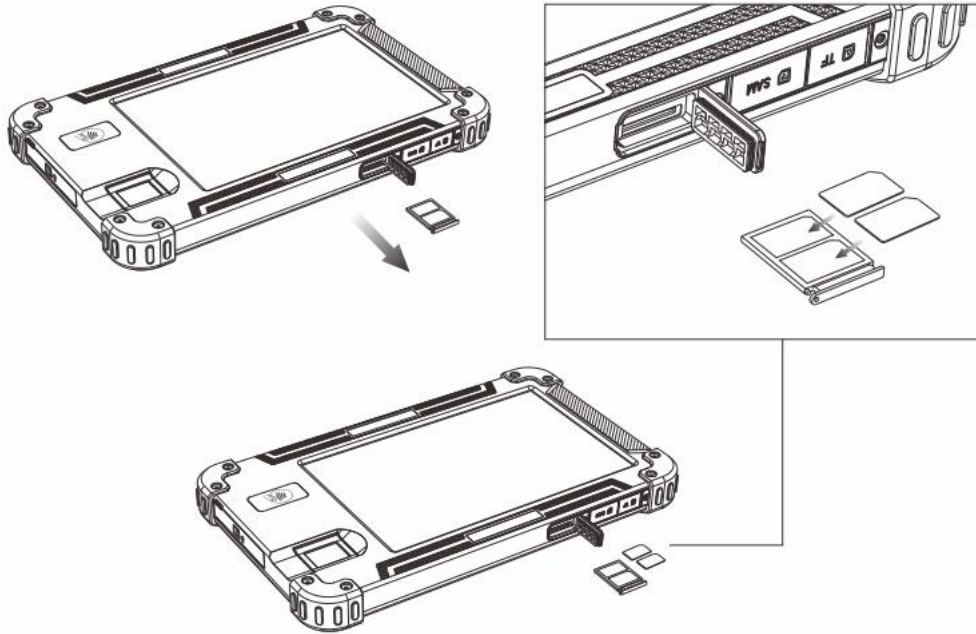
- To turn your device on, hold down the Power key until the device powers on. It will take a few seconds before the screen lights up.
- Unlock your device with a swipe, PIN, password or pattern before the Home screen can display if you've set a screen lock in Settings.

Power off your device

To turn your device off, hold down the Power key until the Device options appear, then select Power off.

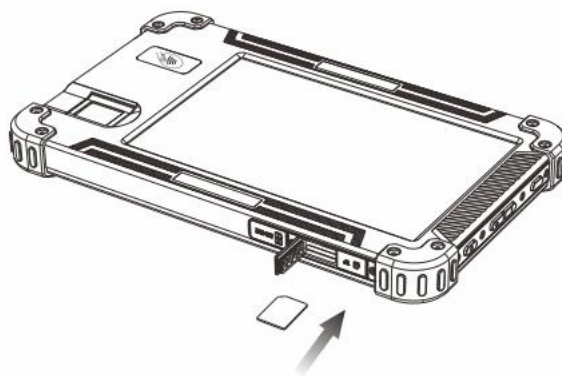
SIM Card, SAM Card & TF Card Installation

1. Open the rubber stopper and use a Ejection PIN to eject the Nano SIM Card holder. Then place the Nano SIM Card into the holder correctly. The chip of the Nano SIM Card should face down.



- Be careful not to damage your fingernails when you use the Ejection PIN.
- Do not bend or twist the rubber stopper excessively. Doing so may damage the rubber stopper.

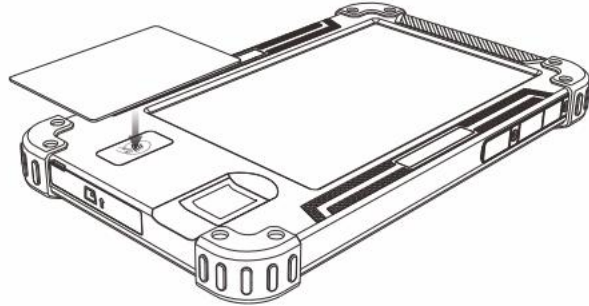
2. Open the rubber stopper and push the SAM Card into the holder correctly. The chip of the SAM Card should face down.



Note: On dual SIM capable devices, both SIM1 and SIM2 slots support 4G networks. However, if your SIM1 and SIM2 are both LTE SIM cards, the primary SIM supports 4G/3G/2G networks, while the secondary SIM can only support 3G/2G. For more information on your SIM cards, contact your service provider.

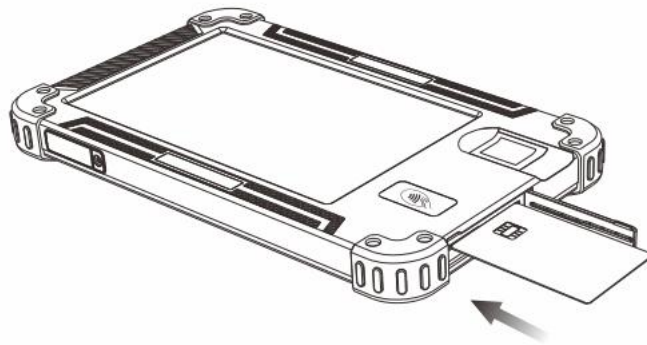
NFC Card Reading

1. Put the NFC card over the designated area and hold.



Smart Card Reading

1. Insert the smart card to the slot, the chip of the smart card should face up.



Connect & transfer

Wi-Fi networks

Wi-Fi provides wireless Internet access over distances of up to 300 feet. To use your device's Wi-Fi, you need access to a wireless access point or "hotspot."

The availability and range of the Wi-Fi signal depends on a number of factors, including infrastructure and other objects through which the signal passes.

Turn Wi-Fi power on/off

Find it: **Settings > Network & internet > WLAN**, then touch the Wi-Fi switch to turn it on.

Note: To extend battery life, turn the Wi-Fi switch off when you're not using it.

Connect to networks

To find networks in your range:

1. **Settings > Network & internet > WLAN.**

Note: To show your device's MAC address and Wi-Fi settings, tap Wi-Fi preferences.

2. Make sure the switch at the top is on, then tap a found network to connect it (if necessary, enter **Network SSID**, **Security**, and **Wireless password**, and tap **Connect**).

When your device connects, the Wi-Fi status indicator appears in the status bar.

Note: The next time your device connects to a previously accessed secured wireless network, you will not be prompted to enter the password again, unless you reset your device to its factory default settings or you instruct the device to forget the network.

Wi-Fi networks are self-discoverable, which means no additional steps are required for your device to connect to a Wi-Fi network. It may be necessary to provide a user name and password for certain closed wireless networks.

Bluetooth

Turn Bluetooth power on/off

Find it: **Settings > Connected devices > Connection preferences > Bluetooth**, then touch the switch to turn it on.

Note: Swipe down the status bar with two fingers to quickly turn Bluetooth on or off.

To extend battery life or stop connections, turn Bluetooth switch off when you're not using it.

Connect devices

The first time you connect a **Bluetooth device**, follow these steps:

1. Make sure the device you are pairing with is in discoverable mode.
2. Touch **Settings > Connected devices > Connection preferences > Bluetooth**.
3. Make sure the switch at the top is on, then tap **Pair new device**.
4. Tap a found device to connect it (if necessary, tap **Pair** or enter a passkey like 0000).

Cellular networks

You should not need to change any network settings. Contact your service provider for help.

To see network settings options, tap **Settings > Network & internet > Mobile network**.

Airplane mode

Use airplane mode to turn off all your wireless connections—useful when flying.

Swipe down the status bar with two fingers, then tap **Airplane mode**.

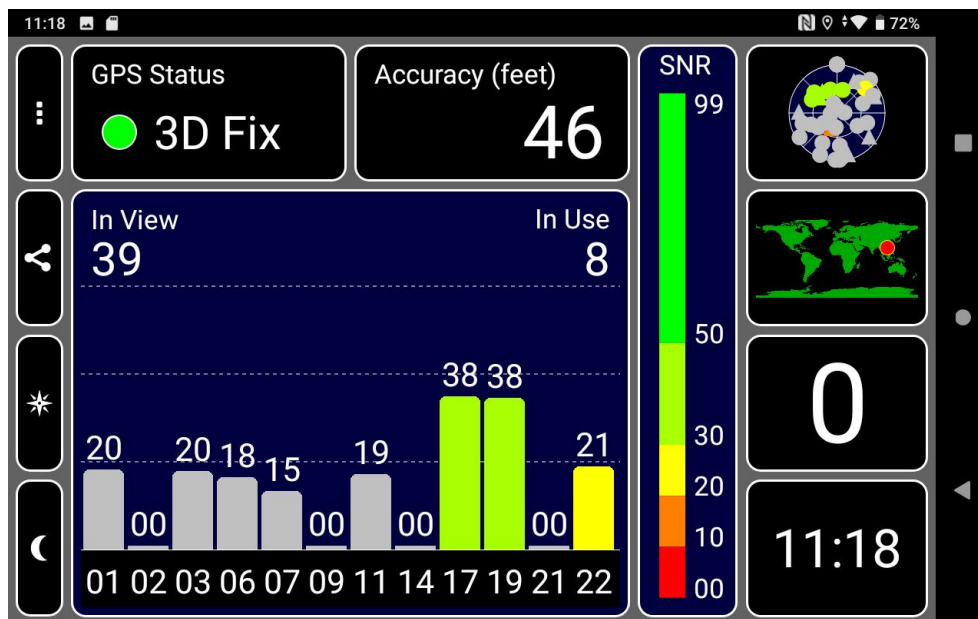
Or tap **Settings > Network & internet > Advanced > Airplane mode**.

Note: When you select airplane mode, all wireless services are disabled. You can then turn Wi-Fi and/or Bluetooth Power back on, if permitted by your airline. Other wireless voice and data services (such as calls and text messages) remain off in airplane mode. Emergency calls to your region's emergency number can still be made.

Function Test

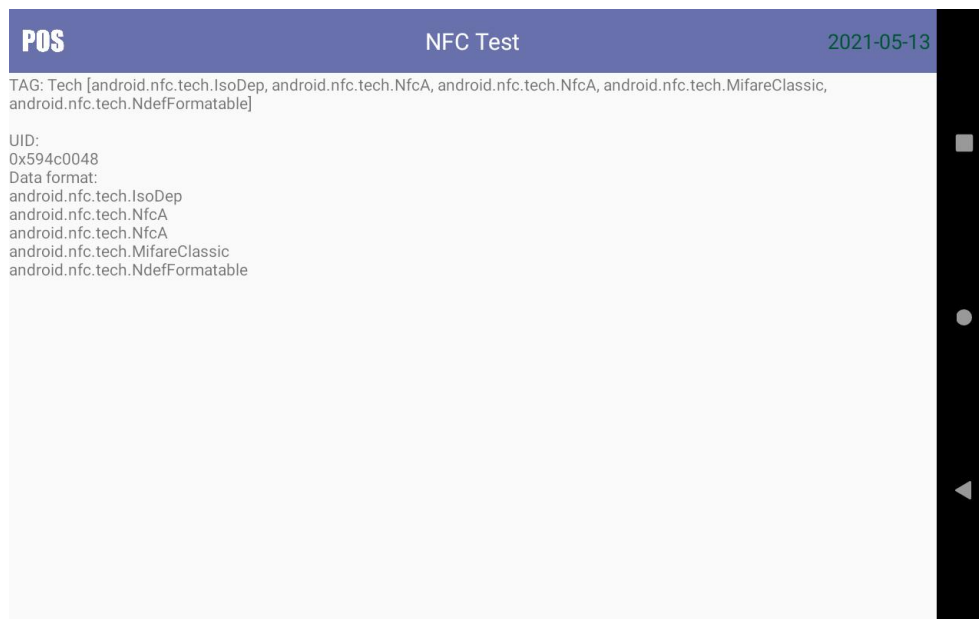
GPS Test

- Go to the window or an open area.
- Touch Settings > Location.
- Touch the ON switch next to Location to turn the option On.
- Open GPS Test APP.
- Setup GPS parameters to access GPS information.



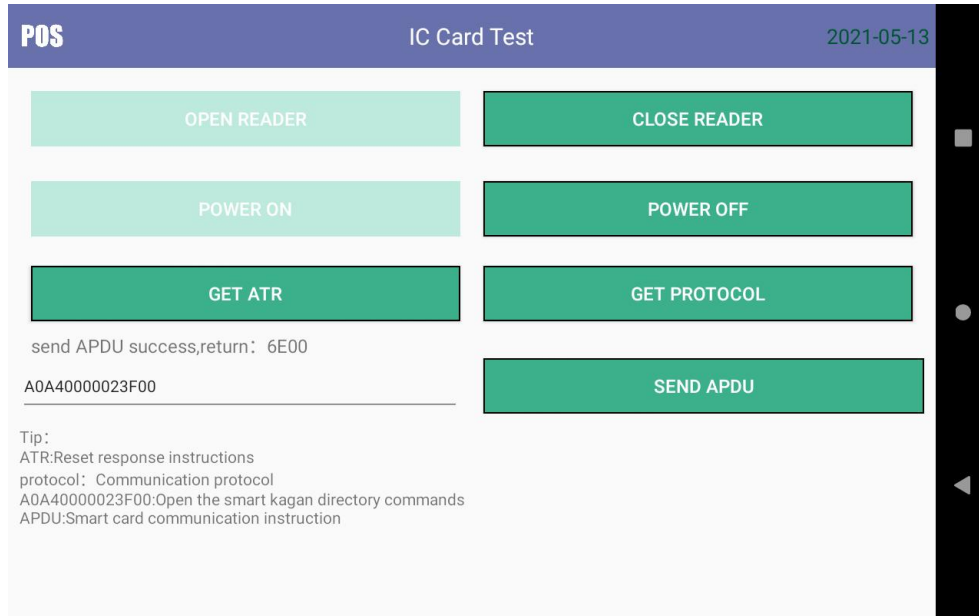
NFC Test

- Touch Settings > Connected devices > Connection preferences > NFC.
- Touch the NFC switch to turn it on.
- Put the NFC tag over the device.
- Click “NFC TEST” in DemoSDK to start test.



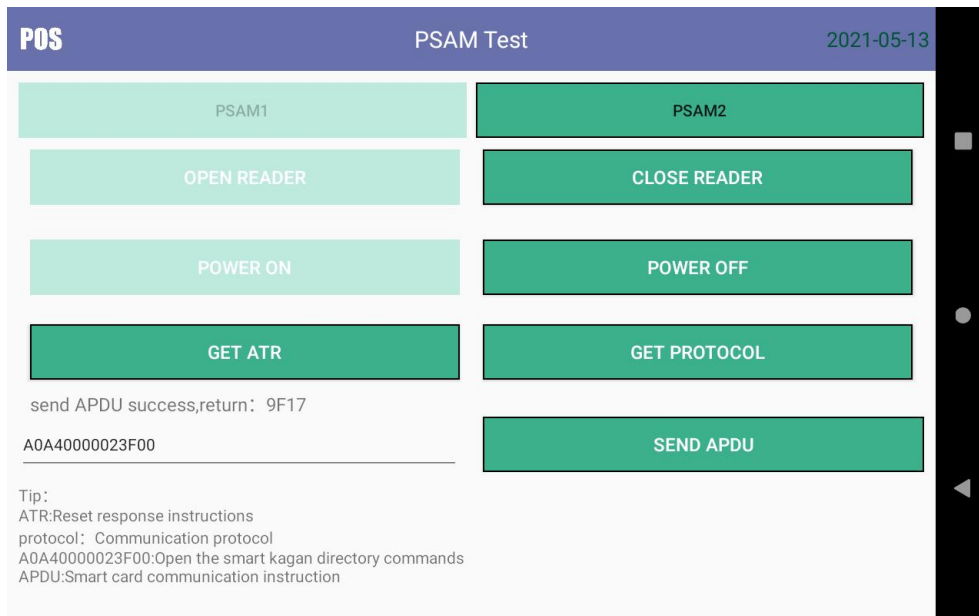
IC Card Test

- Insert the smart card to the slot, chip should be upside.
- Click “IC CARD TEST” in DemoSDK to start test.



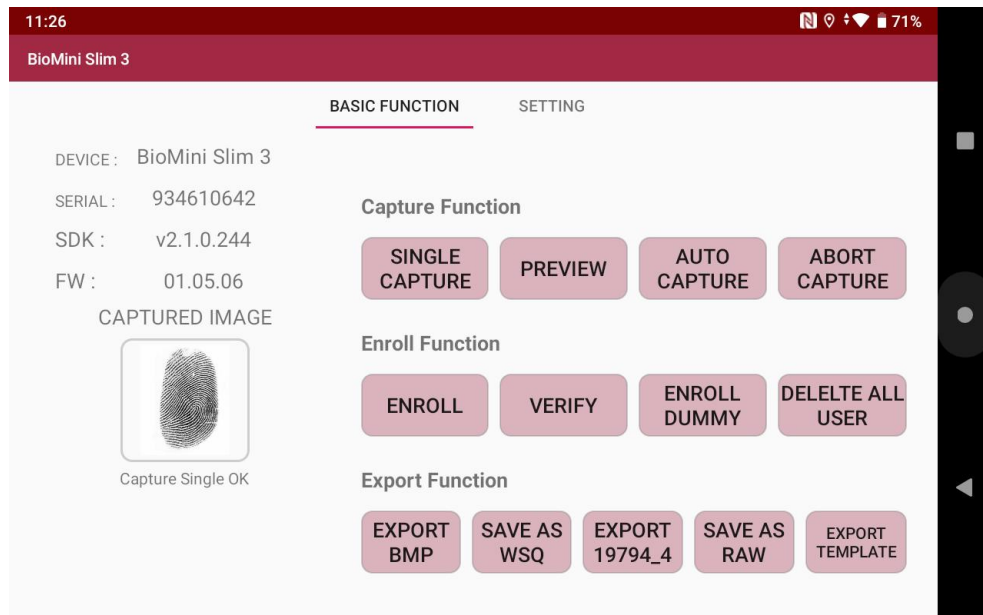
PSAM Test

- Push the PSAM card into the socket correctly. The chip of the PSAM card should face down.
- Click “PSAM TEST” in DemoSDK to start test.



Fingerprint Test

- Run the BioMini Sample APP.
- Click “SINGLE CAPTURE” to start test.
- Place your finger on the fingerprint area of the device and hold. Be sure your finger is in right direction.



Copyright Information

Copyright © 2023 Smartmatic International Corporation

This manual is protected under international copyright laws.

No part of this guide may be reproduced, distributed, translated, or transmitted in any form or by any means, electronic or mechanical, including photocopying, recording, or storing in any information storage and retrieval system, without the prior written permission of Smartmatic International Corporation

Smartmatic International Corporation

Pine Lodge, #26 Pine Road St. Michael, W.I. BB, 11112 Barbados

Any Changes or modifications not expressly approved by the party responsible for compliance could void the user's authority to operate the equipment.

This device complies with part 15 of the FCC Rules. Operation is subject to the following two conditions: (1) This device may not cause harmful interference, and (2) this device must accept any interference received, including interference that may cause undesired operation.

Note: This equipment has been tested and found to comply with the limits for a Class B digital device, pursuant to part 15 of the FCC Rules. These limits are designed to provide reasonable protection against harmful interference in a residential installation. This equipment generates, uses and can radiate radio frequency energy and, if not installed and used in accordance with the instructions, may cause harmful interference to radio communications. However, there is no guarantee that interference will not occur in a particular installation. If this equipment does cause harmful interference to radio or television reception, which can be determined by turning the equipment off and on, the user is encouraged to try to correct the interference by one or more of the following measures:

- Reorient or relocate the receiving antenna.
- Increase the separation between the equipment and receiver.
- Connect the equipment into an outlet on a circuit different from that to which the receiver is connected.
- Consult the dealer or an experienced radio/TV technician for help.

For body worn operation, this device has been tested and meets the FCC RF exposure guidelines when used with an accessory designated for this product or when used with an accessory that contains no metal.