

# Mobile ID Terminal- BM5510 4G



# User Manual

V 1.0

## Table OF CONTENTS:

1. Introduction.....	3
2. Important Safety Information.....	3
3. Product Interface.....	4
4. Operations.....	5
5. Troubleshooting .....	7
6. FAQ.....	7
7. Technical Specifications.....	10

# **Introduction**

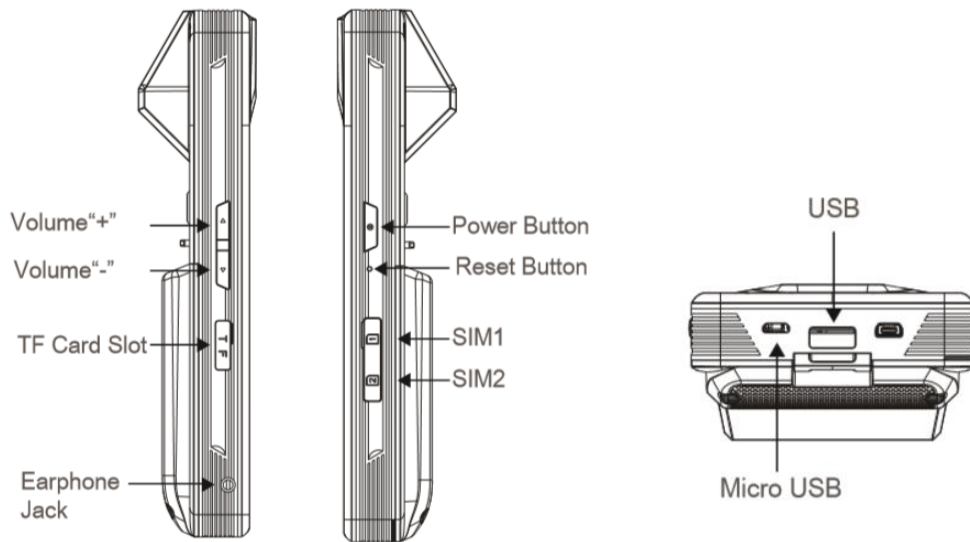
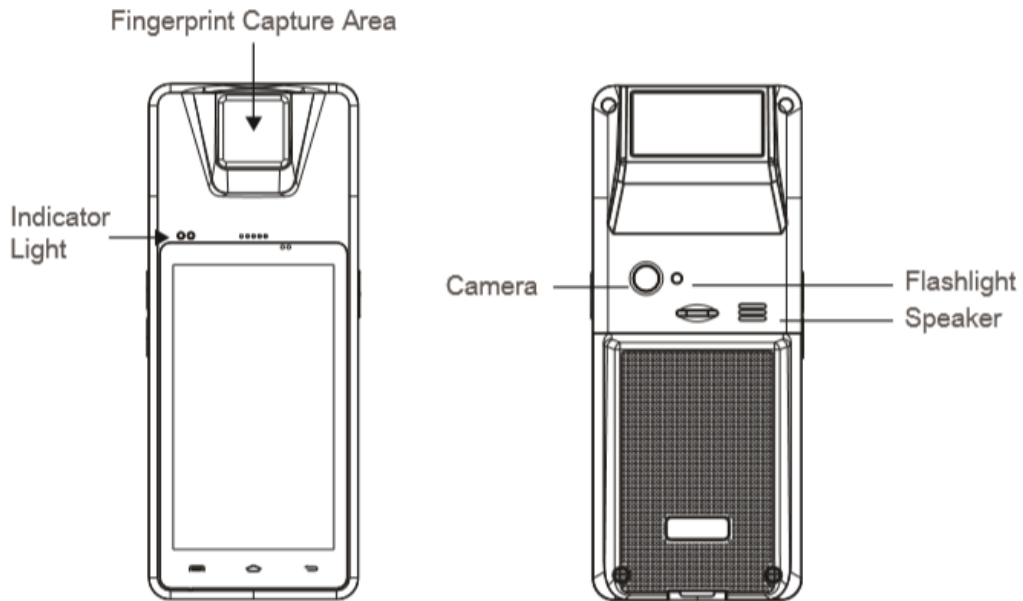
Phenomenal battery life. Highly-portable. Feature-packed. When the job calls for a reliable and portable fingerprint scanner, the ARATEK BM5510 Handheld ID Check Terminal is the only choice. The device features an ultra-long battery life that keeps going, making the ARATEK BM5520 the perfect biometrics tool for law enforcement, National ID, remote financial services, and many other applications.

# **Important Safety Information**

Please follow the following safety instructions:

- ※Do not use liquid or aerosol cleaners for cleaning.
- ※Do not disassemble or modify the device.
- ※Do not try to charge the battery with other chargers.
- ※Do not yank the power cord or place anything on the power cord.
- ※Do not expose the device into fire or heat it, or it may cause crack and injury.
- ※Do not use or store the device under too hot, too cold or dusty environment.
- ※Do not drop, knock or shake the device violently, or it may damage internal circuit board.
- ※Do not forget to turn off the device before SIM card insert and remove.

# Product Interface

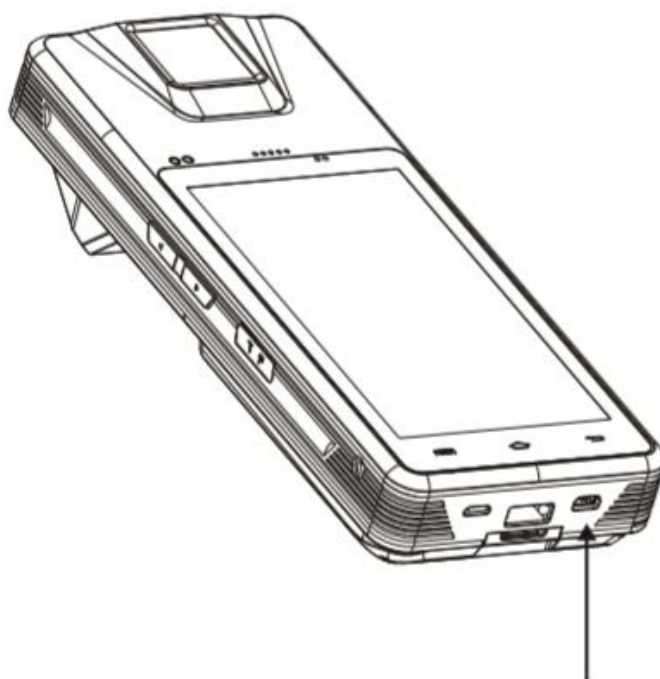


# Operations



Before switching ON device for the first time or after a long time period, put it on charging until full power.

## 1.Charge

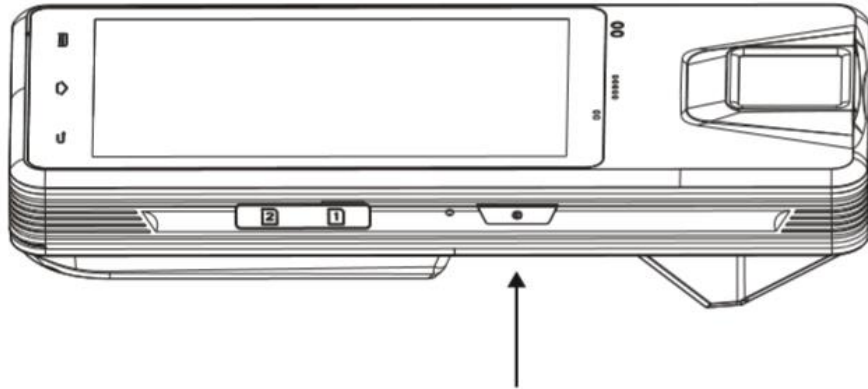


Connect To Power Adapter



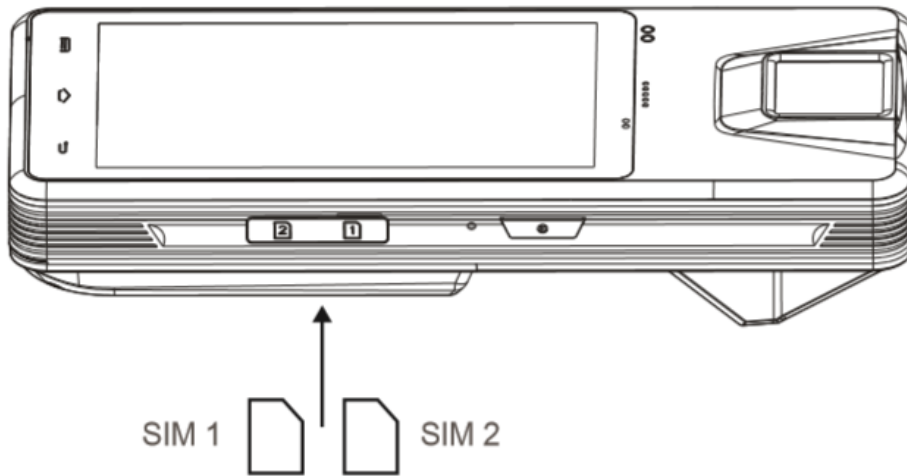
- ✚ Even if the device is not switched ON, the battery will be charged whenever the DC Adaptor power is available.
- ✚ Red/green indicator light: red light when power charging is less than 90%; green light when power charging is greater than or equal to 90%.

## 2. Power On/Off operation



Long press power button two seconds to do On/Off operation

## 3. Insert/Remove SIM card



Pull out the SIM slot.  
Insert the card into proper slot.  
Then close the slot.

# Troubleshooting

## Problem 1: charge failure

Solution: (1) Check if the plug is inserted correctly.

(2) Ensure that micro USB charging port has good contact.

## Problem 2: heating

Solution: Avoid using the device under too hot environment. Stop device operation for a while.

## Problem 3: crash

Solution: a. Long press power button to turn off, then turn on.

b. Press reset button to restart device.

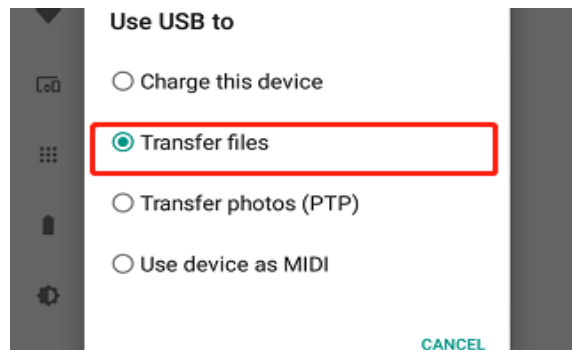
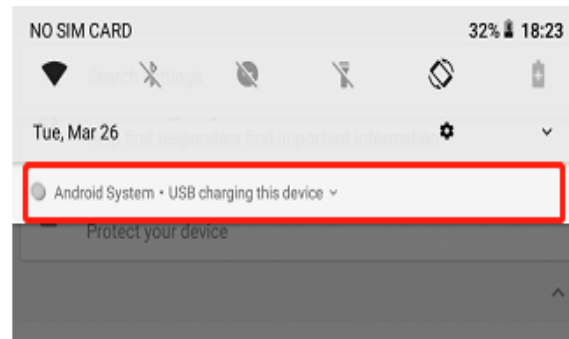
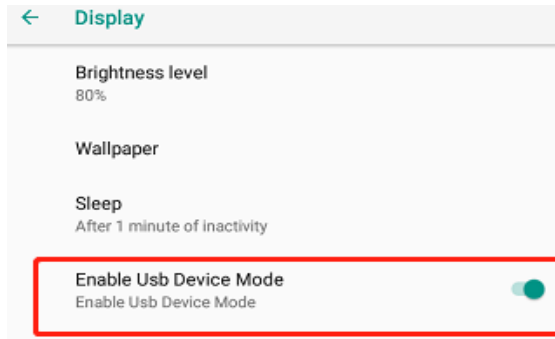
c. Contact Aratek support team.

## Problem 4: Other problems

Solution: Contact Aratek for support, website: [www.aratek.co](http://www.aratek.co)

# FAQ

- **1. Why I can't use FP after I copy the file from Laptop**
  - Please disable USB device mode in the setting-display menu.
- **2. How to copy file between BM5510 4G and Laptop? or why BM5510 4G can't be found by my laptop?.**
  - Please follow below steps:
    - Enable *USB device mode option* in setting- display menu.
    - Connect a laptop by a USB cable.
    - Click *Android System . USB charging this device* option in notification bar.
    - Change to mode from *Charing* to *file transfer*.
    - Open your laptop, you can find BM5510 4G is in your laptop.
    - -After finishing copy, disable the *USB device mode* option.





# Technical Specifications

<b>Basic</b>	<b>Operating System</b>	Android 8.1
	<b>Processor</b>	MT8735 Quad-core 1.3GHz
	<b>Memory</b>	2G RAM + 16G ROM
	<b>Display</b>	5 Inches 720*1280 Pixels IPS LCD
	<b>Resolution</b>	720*1280 IPS
	<b>Camera</b>	8 MP Auto Focus (Rear)
	<b>Expansion Card</b>	TF Card, Up to 64G
	<b>Battery</b>	4000mAh removable (option: 10000 mAh)
	<b>Charging</b>	DC 5V/2.5A
	<b>Weight</b>	485g
	<b>Dimension</b>	201*83*43 mm (L*W*H)
	<b>Accessories</b>	Power adapter, USB cable
	<b>Temperature and Humidity</b>	Operation: 0°C~45°C, 10%~75% Storage: -20°C~50°C, 5%~85
<b>Biometrics</b>	<b>Type</b>	FBI PIV certified FAP20 optical
	<b>Platen Area</b>	21.0*16.0 mm
	<b>Sensing Area</b>	20.3mm*15.2mm
	<b>Image Size</b>	Image Size: 300*400
	<b>Image Resolution</b>	500 dpi
	<b>Grayscale</b>	256 level
<b>Communications</b>	<b>SIM Card</b>	Micro Sim Card *2
	<b>Wi-Fi</b>	802.11 a/b/g/n
	<b>3G</b>	WCDMA B1 (EU) or WCDMA B2/ B5 (US)
	<b>4G</b>	B3 / B5 /B40 (EU) or B4 / B7 / B28 (US)
	<b>GPS</b>	GPS /A-GPS
	<b>Bluetooth</b>	Bluetooth 4.0
	<b>USB</b>	USB 2.0 *1, Micro USB (OTG) *1
<b>Credential Reading</b>	<b>NFC (option)</b>	ISO/IEC 14443 A/B
	<b>2D Barcode (option)</b>	1D, 2D, PDF417, QR code, Code 39, Code 128, DataMatrix, UPC-A, etc.
	<b>Smart Card Reader (option)</b>	ISO 7816

### **FCC Statement**

1. This device complies with Part 15 of the FCC Rules. Operation is subject to the following two conditions:

(1) This device may not cause harmful interference.

(2) This device must accept any interference received, including interference that may cause undesired operation.

2. Changes or modifications not expressly approved by the party responsible for compliance could void the user's authority to operate the equipment.

#### **NOTE:**

This equipment has been tested and found to comply with the limits for a Class B digital device, pursuant to Part 15 of the FCC Rules.

These limits are designed to provide reasonable protection against harmful interference in a residential installation.

This equipment generates uses and can radiate radio frequency energy and, if not installed and used in accordance with the instructions, may cause harmful interference to radio communications. However, there is no guarantee that interference will not occur in a particular installation. If this equipment does cause harmful interference to radio or television reception, which can be determined by turning the equipment off and on, the user is encouraged to try to correct the interference by one or more of the following measures:

Reorient or relocate the receiving antenna.

Increase the separation between the equipment and receiver.

Connect the equipment into an outlet on a circuit different from that to which the receiver is connected.

Consult the dealer or an experienced radio/TV technician for help.

### **SAR Information Statement**

Your wireless phone is a radio transmitter and receiver. It is designed and manufactured not to exceed the emission limits for exposure to radiofrequency (RF) energy set by the Federal Communications Commission of the U.S. Government. These limits are part of comprehensive guidelines and establish permitted levels of RF energy for the general population. The guidelines are based on standards that were developed by independent scientific organizations through periodic and thorough evaluation of scientific studies. The standards include a substantial safety margin designed to assure the safety of all persons, regardless of age and health. The exposure standard for wireless mobile phones employs a unit of measurement known as the Specific Absorption Rate, or SAR. The SAR limit set by the FCC is 1.6 W/kg. \* Tests for SAR are conducted with the phone transmitting at its highest certified power level in all tested frequency bands. Although the SAR is determined at the highest certified power level, the actual SAR level of the phone while operating can be well below the maximum value. This is because the phone is designed to operate at multiple power levels so as to use only the power required to reach the network. In general, the closer you are to a wireless base station antenna, the lower the power output. Before a phone model is available for sale to the public, it must be tested and certified to the FCC that it does not exceed the limit established by the government adopted requirement for safe exposure. The tests are performed in positions and locations (e.g., at the ear and worn on the body) as required by the FCC for each model. The highest SAR value for this model phone when tested for use on the body, as described in this user guide, is **0.991W/Kg**(Body-worn measurements differ among phone models, depending upon available accessories and FCC requirements). While there may be differences between the SAR levels of various phones and at various positions, they all meet the government requirement for safe exposure. The FCC has granted an Equipment Authorization for this model phone with all reported SAR levels evaluated as in compliance with the FCC RFexposure guidelines. SAR information on this model phone is on file with the FCC and can be found under the Display Grant section of <http://www.fcc.gov/oet/fccid> after searching on

FCC ID: **2AGVK-VIU-500A70** Additional information on Specific Absorption Rates (SAR) can be found on the Cellular Telecommunications Industry Association (CTIA) web-site at <http://www.wow-com.com>. \* In the United States and Canada, the SAR limit for mobile phones used by the public is 1.6 watts/kg (W/kg) averaged over one gram of tissue. The standard incorporates a substantial margin of safety to give additional protection for the public and to account for any variations in measurements.

### **Body-worn Operation**

This device was tested for typical body-worn operations. To comply with RF exposure requirements, a minimum separation distance of **10mm** must be maintained between the user's body and the handset, including the antenna. Third-party belt-clips, holsters, and similar accessories used by this device should not contain any metallic components. Body-worn accessories that do not meet these requirements may not comply with RF exposure requirements and should be avoided. Use only the supplied or an approved antenna.