

VC331 User Manual



NOTICE

This user manual provides a summary of the basic product specifications and features. Before using each product, please read this user manual thoroughly. Pay special attention and adhere to the safety information throughout this manual.

Some instructions in this manual are based on the Android 10 operating platform. If you are using another operating system, some operations may differ.

Do not touch the LCD panel with sharp or hard objects. Do not use abrasive cleaners, waxes or solvents for cleaning, use only a dry or damp, soft cloth. Use only battery, power supply and accessories specified by the manufacturer.

Because of our continuous research and improvements, the contents in this catalogue may be changed without prior notice. The printed illustrations in this manual may differ from the actual product. The features and operations described in this guide are common to most, but not all, models.

This manual contains proprietary information protected by copyright. All rights are reserved. No part of this manual may be reproduced by mechanical, electronic or any other means, in any form, or without prior written permission of the manufacturer. Aratek Biometric Co., Ltd. will be exempt from responsibility for any loss or damage which may be caused by the use (or misuse) of this product.

Important Statement

The following documents contain the private information of **ARATEK Biometric Co., Ltd.** (hereinafter referred to as **ARATEK**). The information is accurate and reliable, without the permission of the Company's management, third parties may not use or disclose arbitrary; of course, and any unauthorized copying without authorization, special conditions, limitations or informed of this information Modifications are all infringements.

At any time, without notifying any parties, ARATEK has the right to make changes, additions, deletions, improvements and any other changes to the company's products and services. In the use of the company's products, ARATEK does not bear any responsibility or obligation; and third parties shall not infringe any patents or other intellectual property rights in the use.

The sales of all products are subject to the sales terms and conditions of the company in the order acknowledgement. The company uses technical methods such as testing, tools, and quality control to support a certain degree of assurance that the relevant performance of the product meets the required specifications. Except for clear government written requirements, it is not necessary to perform all parameter tests for each product.

Except for ARATEK's logo design, all other trademarks or registered trademarks belong to their respective owners.

Contact Us: www.aratek.co

Address: 2F,T2-A #Building Software park, South Area, Hi-tech Park, Nanshan

District Shenzhen, Guangdong, China

Postcode: 518057

Telephone: 0755-26719975

General safety information:

Use the following safety guidelines to help protect your device from potential damage and to help to ensure your personal safety. Also adhere to and take note of any additional cautions and safety warnings throughout this manual.



WARNING: To reduce the risk of fire or electric shock, do not expose this device to extreme heat, rain or moisture. Make sure the power cord is UNPLUGGED from the wall outlet during lightning storms or when it will not be used for an extended period of time. Do not open the device or remove any internal parts. Contact qualified personnel if repairs are necessary. Follow all operating precautions when using this product.

Operating Environment

Remember to follow any special regulations enforced in any area, and always switch your device off whenever it is forbidden to use it, or when it may cause interference or danger. Do not use your device in restricted areas. Switch your device off in any facility where posted notices require you to do so. When connecting the device or any accessory to another device, read the user's guide for detailed safety instructions. Do not connect incompatible products. Most modern electronic equipment is shielded from Radio Frequency (RF) signals. However, certain electronic equipment may not be shielded against the RF signals from your device. Consult the manufacturer to discuss alternatives.

Cautions

Any changes or modifications to your VC331 device not expressly approved in this document could void your warranty for this product and void your authority to operate this equipment. Although your Chameleon device is quite sturdy, it is a complex piece of equipment and can be broken. Avoid dropping, hitting, bending, or sitting on it. Keep your device away from liquids of any kind. Precipitation, humidity, and liquids contain minerals that will corrode electronic circuits.

Other Important Safety Information

Only qualified personnel should service this device. Faulty service may be dangerous and may invalidate any warranty applicable to the device. When transporting the device in a moving vehicle ensure that any electronic devices or related equipment used in your vehicle are securely mounted. Switch your device off before boarding an aircraft. The use of wireless mobile devices in aircraft is illegal and may be dangerous to the aircraft's operation. Keep the device and all its parts out of reach of small children.

Table of content

NOTICE.....	2
Important Statement.....	3
General safety information:.....	4
Table of content.....	5
Product Introduction.....	6
Product outlook.....	7
SIM/TF Card Slot.....	8
USB TYPE A / MICRO USB/ LAN Slot.....	8
Earphone jack/ Volume/ Power.....	9
Contact Card Reader.....	10
Barcode Reader.....	11
Screen.....	12
Fingerprint Scanner.....	13
Document Scanner.....	14
Thermal Printer.....	15
Charger.....	16
Battery.....	17
Technical Specification.....	19
Basic operation.....	20
Turn device ON.....	20
Turn device OF.....	20
Cleaning device.....	21
FAQ.....	22

Product Introduction

The versatile VC331 can be used as a compact desktop workstation for mobile biometric identification. The high-quality FBI certified single-finger scanner (FAP20) and a series of other optional data capture modules ensure. It can be quickly identified and authenticated when needed. VC331 is suitable for a variety of application scenarios and can be used for voter registration and verification, border and access control.

Key feature

- FAB 20 FBI-Approved Fingerprint Scanner
- Removable Long-Life Battery
- Mobile 4G, Wi-Fi, Bluetooth & GPS Connectivity
- Contact Card Reader
- 1D/2D Barcode Reader
- Android 10 OS
- Memory: 3GB RAM & 32GB ROM
- Document Reader
- 13.3' Scratch Resistant Capacitive Touch Screen
- 80mm thermal printer
- Dual SIM, Dual USB Ports
- TF card
- LAN Port
- DC charging

Purpose of this user manual

This manual has been designed to introduce the user to the device features and components to be used as a step-by-step guide to achieve optimal device performance. The manual is intended to inform the user about proper operating procedures and provide relevant technical information related to the device.

Warranty

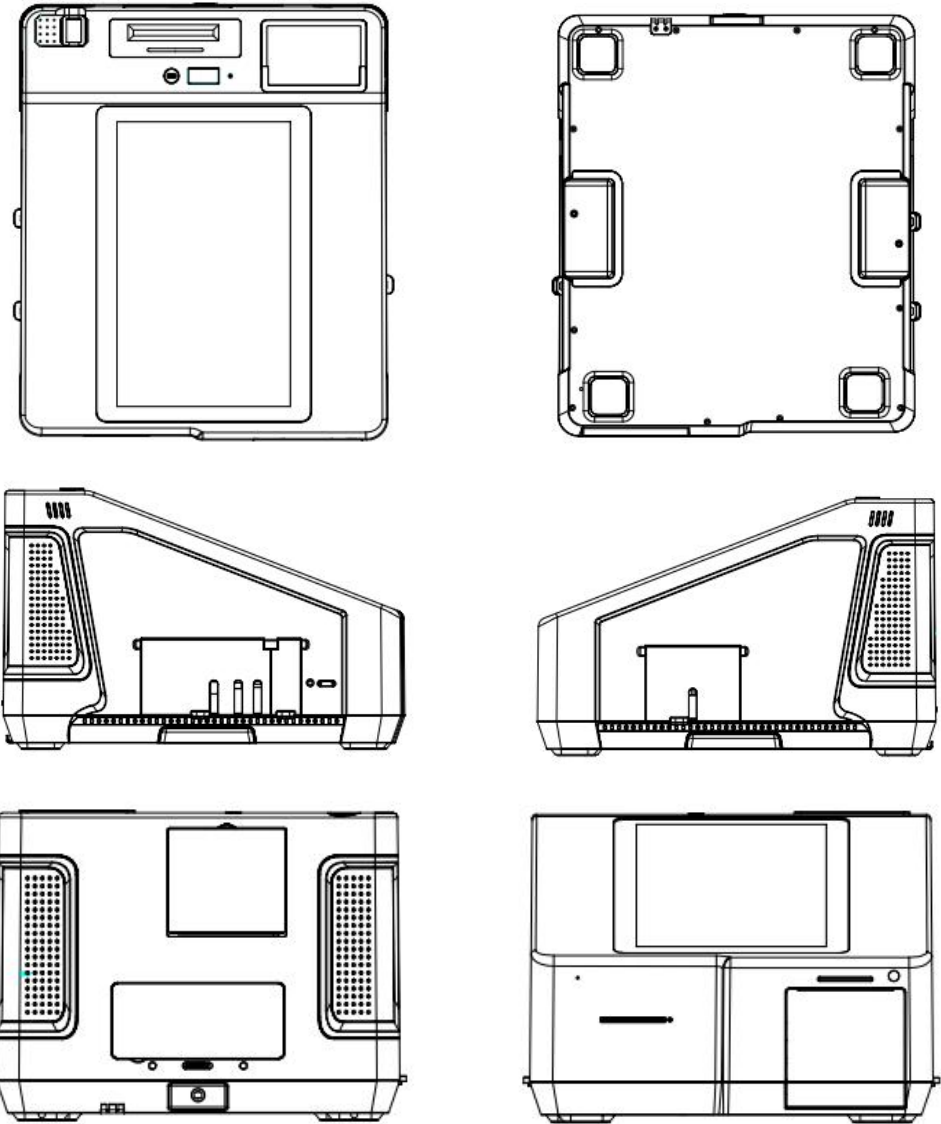
The standard warranty period for the hardware and parts, as well as workmanship is 12 (twelve) months.

Packaging

VC331 device is neatly and securely packaged inside a customized foam and the foam is packaged inside a branded carton box.

Product outlook

Product view

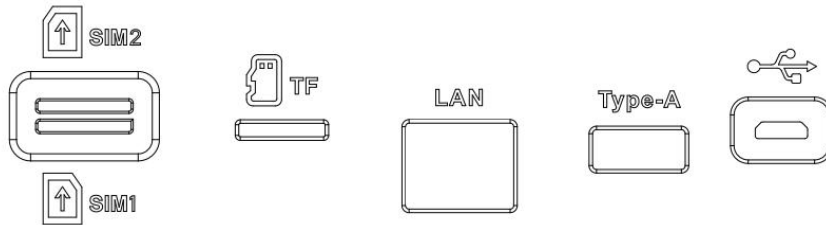


■ Dimensions: 418mm x 269mm x 354 mm

■ Weight: 5.6KG

SIM/TF Card Slot

The TF / SIM/ SAM/card panel can only be accessed with under the port panel cover door. Lift on the port panel cover door to insert cards to the device.



1. Insert T-Flash card (micro SD) memory card into slot in correct orientation as shown above. The device can accommodate a TF card with memory of up to 128GB. A memory card can be installed at a later stage, it does not need to be purchased with the device.
2. Insert the 2 x micro SIM (Subscriber Identity Module) cards into slots in correct orientation as shown above.

USB TYPE A / MICRO USB/ LAN Slot

USB TYPE A Port

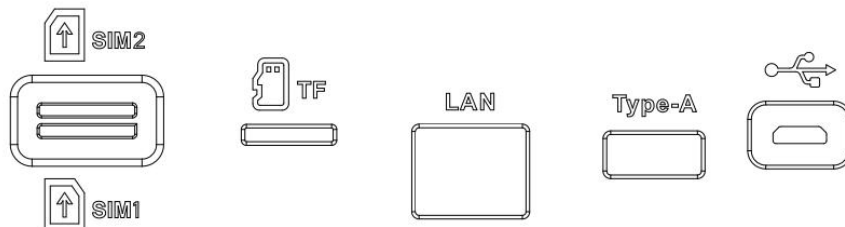
USB Type-A is a specification that allows USB devices, such as tablets or, to act as a host, allowing other USB devices, such as USB flash drives, digital cameras, mice or keyboards, to be attached to them. One USB type A port is on the left Left Port panel cover, another USB type A port is on the right side of the device.

MICRO USB

This MICRO USB port is a specification that allows VC331 connected with PC and another host device. To do data transfer, such as firmware upgrade, file transfer and more.

LAN Port

This LAN port is under the Left Port panel cover.



Earphone jack/ Volume/ Power

Ear phone jack Port

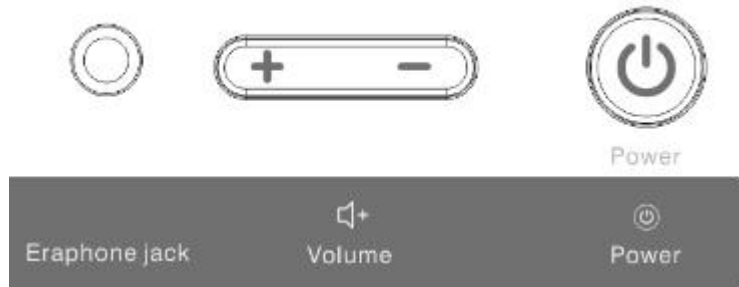
Ear phone jack port is allowed user insert headphone sets while listen the instructions doing the voting process.

Volume Button

Volume button is allowed user to adjustment device volume from low to loud.

Power Button

Power Button is allowed user to turn on and shut done the device.

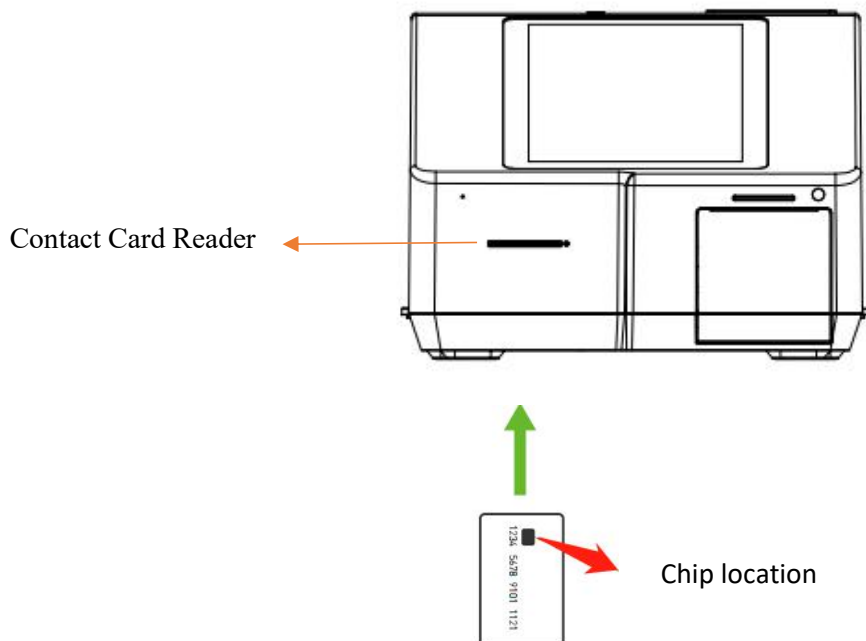


Contact Card Reader

While user looking at this device in the low right-side is the IC Contact Card Reader.

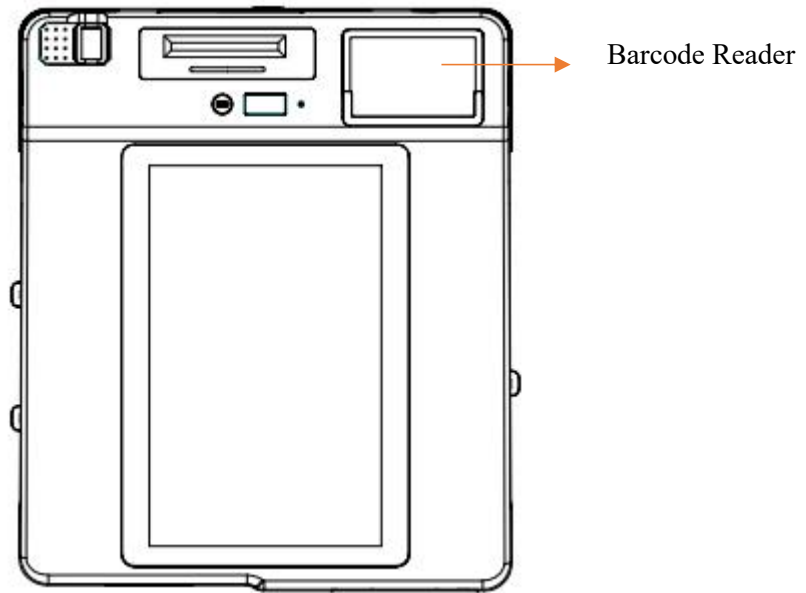
Always make sure that the smart chip on your card is facing you (visible to you) when you inserting to the slot.

Always insert smart chip side first (as indicated with arrow direction). See the picture below.



Barcode Reader

The barcode reader is a sub-miniature area image engine optimized for barcode reading. The engine captures digital images of a barcode for transmission to a decoder to decode a 1D or 2D barcode of any format supported by the decoding software. The scanner includes an LED illumination system.



Linear UPC-A barcode



2D QR code

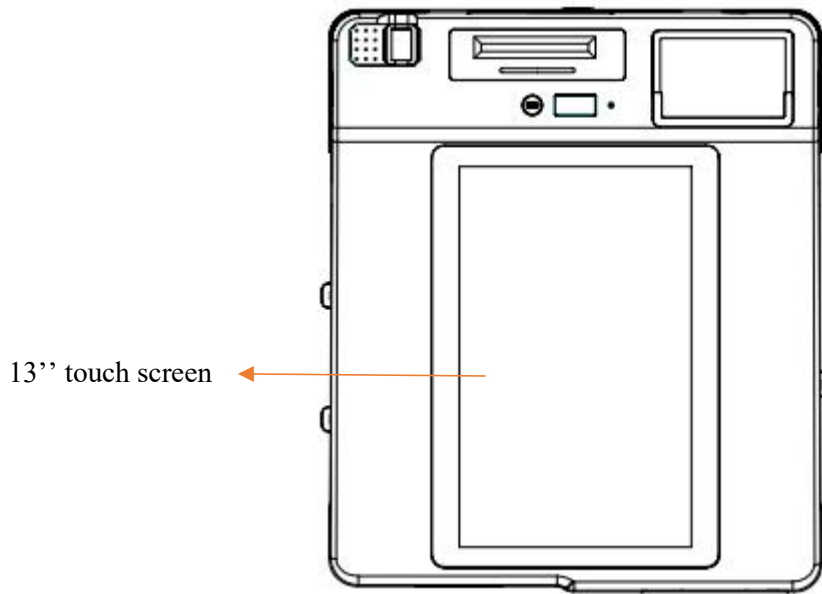


PDF417

Screen

The VC331 display with high brightness and high contrast is visible under strong sunlight or in outdoor environments.

Avoid direct sunlight when possible to avoid overheating. Your tablet screen is tough and scratch resistant, but direct impact of sharp objects and abrasive materials could cause damage and leave marks. Always handle with care.

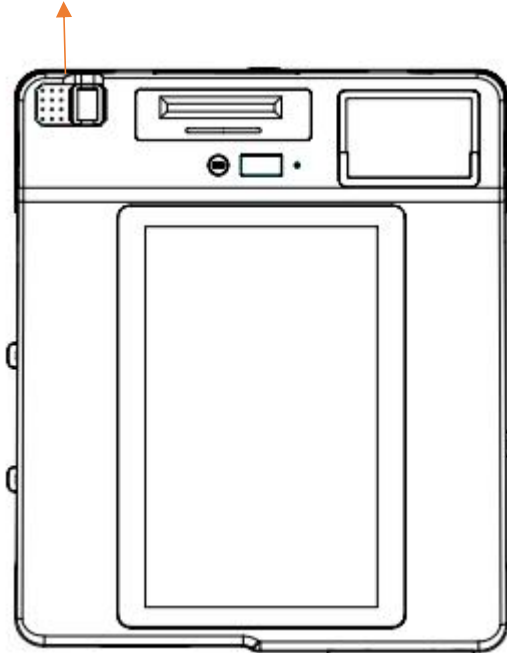


- *Keep your tablet display clean by using a soft, lint-free cloth. Use a damp microfiber cloth to take care of fingerprints, grime, and stubborn stains. Once all the stains are removed, wipe the screen again with a dry microfiber cloth. Always turn your device off before cleaning it. Never spray or drip cleaning liquid directly on screen. Never use harsh chemicals. Never use abrasive cloths or paper towels. Use a cotton swab to pick up dust and grime from the rim of your VC331 screen.*

Fingerprint Scanner

The VC331 can accommodate a FAP20 optical fingerprint scanner. Each fingerprint scanner is FBI certified to ensure fast high quality image capture.

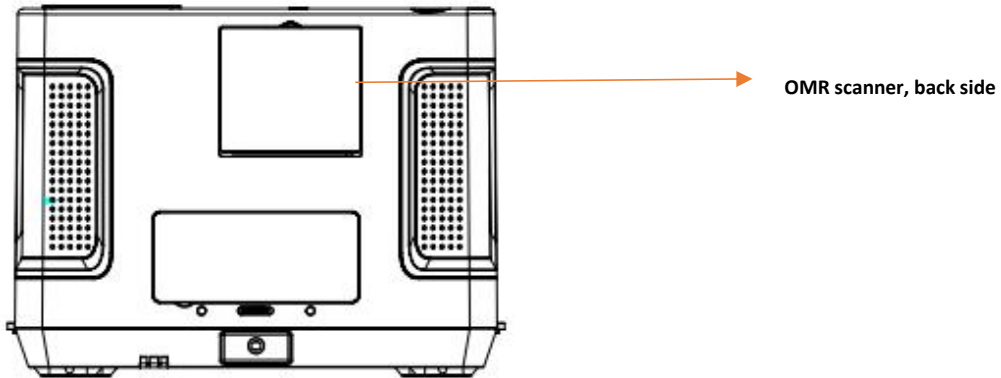
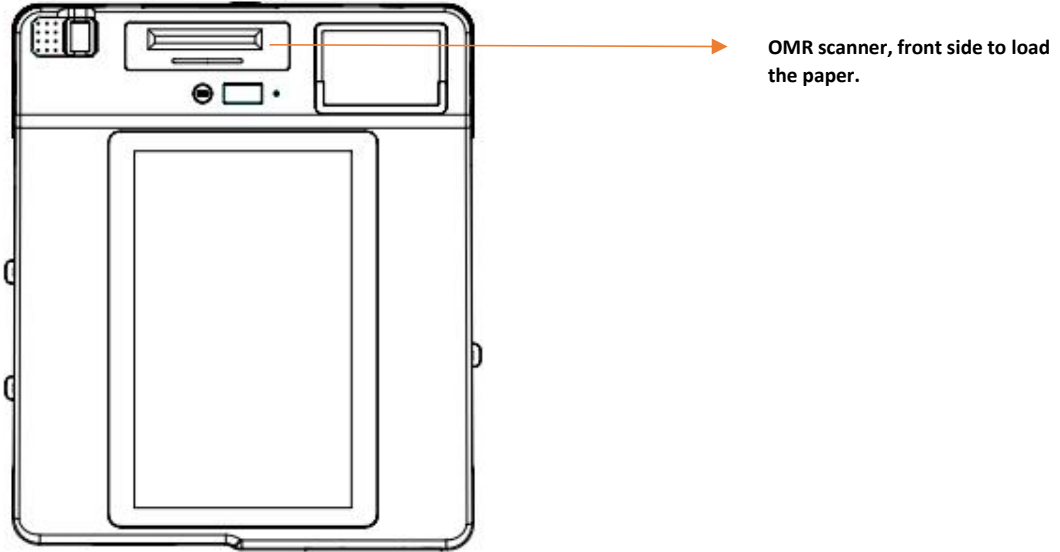
Fingerprint Scanner



The fingerprint sensor is software activated. Simply push down finger on the capture window. Do not use excessive force. Always keep the capture window clean.

Document Scanner

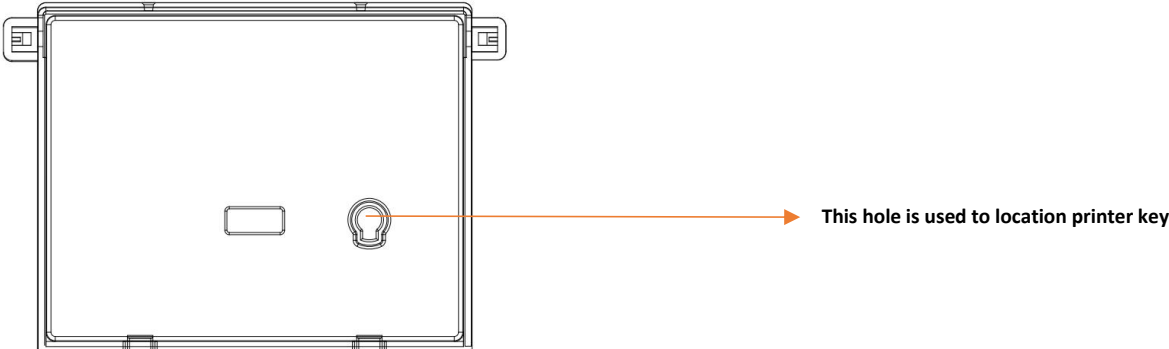
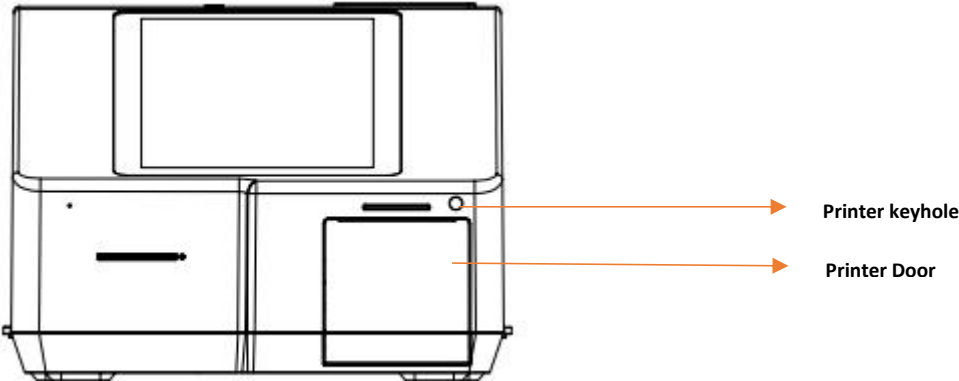
The document reader reads and converts the information on the paper-printed election ballot into an electronic format, which is convenient for reading and storing the information.



Noted: the election ballot receipt is 80mm thermal paper, OMR document reader can read all the content and barcode images. And convert to PNG format or another electronic format to storing the information.

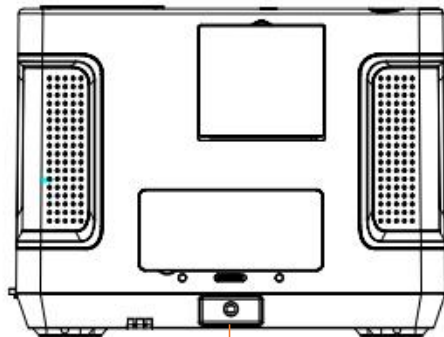
Thermal Printer

Thermal printing is a digital printing process which produces a printed image by selectively heating coated thermochromic paper, commonly known as thermal paper, when the paper passes over the thermal print head. The coating turns black in the areas where it is heated, producing an image.



Charger

The detachable mains power supply adaptor will connect to the DC Charge port on the VC331 device, and can either be used to supply power directly to the device or charge the device battery. The battery charging starts automatically.



Charging port

- When using the VC331 device for the first time, do not connect any peripheral device except the supplied battery and Charger.
- When handling the power (AC) adapter problems such as sudden voltage drops may arise during periods of thunder and lightning. Try to avoid using the power adaptor during these periods.
- When the charger is not connected to the unit, disconnect the AC cord from your electrical outlet. Power is consumed simply by having the Charger plugged into an electric outlet.
- Always hold the plug head when you unplug the connector, never pull out the cord.
- The Charger is designed for VC331 only. Connecting the Charger to another device can damage the adapter.

Charger detail:

Input of the charger: 100-240V, 50/60Hz, 2A; Output of the charger: 24V/5A, 120W

Note: Do not charge the battery when temperatures fall below 0°C or is above 45°C (below 32°F or above 113°F), as it may cause safety issues. Recharging the battery must only be carried out in a non-hazardous area using the supplied Charger. This power adapter is for indoor use only!

Battery

Conditioning a new battery

Before you use a battery pack for the first time, there is a conditioning process that you should follow:

1. Connect the Charger and fully charge the battery.
2. Turn on the device and complete setting up the operating system.
3. Disconnect the charger/adapter.
4. Operate the device using battery power.
5. Reconnect the Charger and fully charge the battery again.
6. Follow these steps again until the battery has been charged and discharged three times.

Use this conditioning process for all new batteries, or if a battery hasn't been used for a long time

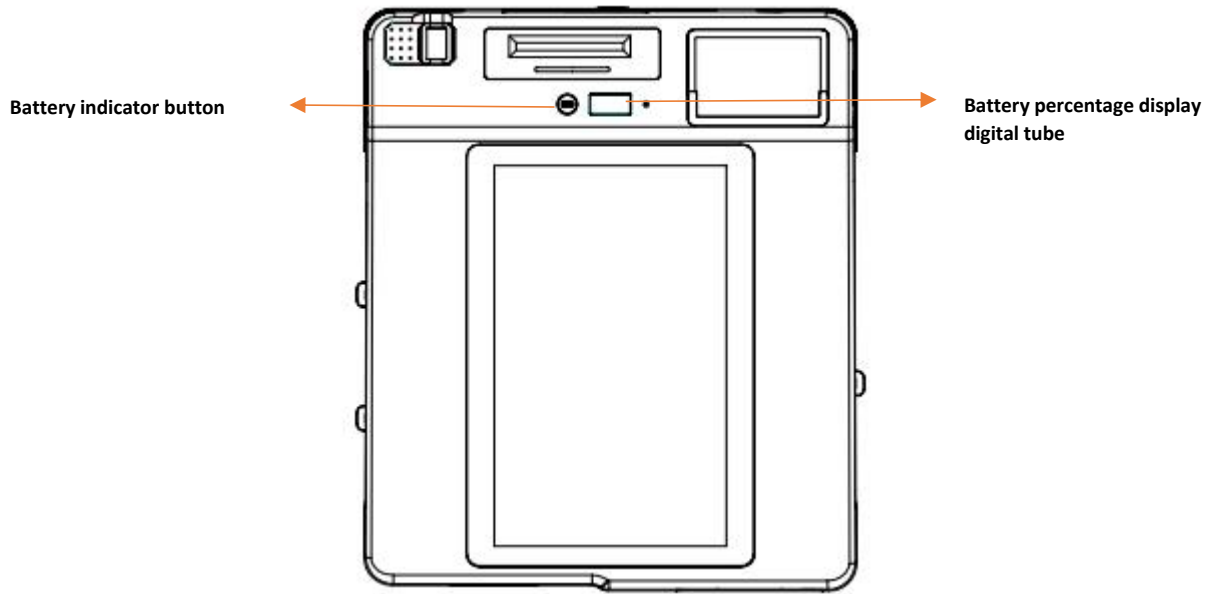
The battery conditioning process ensures your battery accepts the maximum possible charge. Failure to follow this procedure will prevent you from obtaining the maximum battery charge, and will also shorten the effective lifespan of the battery. In addition, the useful lifespan of the battery is adversely affected by the following usage patterns:

Using the device on constant AC power. Not discharging and recharging the battery to its extremes, as described above. Frequent use; the more you use the battery, the faster it will reach the end of its effective life.

How to check battery percentage

There is a battery indicator on the front side of device, press the battery indicator button, you can see the battery percentage on the digital tube:

The battery indicator should work independently regardless of whether the device is turned on or off, or even disconnected from the charger.



General battery safety information

Only use the specified battery and power supply provided.

Use of any other batteries or power supplies may result in fire, or damage to the device, battery, or operator. If the tablet is going to be stored for more than three months, remove the battery from the device to avoid battery damage or self-discharge. Do not disassemble the battery pack. There are no user-serviceable parts inside. Doing so may present risk of exposure to harmful chemicals, explosion or fire. Contact your local waste disposal service provider regarding the disposal or recycling of used batteries. Please adhere to local laws and regulations when it comes to recycling the battery.



WARNING: Using an incompatible battery increases the risk of fire or explosion. Replace the battery only with a compatible battery purchased from the manufacturer. The battery is designed to work with your VC331 device. Do not use a battery from any other device.



WARNING: Before removing or replacing the battery, turn off the device, disconnect the Charger from the electrical outlet and remove any other external cables from the device.



WARNING: Not for use in hazardous locations

Technical Specification

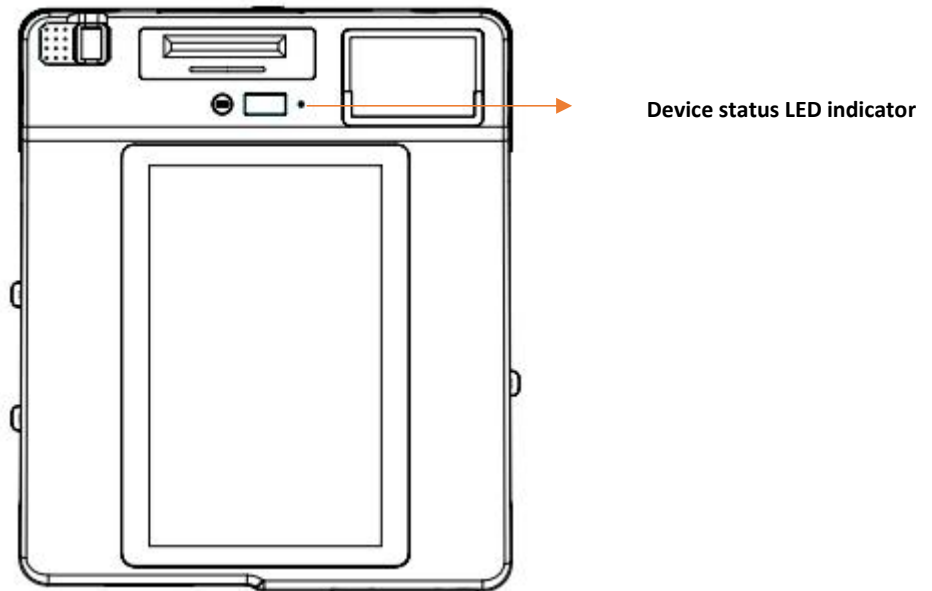
OS	Android 10
Processor	Quad-core 2.0 GHz, A53, 64bit
Memory	3G RAM + 32G ROM
Screen	13.3 Inch, 1080*1920
USB ports	Micro USB *1
	USB2.0 TYPE A*2
SIM Card	Micro SIM Card *2
Expansion Card TF card	Up to 256G
Handset	3.5mm
Battery	13000mAH, 11.1V, 144.3 WH, Removable
Charger/Adaptor	Input: 110-240V 50/60 Hz Output: 24 V/5A
Connections	3G/4G, GPS, AGPS, Bluetooth 5.0, WIFI(ac/a/b/g/n)
Fingerprint scanner	Morpho E3
Barcode Reader	PDF417, QR Code, Data Matrix
Printer	80mm, thermal paper, auto-cut
Document Scanner	Width: 82mm, length:70-350mm 300dpi
Contact card reader	ISO7816
Dimension	418*354*269mm
Packaging (Case)	Carton box with foam and cut outs for accessories

Basic operation

- *Note that most basic operation instructions are based on the Android 10 operating system.*
- *Should you use an alternative operating system, please contact the appropriate supplier for operating instructions.*
- *Modifying the device's operating system or installing software from unofficial sources may result in device malfunctions and data corruption or loss. These actions are violations of your VC331 license agreement and will void your warranty.*

Turn device ON

- Press and hold down the power ON/OFF button located on the right side of the device for at least 3 seconds and release to power-on the unit.
- The VC331's boot logo will appear on the display.
- The LED light will illuminate blue when device is active.
- Please be patient and give the device a few minutes to start up completely before activating any software programs



Turn device OF

- Step 1: Press and hold down the power ON/OFF button located on the left side of the device until the "Device Options" dialog box appears on the screen.
- Step 2: Tap "Power Off" in the dialog window. The device will shut down.

Cleaning device

Turn off your device. Disconnect any attached devices, headphones, speakers, and keyboard dock from the tablet and from their electrical outlets.

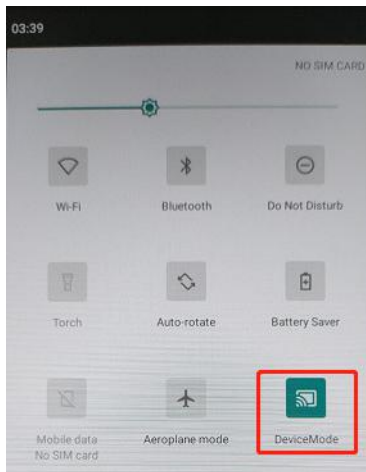
Use a soft microfiber cloth moistened with water or a non-alkaline detergent to wipe the exterior of the tablet. Do not allow water from the cloth to seep down to the tablet ports when doors are open.

Gently wipe the display with a soft, lint-free microfiber cloth. Do not use alcohol or detergent on the display.

FAQ

1. How to enable USB Device Mode?

- Please follow below steps:
 - Swipe down to open the notification shade drop-down menu.
 - Click the DeviceMode icon, then the USB Device Mode will be enable.



2. How to transfer files between VC331 and PC, why VC331 can't be found in my PC?.

- Please follow below steps:
 - Enable **USB device mode**.
 - Connect a PC by a Micro cable.
 - Click and open the notification message(**Android system.Charging this device via USB**).
 - Choose **File transfer** option
 - Open your PC, you can find VC331 is in your PC and you can transfer file between VC331 and your PC..
 - After file transfer, unplug the Micro USB cable and disable the **USB device mode**.

3. Why I can't use Fingerprint after I transfer files between device and PC?

- When you transfer files between the device and the PC, you need to enable the **USB device** mode. .
- After file transfer, you have to disable the **USB device** mode unless your fingerprint can't work..

4. Is there a way we could do debugging from PC while keeping the fingerprint on?

- Yes, Please use **WI-FI-debugging**. Detailed steps can be found in Q5.

5. Why and how to do Wi-Fi Debug?

- Due to one USB port design in motherboard, fingerprint and Micro USB cannot be used at the same time.
- Steps for Wi-Fi debug:
 - 1) Turn on Android device USB Debugging and enable USB device mode , then connect device with PC.
 - 2) Turn on Wi-Fi and connect the device to local area network, make sure your Android device and PC can communicate with each other in local area network.
 - 3) Open command line and enter command like below:
 - **adb tcpip 5555**
 - **adb shell netcfg**
 - 4) Find your Android device IP address, (such as **192.168.XXX.XXX**),then disconnect the device, and enter command on PC:
 - **adb connect 192.168.xxx.xxx**
 - 5) Disable the USB device mode.
 - 6) Then, you can debug through Wi-Fi.

FCC Statement

1. This device complies with Part 15 of the FCC Rules. Operation is subject to the following two conditions:

(1) This device may not cause harmful interference.

(2) This device must accept any interference received, including interference that may cause undesired operation.

2. Changes or modifications not expressly approved by the party responsible for compliance could void the user's authority to operate the equipment.

NOTE:

This equipment has been tested and found to comply with the limits for a Class B digital device, pursuant to Part 15 of the FCC Rules. These limits are designed to provide reasonable protection against harmful interference in a residential installation.

This equipment generates uses and can radiate radio frequency energy and, if not installed and used in accordance with the instructions, may cause harmful interference to radio communications. However, there is no guarantee that interference will not occur in a particular installation. If this equipment does cause harmful interference to radio or television reception, which can be determined by turning the equipment off and on, the user is encouraged to try to correct the interference by one or more of the following measures:

Reorient or relocate the receiving antenna.

Increase the separation between the equipment and receiver.

Connect the equipment into an outlet on a circuit different from that to which the receiver is connected.

Consult the dealer or an experienced radio/TV technician for help.

To comply with FCC RF exposure requirements, a minimum separation distance of 30 cm must be maintained between the user's body and the transmitter.