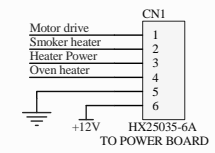
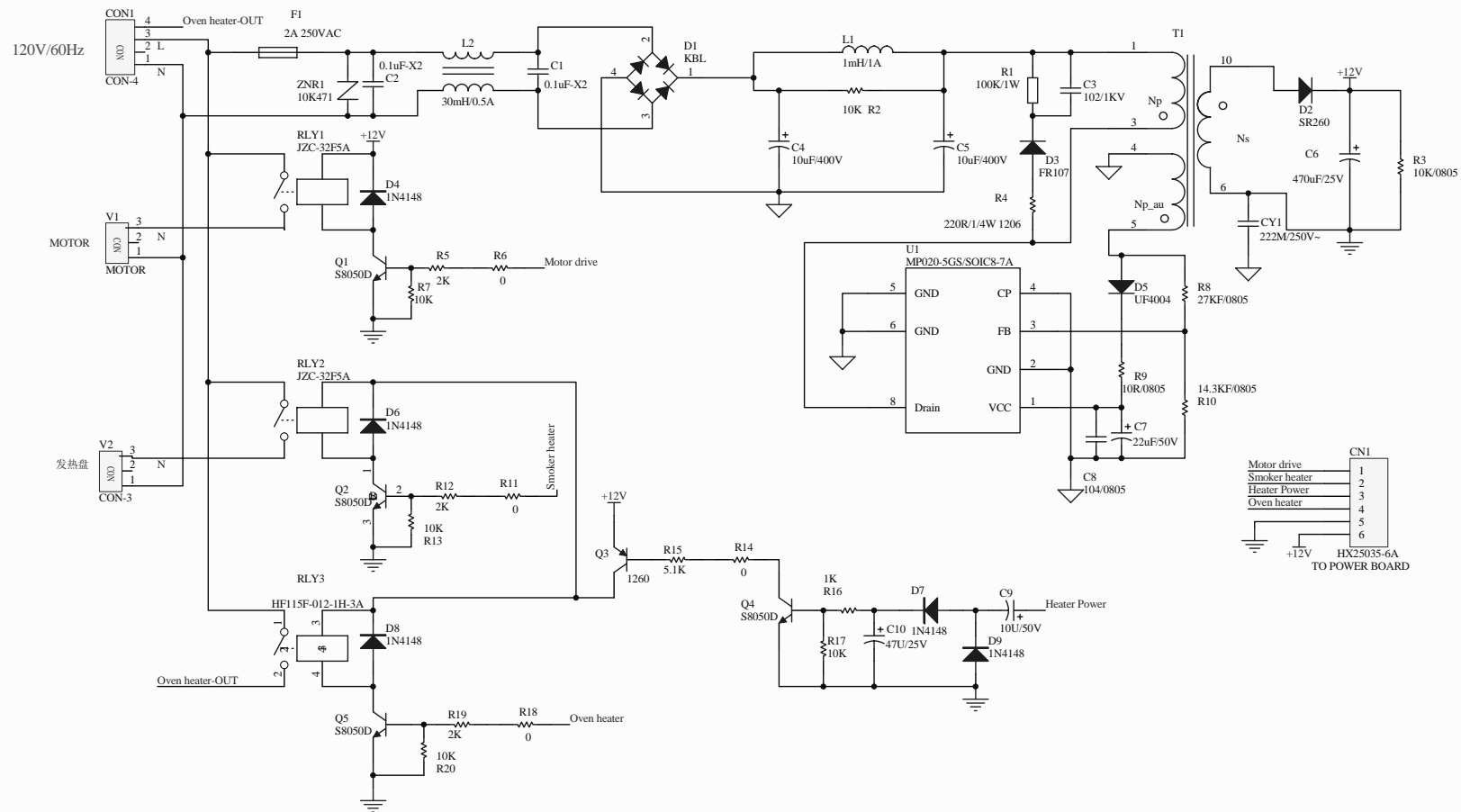


Size	Number	Revision
A4		
Date:	2015-11-6	Sheet of
File:	E:\试制文件夹\..YX155_DL03 20140110	Drawn By:



Title		
Size	Number	Revision
A3		
Date:	2015-11-6	Sheet of
File:	E:\试制文件夹\YX155_DL02.sch	Drawn By: