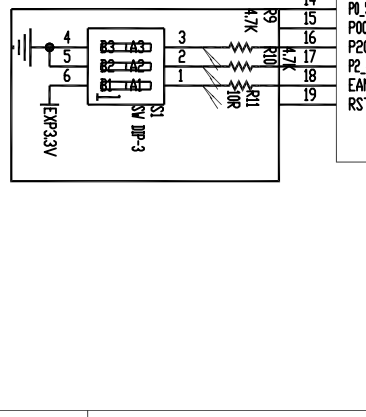
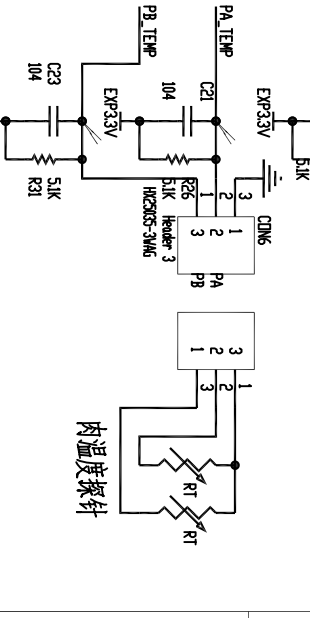


光电感应组件



箱体温度探头



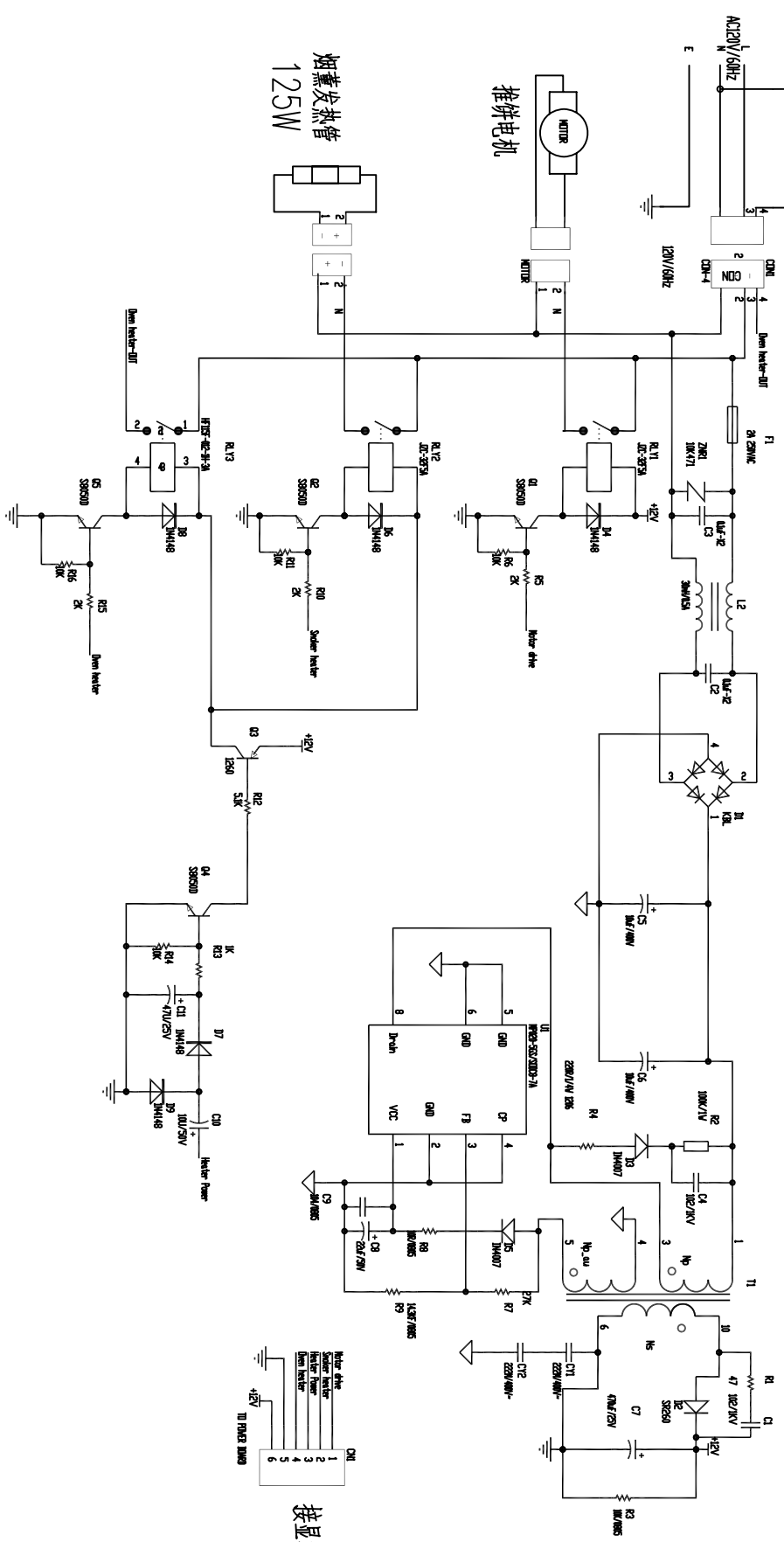
肉温度探针

箱体发热管 热熔断保险丝
 157°C
 500W 125V/15A

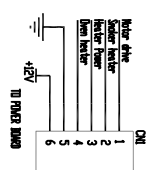
推烘电机

烟熏发热管
 125W

4



按显示器



schematic description

1, Button and user operation interface : TFT display screen and touch button.

2,MCU : include temp. and door control switch signal, it connected with

Bluetooth communication and TFT screen communication.

3, Bluetooth module: The operation frequency range is from 2402HMz to 2480

MHz, the radio utilizes an internal PCB antenna, with a maximum gain of 2dBi.

Modulation type is GFSK. The function of the Bluetooth is to receive the date

and display on the LED.

4. Power board: Transfer the AC120V to DC12V, provide power for other

circuit.