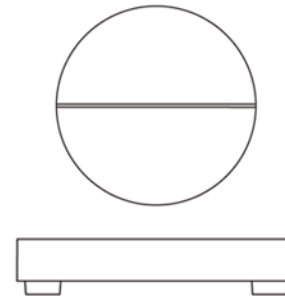


1 PRODUCT FEATURES

- 1.Stereo Bluetooth playing
- 2.Maglev design, 360 surround, to avoid the resonant noise
- 3.Class D digital power amplifier system, combined with the speaker characteristics, through the DSP(digital signal processor) electronic crossover design, making high and low sounds smooth and natural.
- 4.Hands-free call with loudspeakers, talking clearly.
- 5.The touch control speaker system.



2 TECHNICAL SPECIFICATIONS



Technical specifications:

Output power	RMS 10W
Signal to noise ration	≥85dB
Distortion	≤0.5%
Sensitivity	600±100mV
Drive unit	52mm
Audio input	Bluetooth CSR8635 V4.0
Frequency response	150Hz-20KHz
Power supply	Base: DC 12V 2A adapter Speaker: Polymer lithium battery 3.7V 1200mAh X2
Product size	Base: 140x140x27 mm Ball speaker: φ100mm

3 OPERATION INTRODUCTION

Note: firstly plug in adapter charging for the base(make sure the power supply)



USER GUIDE

用户手册

Both hands holding the speaker, making the middle line of the speaker always parallel to the plane of the base.
Make the speaker always centered in the center of the base

Both hands pressure the speaker at the base plane for about 5mm, then reduce hand press pressure, at the time you will fee the ball forward, backward, left, right, an arbitrary direction deviation, you just need to simply drag the offset direction to the center, then slowly loosen your hands, speaker will float above the base.

4 BLUETOOTH PAIRING

- 1 Touch the power button @he speaker Red light flashing into the pairing mode
- 2 Open the smartphone Bluetooth find A1, connecting to speaker



USER GUIDE

用户手册

Bluetooth speaker didn't play music in 10 minutes, it will be off automatically, please complete pairing with the mobile phone during this period

后蓝牙进入关机状态

5 PRODUCT FEATURES

Speaker control on the base:

- ⊖ Power Button:
 - 1.Touch the button turn on the speaker
 - 2.The LED flash to pair the bluetooth
 - 3.Touch long time to release the bluetooth, connecting other bluetooth
 - 4.The speaker will turn off after 10 minutes without music playing

USER GUIDE

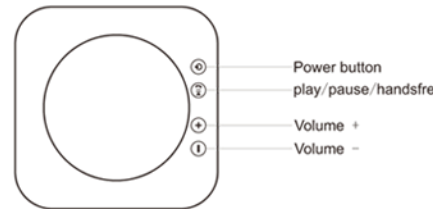
- ⊖ Pause/ play/ hands free call: Short touch control play and pause
Hands-free call: Short touch the phone call

- ⊖ Volume- : Short touch, the volume down

- ⊕ Volume+: Short touch, the volume up

LED Indicator:

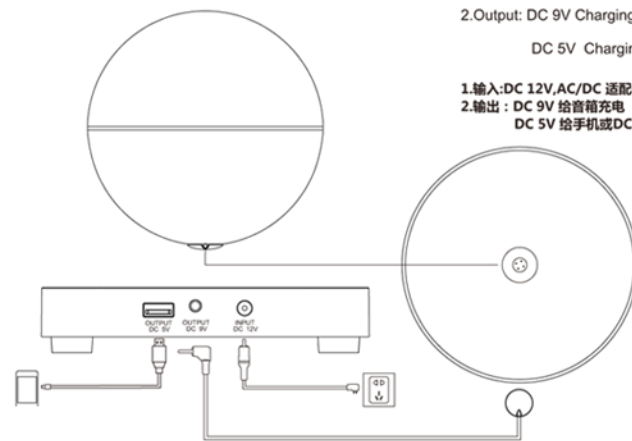
- (1) Bluetooth indicator: LED flashing fast during pairing bluetooth, after success of the Bluetooth connection, red light normally on.
- (2)Charging indication: connect the charger cable, green LED normally on, after full charge the green LED off (off condition also work)



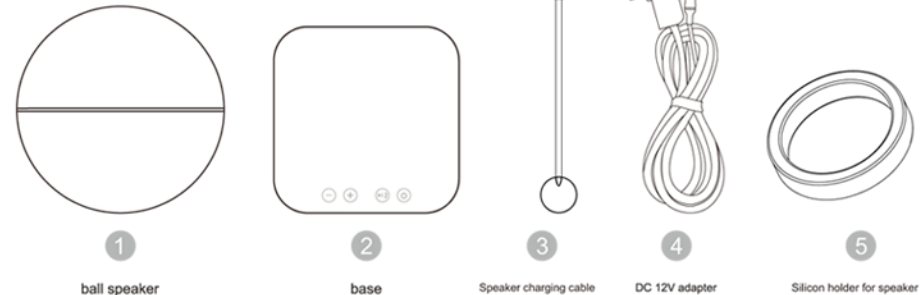
6 PRODUCT CHARGING 产品充电

- 1.Input :DC 12V,AC/DC adapter Charging to the base
- 2.Output: DC 9V Charging to the speaker
DC 5V Charging to smartphone or other DV 5V device

- 1.输入:DC 12V,AC/DC 适配器给底座充电
- 2.输出: DC 9V 给音箱充电
DC 5V 给手机或DC 5V设备充电



7 PRODUCT ACCESSORIES



USER GUIDE

8 FAQ

- Why I can't suspend the speaker?
A: Check whether the base is charging.
B: Practice a few times to get the skill.
- How to check the base whether have the power?
A: Charged your mobile phone by the USB port of the base
B: Through charging the speaker to check the indication of speaker whether on light
- Why there is no reaction when I touch the botton?
A: Because the wireless touch control button is controlled by MCU, it will delay about 2-3 seconds.
B: May be the speaker is in low voltage ,please charge!
C:The touch button can not be used when the speaker charging;
- Why the speaker sounds stopped suddenly?
A : On this condition, means the speaker is in low voltage, to protect the speaker, the speaker will be off automatically, so it need to be charging in time.

USER GUIDE

⚠ Don't put the goods that can be magnetized close to this product, such as mobile phones, watches, credit card, ect.

9

FCC Warning Statement

Changes or modifications not expressly approved by the party responsible for compliance could void the user's authority to operate the equipment. This equipment has been tested and found to comply with the limits for a Class B digital device, pursuant to Part 15 of the FCC Rules. These limits are designed to provide reasonable protection against harmful interference in a residential installation. This equipment generates uses and can radiate radio frequency energy and, if not installed and used in accordance with the instructions, may cause harmful interference to radio communications. However, there is no guarantee that interference will not occur in a particular installation. If this equipment does cause harmful interference to radio or television reception, which can be determined by turning the equipment off and on, the user is encouraged to try to correct the interference by one or more of the following measures:

- Reorient or relocate the receiving antenna.
- Increase the separation between the equipment and receiver.
- Connect the equipment into an outlet on a circuit different from that to which the receiver is connected.
- Consult the dealer or an experienced radio/TV technician for help.

USER GUIDE



USER GUIDE

MAGLEV SPEAKER