

Matthew

Wireless Charging Mat

Quick Start Guide

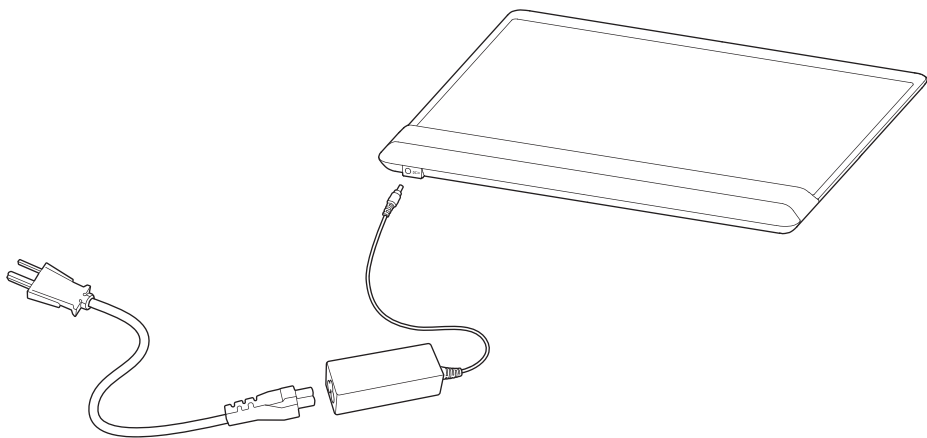


Meet Matthew, a Wireless Charging Mat.

You're only a few steps away from wireless charging.

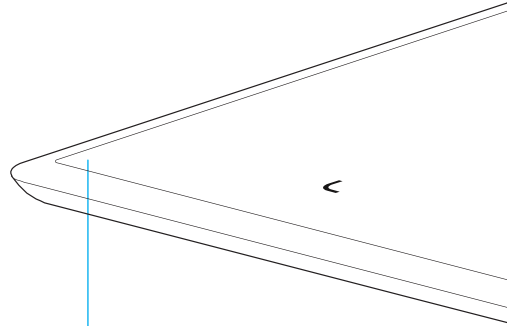
First

Let's plug Matthew in.



Next

Put your device on the mat, and you're charging!
Here are a few tips to remember:



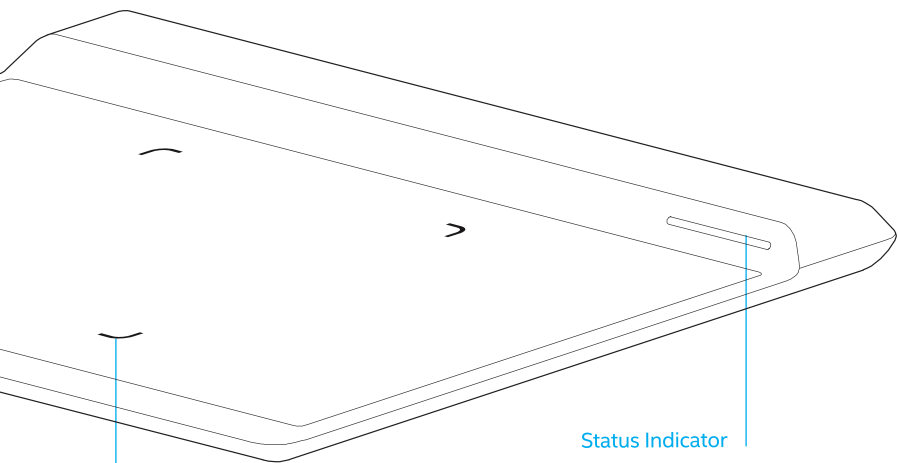
Charging Surface

Matthew can simultaneously charge:

- One laptop, or
- One tablet and one phone, or
- Up to three phones



Matthew uses Rezen technology, so your devices must also use Rezen to charge.



Surface Indicators

These corners indicate the active charging area, make sure smaller devices are placed within them with the screens facing up.

Status Indicator

Different lights mean different things:

White

Ready to charge

Green

Charging

Amber (Breathing)

Firmware update in progress

Amber (Blinking)

Error

If you see a blinking amber light, check your device for more information.

That's it!

Really, that's it.

Email us if you have
any questions

matthew_charger@intel.com

Matthew was designed by

