

WAVETEC[®]

UnoQ System
Model: TBD
Specification Sheet

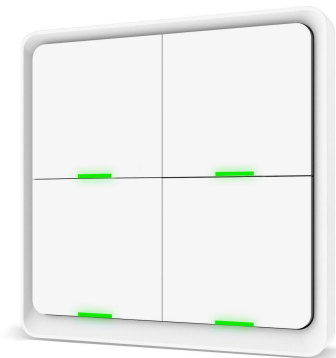
Product code: 701-006x-000x-0A

Copyright © Wavetec - www.wavetec.com

UnoQ System

Product code: 701-006x-000x-0A

Model: TBD



Features:

Wireless Station Light

- Frameless Elegant Design
- Transparent Acrylic with Laser Etched Number
- Multi-Color Options (RGB)
- Wireless communication
- ECO friendly and low power consumption
- Light weight with Aluminum base
- Flexible Mounting Options

Wireless Calling Handset

- Light Weight & Elegant Design
- 4 buttons with LED indication
- Wireless communication
- ECO friendly and low power consumption
- Mechanical Buttons with long life
- Battery Powered
- Plug & Play (easy to configure)

Zigbee Dongle

- Light Weight & Elegant Design
- Operating Systems: Windows, Raspbian, Ubuntu, macOS
- Wireless communication
- ECO friendly and low power consumption
- Aluminum alloy exterior

<u>Wireless Station Light</u>		
Display	Display Type	Transparent Acrylic
	Acrylic Dimensions (Width x Height)	6" (152.4mm) x 7.5" (190.5mm)
	Acrylic Thickness	8mm
	Design	Acrylic with Laser Etched Number
Illumination	LED	RGB LED
	Multi-Color	7 basic colors (Red, Green, Blue, Magenta, Yellow, Cyan, White)
Communication	Wireless standard	ZigBee 3.0
	Wireless Range	25m (clear line of sight, with mesh network)
	Operating Frequency	2.4GHz
Power	Power Adapter	12V DC, 1A, (3.3 ft. / 1m DC Cable length with 2.1mm DC male plug)
	Adapter Input	~100-240V (AC) 50/60 Hz
	Power Consumption	9 Watts approx.
	Switch	Power ON/OFF latching switch illuminated with green LED
	Station light power input	12V DC 6" (152mm) cable with 2.1mm DC female plug
Physical	Dimensions (W x H x D)	6" (152.4mm) x 10.5" (266.7mm) x 1.18" (30mm) approx.
	Material	Aluminum base with Acrylic top
	Color	Black or Gray, Matt finish
	Weight	< 1.5 kg
Mounting Options	Ceiling Mount	Length: 12" / 24" / 36" / 48", (305mm / 609mm / 914mm / 1220mm) 4 poles can be joined each of 12" (304mm)
	Table Mount	Length: 12" / 24" / 36", (305mm / 609mm / 914mm) 3 poles can be joined each of 12" (304mm)
	Pole	Diameter: 1" (25.4mm) Length: 12" (304.8mm) Material: Aluminum Powder Coated
	Base Mount	ABS plastic base and cover, 3 x screws,
Environment	Operating Temperature	-10-40 °C
	Humidity	Maximum 85% (relative humidity, non-condensing)
<u>Wireless Calling Handset</u>		
Buttons	Total buttons	4 Buttons
	Functions	Buttons can be configured for various functions. For example; Button 1: Counter Open Button 2: Counter Close Button 3: Call Button 4: Call

	Indicator	Green LED on each button
	Type	Mechanical
	Life	500k clicks
Communication	Wireless standard	ZigBee 3.0
	Wireless Range	25m (clear line of sight, with mesh network)
	Operating Frequency	2.4GHz
Power	Power Input	Battery powered CR2430 button cell
	Standby Current	10uA
	Battery Life	30k clicks approx.
Physical	Dimensions (W x L x H)	3.39" (86mm) x 3.39" (86mm) x 0.51" (13mm)
	Material	ABS Plastic
	Color	White, Matt finish
	Weight	< 120g
Environment	Operating Temperature	-10-40 °C
	Humidity	Maximum 85% (relative humidity, non-condensing)
<u>Zigbee Dongle</u>		
Communication	Wireless standard	ZigBee 3.0
	Wireless Range	25m (clear line of sight, with mesh network)
	Operating Frequency	2.4GHz
Power	Power Input	DC 5V (100mA Max)
Physical	Dimensions (W x L x H)	75mm x 25.5mm x 13.5mm
	Material	Aluminum alloy
	Color	Black, Matt finish
	Weight	< 40g
Environment	Operating Temperature	-10-40 °C
	Humidity	Maximum 85% (relative humidity, non-condensing)

Packaging Items

Optional Items

Item Name	Product Code	Item Name	Product code
Wireless Station Light	701-0062-0000-0A OR	Pole(s), 2 pcs	759-0209-0000-0A
WSL-Z6MC (Ceiling Mount) OR		DC Extension Cable, 2m	499-0338-0000-0A

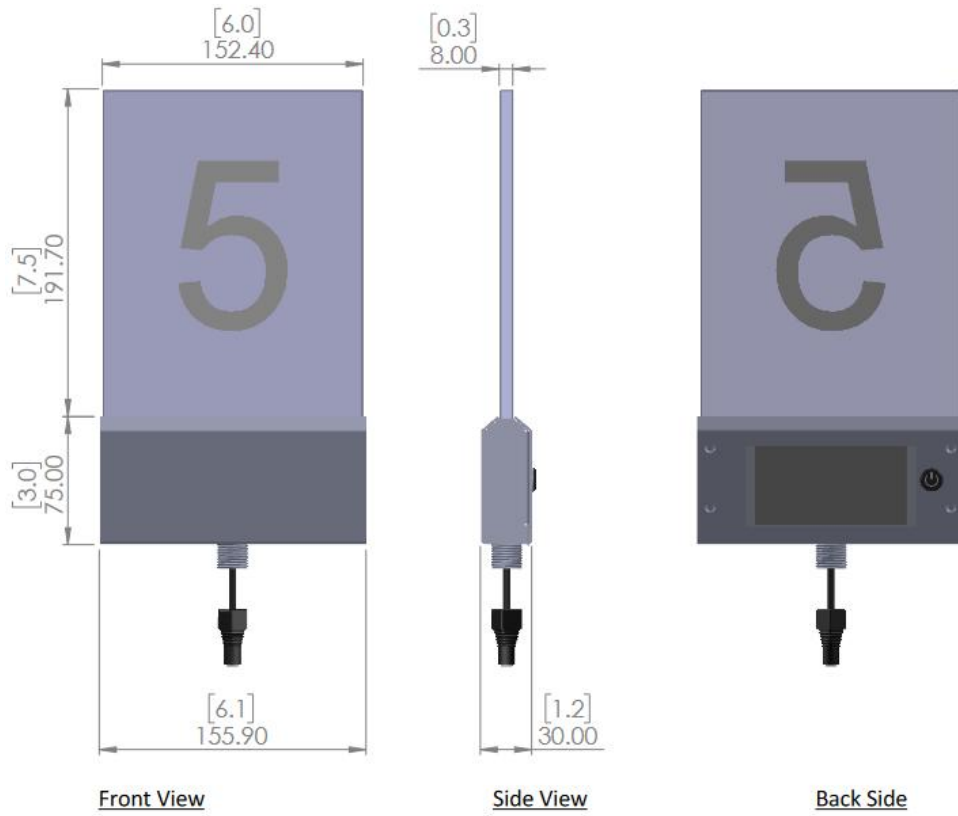
WSL-Z6MT (Table Mount)	701-0062-0001-0A	Power Adapter 12V, 1A (3pin - British Plug) Cable length 1m , DC plug 2.1mm	499-0337-0001-0A
Pole(s) 2 pcs	759-0209-0000-0A		
Pole Base Mount with cover, 3 x screws	759-0210-0000-0A		
Power Adapter 12V, 1A (2pin - US Plug) Cable length 1m , DC plug 2.1mm	499-0337-0000-0A		
Wireless Calling Handset	701-0065-0000-0A		
Battery CR 2430 x 1	499-0336-0000-0A		

*Sales person needs to specify the Station Light Model (Ceiling mount/Table mount) and also the adapter power plug type as per their region

Dimensions and Layout

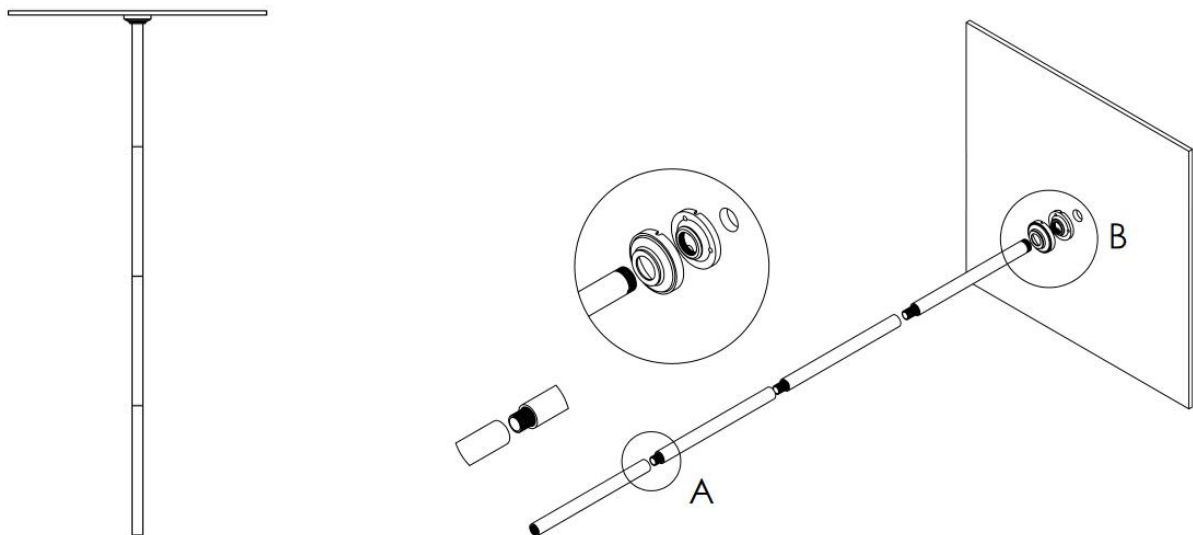
**Wireless Station Light:
Model: WSL-Z6MC/T**

701-0062-000x-0A



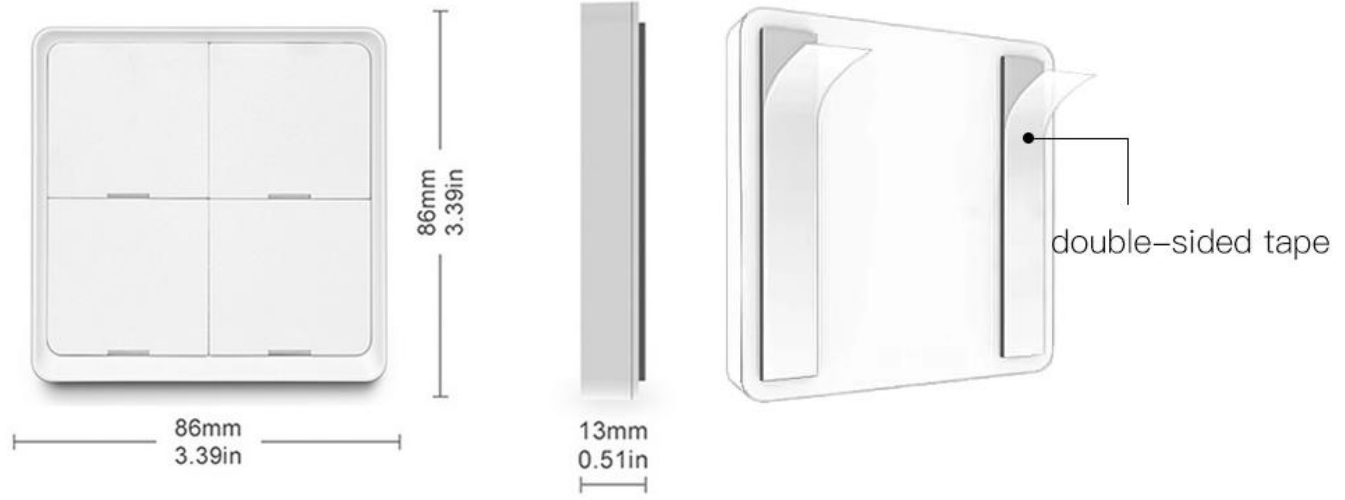
*All dimensions are in mm and inches.

Mounting Pole & Base Mount:



Wireless Calling Handset
Model: WH-Z4B

701-0065-0000-0A



This device complies with Part 15 of the FCC Rules. Operation is subject to the following two conditions: (1) this device may not cause harmful interference, and (2) this device must accept any interference received, including interference that may cause undesired operation

NOTE: This equipment has been tested and found to comply with the limits for a Class B digital device, pursuant to Part 15 of the FCC Rules. These limits are designed to provide reasonable protection against harmful interference in a residential installation. This equipment generates, uses and can radiate radio frequency energy and, if not installed and used in accordance with the instructions, may cause harmful interference to radio communications. However, there is no guarantee that interference will not occur in a particular installation.

If this equipment does cause harmful interference to radio or television reception, which can be determined by turning the equipment off and on, the user is encouraged to try to correct the interference by one or more of the following measures:

- Reorient or relocate the receiving antenna.
- Increase the separation between the equipment and receiver.
- Connect the equipment into an outlet on a circuit different from that to which the receiver is connected.
- Consult the dealer or an experienced radio/TV technician for help.

Warning: changes or modifications not expressly approved by the party responsible for compliance could void the user's authority to operate the equipment

The device has been evaluated to meet general RF exposure requirements, the device can be used in portable exposure condition without restriction