

**WAVETEC**<sup>®</sup>

**M18 TDU - Bixolon**  
Specification Sheet

Product code : 701-0026-0009-0A

Copyright © Wavetec - [www.wavetec.com](http://www.wavetec.com)

# M18 TDU - Bixolon

Product code: 701-0026-0009-0A



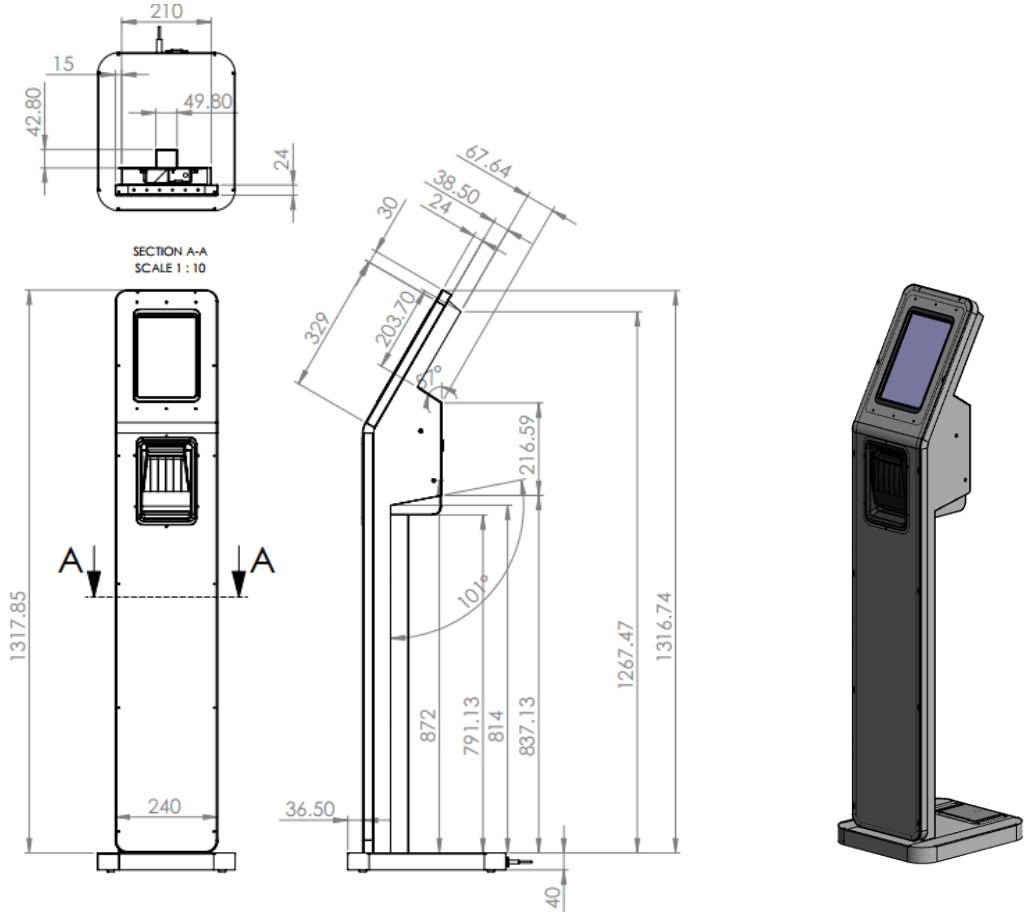
## Features:

- 10.1" highly responsive capacitive LCD touch screen
- High speed and quality printing
- Easy and Centralized ticket configuration and screen template design
- Content Scheduling
- Unlimited branding options

<b>Processor System</b>	CPU	Quad Core 2.0 GHz
	System Chipset	ARM Cortex A9
	Operating System	Android OS, V4.4 (KitKat)
<b>Memory</b>	Internal	8 Gb built-in storage
	RAM	2 Gb DDR
	LAN	Ethernet 10/100 BaseT
	USB	For upgrade only
<b>Power Requirement</b>	Power Input	~100-240v (AC) 50/60 Hz
	Power Consumption	35 Watts
<b>Display</b>	Display Type	10.1 inches TFT, 16.1M colors
	Touch Screen	Capacitive Touch Screen
	Touch Points	Single Point Touch
	Resolution	1280 x 800 pixels
<b>Printer</b>	Resolution	180 dots/line
	Effective Printing Area	70mm

	Type of Paper	Thermal Rolls
	Paper Width	80mm
	Paper Roll Diameter	Max 83mm
	Printing Speed	150mm/sec (Low) – 200mm/sec (High)
	Head Life	150km @ 12.5% print ratio
	Cutter Life	1.8Million cuts (Partial cuts)
<b>Mechanical</b>	Dimensions	1357 (H) x 370(D) x 322 (W) mm (without packaging) 1340 (H) X 370(D) X 430(W) mm (with packaging)
	Material	Metal
	Weight	27 Kg (without packaging) 39 Kg (with packaging)

# Dimensions and Layout



## Packaging Items

Item Name	Product Code
M18 TDU	701-0026-0009-0A
Power cord with 3-Pin British Plug	499-0019-0000-0A

## Optional Items

Item Name	Product code
Power Cord	431-0013-0000 (2 pin EU)
M18 TDU with OCR Reader	701-0026-0006-0A
M18 TDU with DIP Card Reader	701-0026-0007-0A

## FCC WARNING

This device complies with part 15 of the FCC Rules. Operation is subject to the following two conditions: (1) this device may not cause harmful interference, and (2) this device must accept any interference received, including interference that may cause undesired operation.

Any changes or modifications not expressly approved by the party responsible for compliance could void the user's authority to operate the equipment.

NOTE: This equipment has been tested and found to comply with the limits for a Class B digital device, pursuant to Part 15 of the FCC Rules. These limits are designed to provide reasonable protection against harmful interference in a residential installation. This equipment generates, uses and can radiate radio frequency energy and, if not installed and used in accordance with the instructions, may cause harmful interference to radio communications. However, there is no guarantee that interference will not occur in a particular installation. If this equipment does cause harmful interference to radio or television reception, which can be determined by turning the equipment off and on, the user is encouraged to try to correct the interference by one or more of the following measures:

- Reorient or relocate the receiving antenna.
- Increase the separation between the equipment and receiver.
- Connect the equipment into an outlet on a circuit different from that to which the receiver is connected.
- Consult the dealer or an experienced radio/TV technician for help.

To maintain compliance with FCC's RF Exposure guidelines, This equipment should be installed and operated with minimum 20cm distance between the radiator your body: Use only the supplied antenna.