



Recommended configuration



System	Windows 7 64bit/Windows 8 64 bit/ Windows 10 64 bit,
CPU	Intel i5-6500 or same performance and above
VGA card	NVIDIA GTX1060 and above
RAM	8GB and above

Installation & connection

Connect and search helmet to the desktop computer

Put the helmet on the table horizontally, insert general 3.5mm earphone into the helmet; Earphone interface; connect DP interface/USB interface three-in-one USB cable to the computer mainframe.

Note: connect USB cable to the post USB interface of computer mainframe.

Install management software

To better use VR helmet, please use ViuLux management software cooperatively, extract the zip file inlife to the folder with the same name.

download management software: <http://www.3dini.com/ser vice/davnl oa d/>

Note: * open with safety fireproof end or helmet driver of other categories, abnormal startup of management software might be caused .please close these programs when starting the management software.

In case of initial installation of management software failed, please right-click on the installation icon of management software, choose "run as administrator" to reinstall.

* Installation of management software completed, there will be one icon of VR STATION on the desk surface, double click to run

* Viulux management software might not support some specific game or video. To run such game or video, please refer to "display setup".

Display setup

Click right button on computer desk surface, choose "screen resolution", the window shown in the following Fig., will pop up.

Note: if there are two screens displayed in window, it indicates VR helmet has been correctly connected to the computer and identified. If there is only one screen displayed in window, it indicates that VR helmet is not correctly connected and identified. Please refer to the part of "connect and install VR helmet" in this manual.



Note: * in "display" option, generally default option **【computer monitor】** is main display. When running specific game or 3D video, please project the game or video onto the image of **【ViuLux V9】** .

* In "resolution" option, please set resolution as **【2880*1440】** .

* In "direction" option, generally default option **【crosswise】** , but the display direction inside helmet might be different according to different VGA card.

* In "multi-display" option, please select "expand these displays"

Settings

Before using ViuLux V9, confirm whether DP and USB interface of computer works normally. When using ViuLux V9, please confirm whether DP/USB three-in-one USB cable has been connected to the computer;

Before using ViuLux V9, please refer to "Using Guidance for ViuLux V9 Management" to install ViuLux management software; the tightness degree of the headband of ViuLux V9 helmet can be adjusted. Please adjust to the comfort according to personal practical situation; when not using DP interface/USB three-in-one data cable, please unplug it.

In this way, the service life of the product can be extended. Prohibit fiercely bending the data cable to avoid damaging it.

Settings



Star wheel double-screen

helmet V9 X1



User manual

X1



Three-in-one data cable

X1



Product warranty and three

guarantees X1



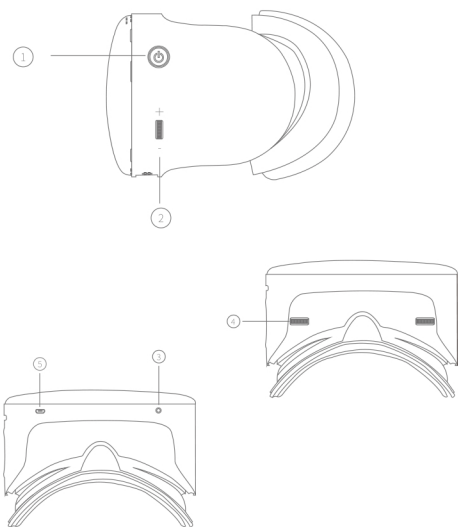
Certificate of quality

X1





Button description



1. Power button
Press to start
Under On-state, press the button to adjust brightness, adjust one gear of brightness.
2. Volume button
Idle wheel, adjust the volume
3. Phone out
Support 3.5mm standard earphone
4. PD adjustment button
Adjust PD to reach the optimal visual effect
5. MICRO USB interface
Provide data connection for spatial locator

! Notes

If having the following symptom when using the VR helmet, please stop using it, including uncomfortable symptoms of head or eye such as convulsion, epilepsy, spasm of eye or muscle, in voluntary movement, dizzy, disorientation, blurred vision, unconsciousness, nausea, swirling, and simulation motion sickness (similar to kinesia)

If you could be easily sick in motion sickness at ordinary times, it's highly probable that you will feel uncomfortable when using the VR helmet; if having serious dizziness or still having the symptom after stopping using the VR helmet, please seek medical advice.

Besides, before the symptom disappears, don't drive, operate machine or do other similar activities. If you use the VR helmet for the first time, we advise you to use it in gradual model, just use for several minutes at the beginning so that your body is adapted to it slowly. Reset for 10-15min every 1h during using. The time for the rest varies from the person to person. If not feeling uncomfortable, please have rest more frequently and increase the time for rest. Please make sure to use the VR helmet correctly and comfortably, do not use it under the state of fatigue, sleep insufficiency, after drinking, taking medicine; do not use it in narrow and chaotic region; please note, when using VR helmet, don't intertwine the data cable with your body. This product is not suitable for children younger than 13 years old. The children should be accompanied to use the product. If the child feels uncomfortable, the guardian needs to observe the child's situation. If the child doesn't feel better, please go to the doctor as soon as possible. The pregnant women, old people, cardiac patients or other patients with mental illness or other serious physical illness should consult the doctor before using the product. For patients with binocular parapsia or eye disease, like amblyopia, strabismus and anisotropia, please consult the doctor before using the product!

Warning: Changes or modifications to this unit not expressly approved by the party responsible for compliance could void the user's authority to operate the equipment.

Note: This equipment has been tested and found to comply with the limits for a Class B digital device, pursuant to Part 15 of the FCC Rules. These limits are designed to provide reasonable protection against harmful interference in a residential installation. This equipment generates, uses and can radiate radio frequency energy and, if not installed and used in accordance with the instructions, may cause harmful interference to radio communications. However, there is no guarantee that interference will not occur in a particular installation. If this equipment does cause harmful interference to radio or television reception, which can be determined by turning the equipment off and on, the user is encouraged to try to correct the interference by one or more of the following measures: Reorient or relocate the receiving antenna. Increase the separation between the equipment and receiver. Connect the equipment into an outlet on a circuit different from that to which the receiver is connected. Consult the dealer or an experienced radio/TV technician for help. This device complies with part 15 of the FCC Rules. Operation is subject to the following two conditions:

- (1) This device may not cause harmful interference, and
- (2) this device must accept any interference received, including interference that may cause undesired operation.



ViuLix WeChat account NO.



VR V9 Headset

User Instructions ®

<http://www.3diniife.com>

Inlife-Handnet Co.,Ltd

Add : Building 15, BAK Science and Technology Building, Keyan Rd., 9, Hi-tech Zone, Nanshan District, Shenzhen

Tel : (+86-755) 8628 4555

Fax : (+86-755) 8628 4699

E-mail : 3ddv@3Dinlife.com

Website: www.3Dinlife.com

Hotline : 400-067-0690