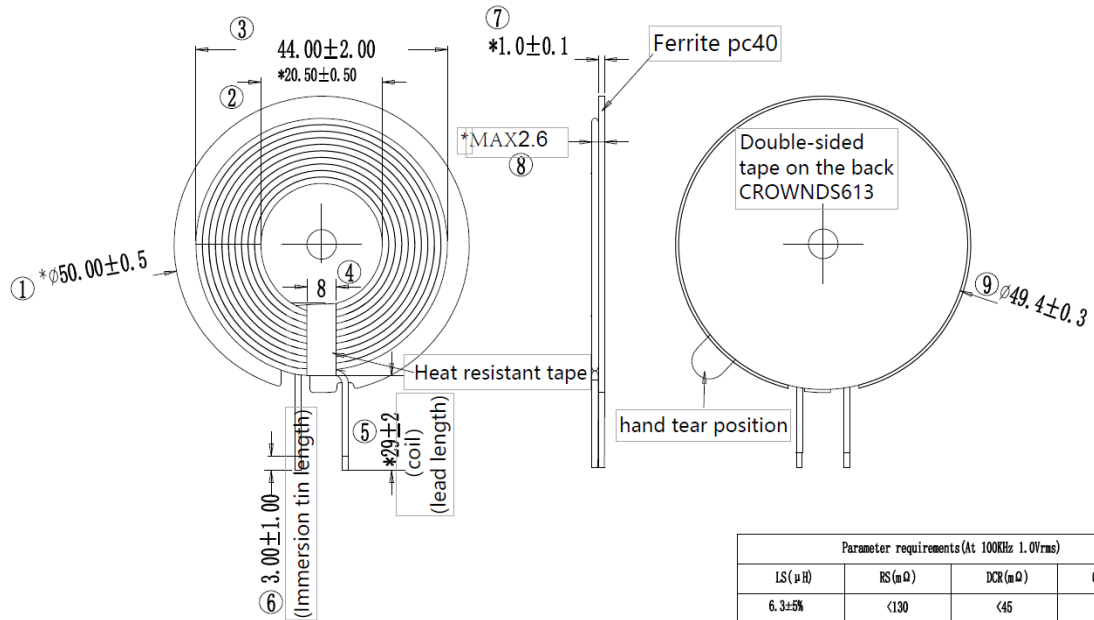


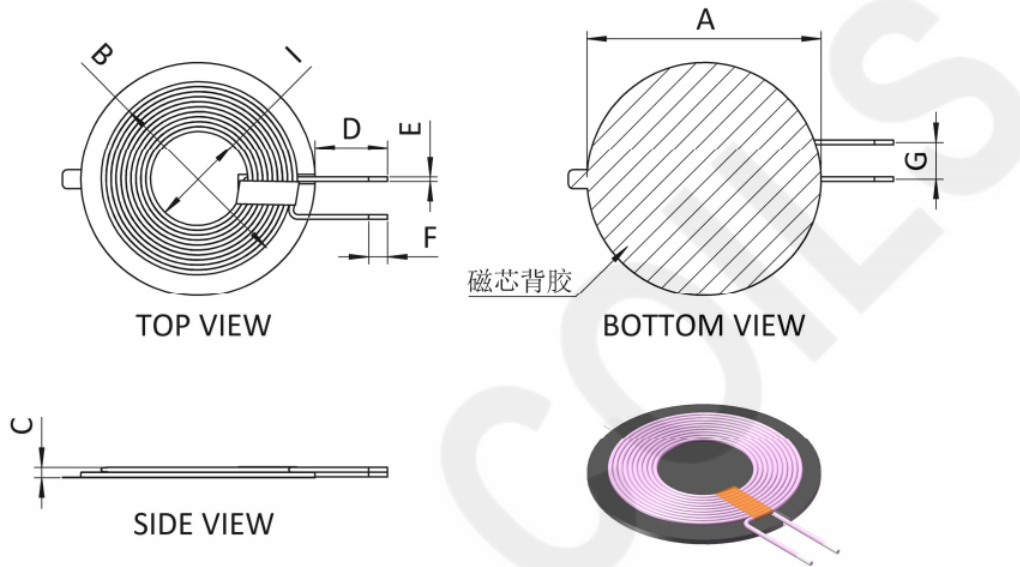
QI -5W



Parameter requirements (At 100KHz 1.0Vrms)			
LS (μH)	RS (Ω)	DCR ($\mu \Omega$)	Q-Value
6.3 \pm 5%	<130	<45	>32

Magsafe

1. Mechanical Dimension(mm) :



ITEM	SPEC(mm)	TYP(mm)	ITEM	SPEC(mm)	TYP(mm)
A	49.5 \pm 0.5	49.8	F	3.0 \pm 1.5	2.87
B	44.0 MAX	43.2	G	9.0REF	
C	3.0MAX	2.65	H		
D	29.0 \pm 1.0	29.51	I	20.5 \pm 1.5	20.6
E	1.3REF	1.25	J		

Note:

Wacht

