

System Check_Head_2450MHz

DUT: D2450V2-736

Communication System: CW; Frequency: 2450 MHz; Duty Cycle: 1:1

Medium: HSL_2450_210516 Medium parameters used: $f = 2450$ MHz; $\sigma = 1.809$ S/m; $\epsilon_r = 38.724$; $\rho = 1000$ kg/m³

Ambient Temperature : 23.6 °C ; Liquid Temperature : 22.6 °C

DASY5 Configuration

- Probe: EX3DV4 - SN7346; ConvF(7.66, 7.66, 7.66) @ 2450 MHz; Calibrated: 2020/5/20
- Sensor-Surface: 1.4mm (Mechanical Surface Detection)
- Electronics: DAE4 Sn853; Calibrated: 2020/7/23
- Phantom: ELI v4.0; Type: QDOVA001BB; Serial: TP:1025
- Measurement SW: DASY52, Version 52.10 (4); SEMCAD X Version 14.6.14 (7483)

Pin=50mW/Area Scan (71x71x1): Interpolated grid: dx=1.200 mm, dy=1.200 mm

Maximum value of SAR (interpolated) = 3.97 W/kg

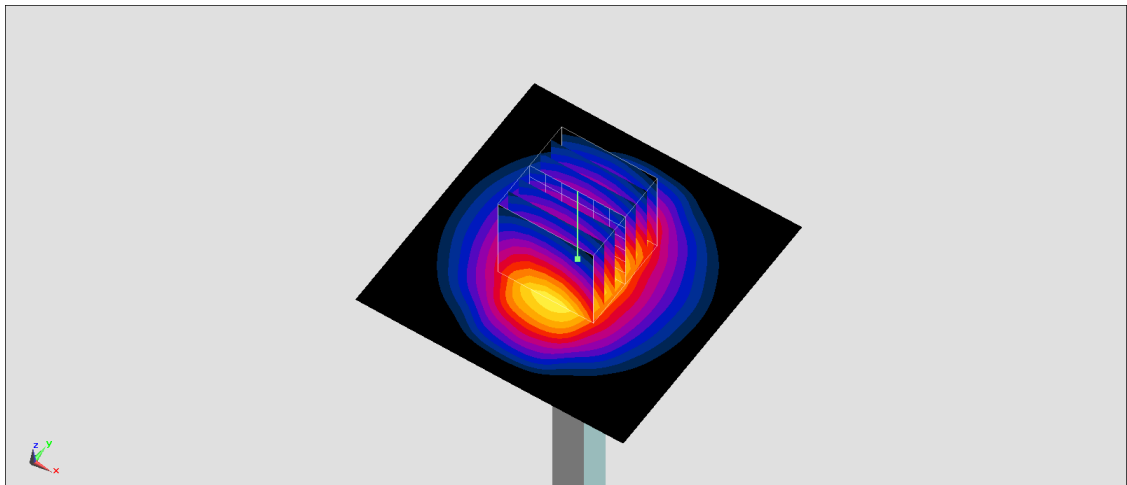
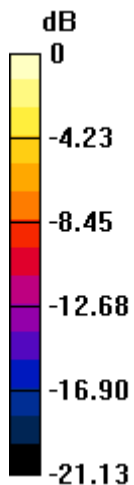
Pin=50mW/Zoom Scan (7x7x7)/Cube 0: Measurement grid: dx=5mm, dy=5mm, dz=5mm

Reference Value = 49.74 V/m; Power Drift = 0.13 dB

Peak SAR (extrapolated) = 5.37 W/kg

SAR(1 g) = 2.53 W/kg; SAR(10 g) = 1.19 W/kg

Maximum value of SAR (measured) = 4.46 W/kg



0 dB = 4.46 W/kg = 6.49 dBW/kg

System Check_Head_5250MHz

DUT: D5GHzV2-1006

Communication System: CW; Frequency: 5250 MHz; Duty Cycle: 1:1

Medium: HSL_5G_210517 Medium parameters used: $f = 5250$ MHz; $\sigma = 4.664$ S/m; $\epsilon_r = 36.188$; $\rho = 1000$ kg/m³

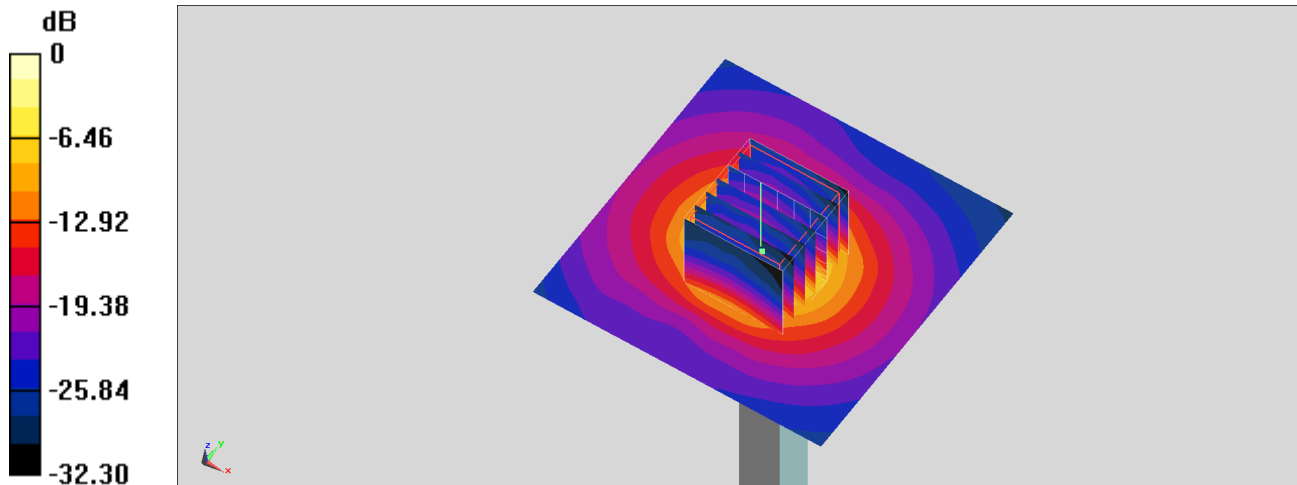
Ambient Temperature : 23.6 °C; Liquid Temperature : 22.6 °C

DASY5 Configuration

- Probe: EX3DV4 - SN7346; ConvF(5.38, 5.38, 5.38) @ 5250 MHz; Calibrated: 2020/5/20
- Sensor-Surface: 1.4mm (Mechanical Surface Detection)
- Electronics: DAE4 Sn853; Calibrated: 2020/7/23
- Phantom: ELI V4.0; Type: QDOVA001BB; Serial: 1041
- Measurement SW: DASY52, Version 52.10 (4); SEMCAD X Version 14.6.14 (7483)

Pin=100mW/Area Scan (71x71x1): Interpolated grid: dx=1.000 mm, dy=1.000 mm
Maximum value of SAR (interpolated) = 19.5 W/kg

Pin=100mW/Zoom Scan (7x7x7)/Cube 0: Measurement grid: dx=4mm, dy=4mm, dz=1.4mm
Reference Value = 70.60 V/m; Power Drift = 0.08 dB
Peak SAR (extrapolated) = 33.8 W/kg
SAR(1 g) = 7.98 W/kg; SAR(10 g) = 2.21 W/kg
Maximum value of SAR (measured) = 19.7 W/kg



0 dB = 19.7 W/kg = 12.94 dBW/kg

System Check_Head_5250MHz

DUT: D5GHzV2-1006

Communication System: CW; Frequency: 5250 MHz; Duty Cycle: 1:1

Medium: HSL_5G_210817 Medium parameters used: $f = 5250$ MHz; $\sigma = 4.695$ S/m; $\epsilon_r = 36.176$; $\rho = 1000$ kg/m³

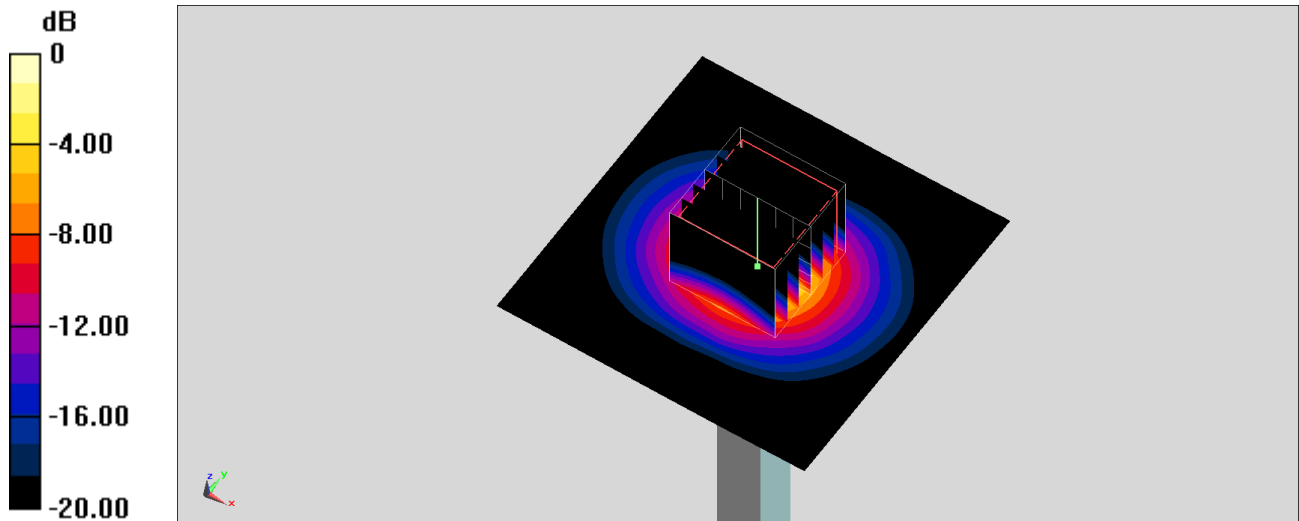
Ambient Temperature : 23.3 °C ; Liquid Temperature : 22.3 °C

DASY5 Configuration

- Probe: EX3DV4 - SN3642; ConvF(4.42, 4.42, 4.42) @ 5250 MHz; Calibrated: 2021/4/26
- Sensor-Surface: 1.4mm (Mechanical Surface Detection)
- Electronics: DAE4 Sn853; Calibrated: 2021/7/14
- Phantom: ELI V4.0; Type: QDOVA001BB; Serial: 1041
- Measurement SW: DASY52, Version 52.10 (4); SEMCAD X Version 14.6.14 (7483)

Pin=100mW/Area Scan (71x71x1): Interpolated grid: dx=1.000 mm, dy=1.000 mm
Maximum value of SAR (interpolated) = 24.2 W/kg

Pin=100mW/Zoom Scan (7x7x7)/Cube 0: Measurement grid: dx=4mm, dy=4mm, dz=1.4mm
Reference Value = 82.32 V/m; Power Drift = -0.07 dB
Peak SAR (extrapolated) = 35.2 W/kg
SAR(1 g) = 8.63 W/kg; SAR(10 g) = 2.44 W/kg
Maximum value of SAR (measured) = 21.9 W/kg



0 dB = 21.9 W/kg = 13.40 dBW/kg

System Check_Head_5600MHz

DUT: D5GHzV2-1006

Communication System: CW; Frequency: 5600 MHz; Duty Cycle: 1:1

Medium: HSL_5G_210517 Medium parameters used: $f = 5600$ MHz; $\sigma = 4.95$ S/m; $\epsilon_r = 35.888$; $\rho = 1000$ kg/m³

Ambient Temperature : 23.6 °C ; Liquid Temperature : 22.6 °C

DASY5 Configuration

- Probe: EX3DV4 - SN7346; ConvF(4.79, 4.79, 4.79) @ 5600 MHz; Calibrated: 2020/5/20
- Sensor-Surface: 1.4mm (Mechanical Surface Detection)
- Electronics: DAE4 Sn853; Calibrated: 2020/7/23
- Phantom: ELI V4.0; Type: QDOVA001BB; Serial: 1041
- Measurement SW: DASY52, Version 52.10 (4); SEMCAD X Version 14.6.14 (7483)

Pin=100mW/Area Scan (71x71x1): Interpolated grid: dx=1.000 mm, dy=1.000 mm

Maximum value of SAR (interpolated) = 20.8 W/kg

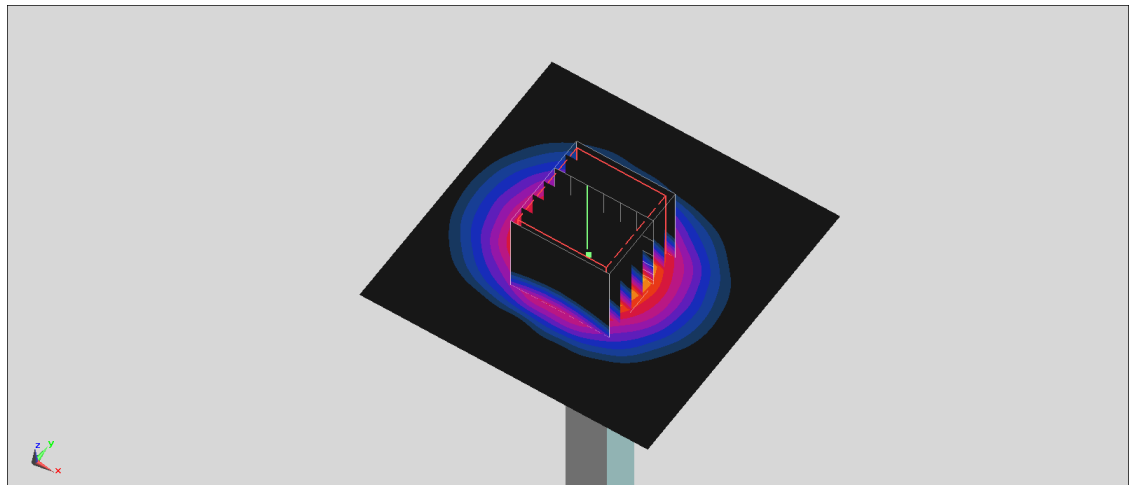
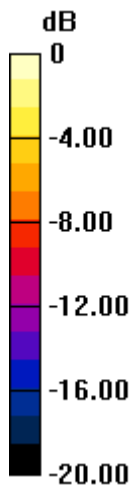
Pin=100mW/Zoom Scan (7x7x7)/Cube 0: Measurement grid: dx=4mm, dy=4mm, dz=1.4mm

Reference Value = 72.20 V/m; Power Drift = 0.05 dB

Peak SAR (extrapolated) = 35.8 W/kg

SAR(1 g) = 8.29 W/kg; SAR(10 g) = 2.3 W/kg

Maximum value of SAR (measured) = 20.9 W/kg



0 dB = 20.9 W/kg = 13.20 dBW/kg

System Check_Head_5750MHz

DUT: D5GHzV2-1006

Communication System: CW; Frequency: 5750 MHz; Duty Cycle: 1:1

Medium: HSL_5G_210517 Medium parameters used: $f = 5750$ MHz; $\sigma = 5.142$ S/m; $\epsilon_r = 35.377$; $\rho = 1000$ kg/m³

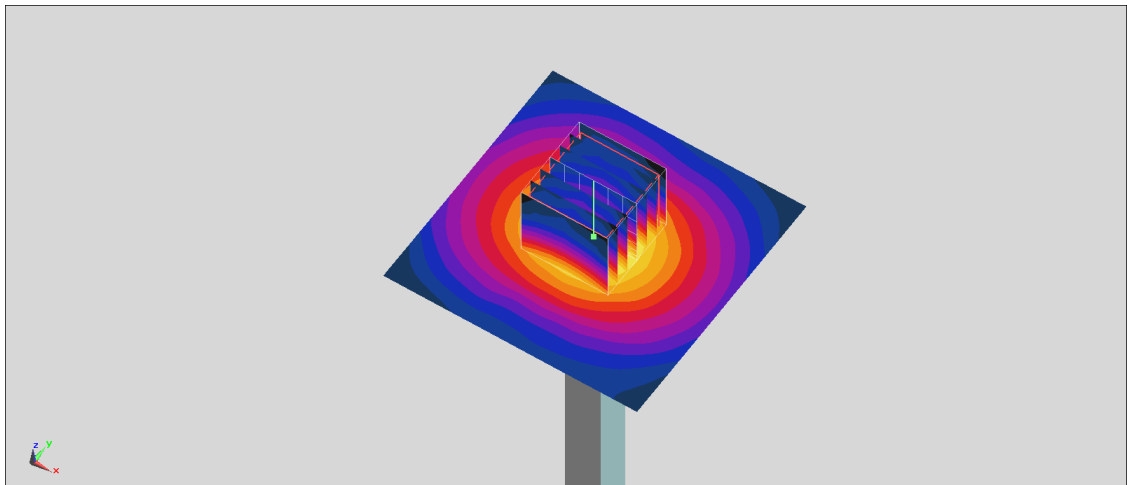
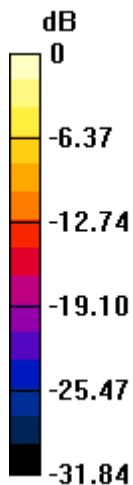
Ambient Temperature : 23.6 °C; Liquid Temperature : 22.6 °C

DASY5 Configuration

- Probe: EX3DV4 - SN7346; ConvF(4.84, 4.84, 4.84) @ 5750 MHz; Calibrated: 2020/5/20
- Sensor-Surface: 1.4mm (Mechanical Surface Detection)
- Electronics: DAE4 Sn853; Calibrated: 2020/7/23
- Phantom: ELI V4.0; Type: QDOVA001BB; Serial: 1041
- Measurement SW: DASY52, Version 52.10 (4); SEMCAD X Version 14.6.14 (7483)

Pin=100mW/Area Scan (71x71x1): Interpolated grid: dx=1.000 mm, dy=1.000 mm
Maximum value of SAR (interpolated) = 19.4 W/kg

Pin=100mW/Zoom Scan (7x7x7)/Cube 0: Measurement grid: dx=4mm, dy=4mm, dz=1.4mm
Reference Value = 70.19 V/m; Power Drift = -0.05 dB
Peak SAR (extrapolated) = 36.6 W/kg
SAR(1 g) = 7.83 W/kg; SAR(10 g) = 2.24 W/kg
Maximum value of SAR (measured) = 20.8 W/kg



0 dB = 20.8 W/kg = 13.18 dBW/kg