

FCC Label:



### 1, Label on Product

(贴在产品上的标签)

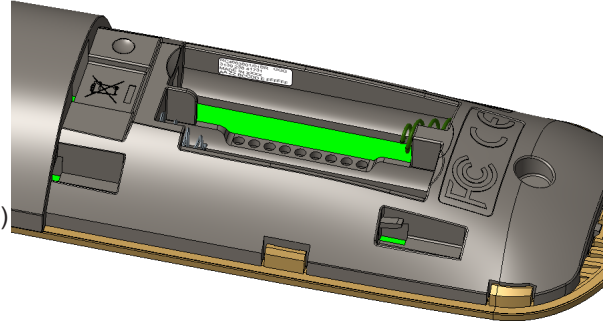
Blank label: (3139 225 5089X)

空白标签

Ribbon used: (3139 225 51771 )

使用碳带

Product version-Refer to general document (Filled by manufactory)  
产品版本-参考通用打印文件 (由工厂按实际填写)



RC4663801/01BR GGG  
3139 238 41731  
MADE IN XXXX  
AA ZZ BCCDD E FFFFFFF

Country of origin (Filled by manufactory)  
原产国 (由工厂按实际填写)

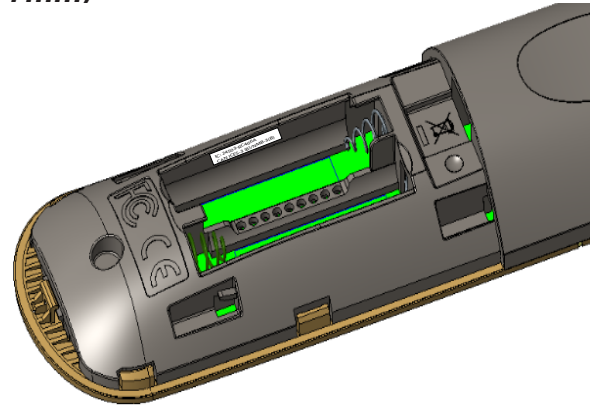
Production code-Refer to general document (Filled by manufactory)  
生产代码-参考通用打印文件 (由工厂按实际填写)

### 2, IC ID Label on Product (6630-000-0002X,30\*7mm)

IC: 24503-RC466A  
CAN ICES-3 (B)/NMB-3(B)



Add IC ID label



### 3, Label on Carton

(贴在纸箱上的标签)

Blank label: (3139 235 54381 80\*50mm)

空白标签

Ribbon used: (3139 225 51771)

使用碳带

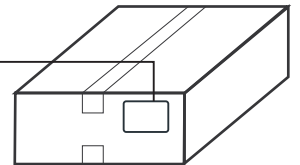
RC4663801/01BR  
3139 238 41731  
MADE IN XXXXX  
90 PCS  RoHS2  
AA : BCCDD  
LOT NO:XXXXXX CTN: XXX/XXX

Country of origin (Filled by manufactory)  
原产国 (由工厂按实际填写)

Production code-Refer to general document (Filled by manufactory)  
生产代码-参考通用打印文件 (由工厂按实际填写)

Carton number (Filled by manufactory)  
箱号 (由工厂按实际填写)

Lot number (Filled by manufactory)  
批次号 (由工厂按实际填写)



**Label Instruction**  
**RC4663801/01BR**

**3139 238 4173**

1	-----
1	22-03-01 wyh
1	22-04-14 wyh

#### 4, Label on Bottom part

(贴在下盖上的标签)

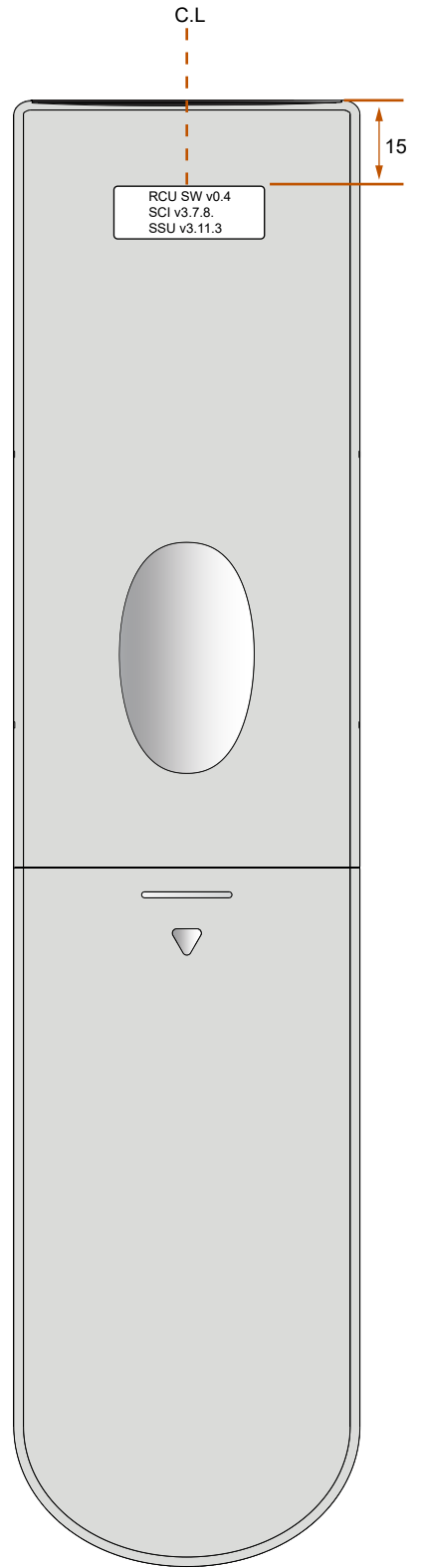
3139 225 50894, 20\*7mm

RCU SW v0.4  
SCI v3.7.8.  
SSU v3.11.3

Arial 5.0



Update V0.2 to V0.4



ALL RIGHTS ARE RESERVED. REPRODUCTION IN WHOLE OR IN PART IS PROHIBITED WITHOUT THE WRITTEN CONSENT OF THE COPYRIGHT OWNER.

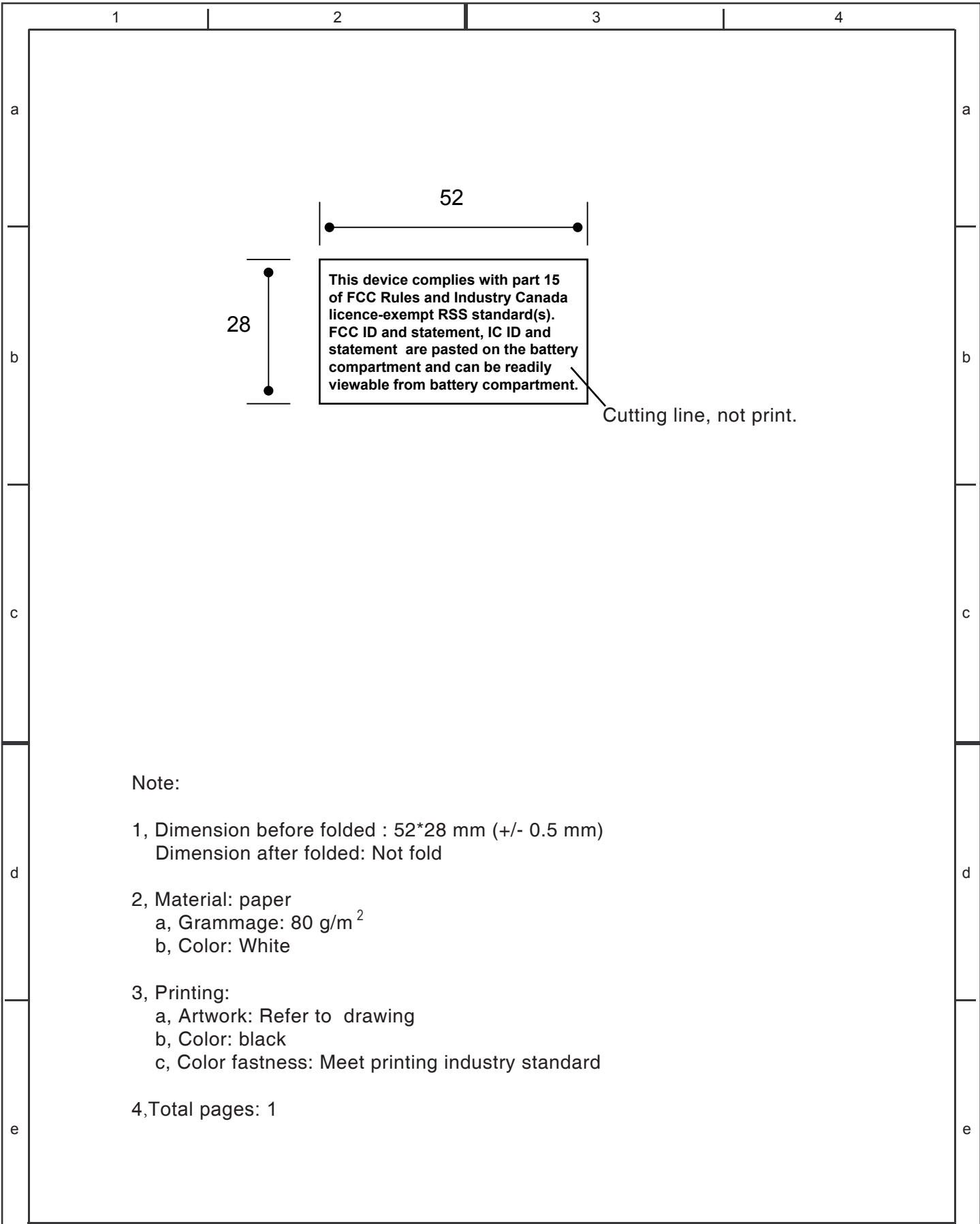


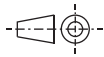
**CONFIDENTIAL**

**Label Instruction  
RC4663801/01BR**

**3139 238 4173**

1	-----
1	22-03-01 wyh
1	22-04-14 wyh



	<p><b>MATERIAL &amp; TREATMENT :</b></p> <p>Refer to drawing</p>	<div style="border: 1px solid black; padding: 2px; font-size: 8px;">                 ENVIRONMENTAL REQUIREMENT: NO RESTRICTED SUBSTANCES ACCORDING TO HCS RSL 2017             </div>		
mm 1:1				
<p><b>FCC ID NOTE</b> <b>RC354</b></p>	<p><b>6630 000 0237</b></p>	1 _____ _____ _____ _____		
NAME : WANG YE HONG	DATE : 2019-08-01	110 - 1 OF 1	A4	© OMNI REMOTE