

Date 2022-04-18

To: SGS North America Inc.
620 Old Peachtree Road
SUITE 100
Suwanee, Georgia
United States

Subject: **FCC Class II Permission Change Request for FCC ID: 2AGOFRC377C**

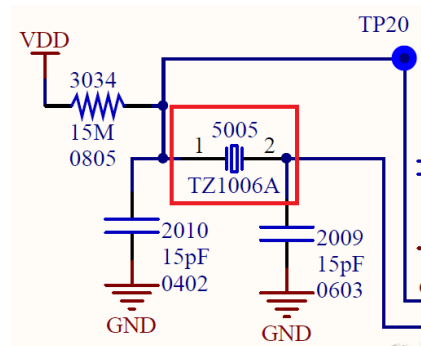
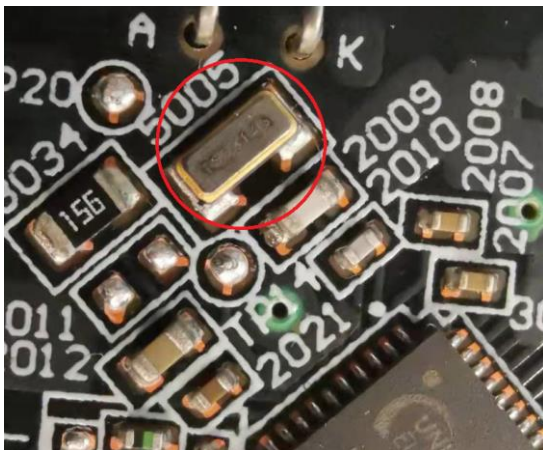
Dear Sir/Madam,

This is to request a Class II Permission Change Request for FCC ID: 2AGOFRC377C, originally granted on 2019/09/02.

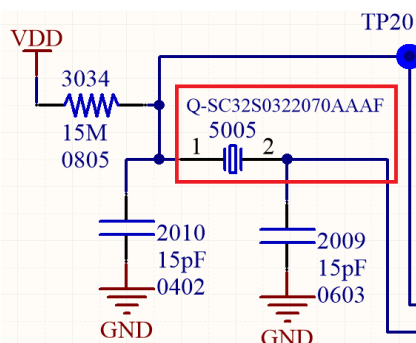
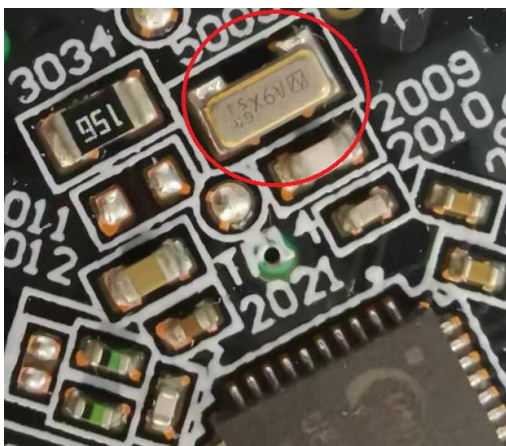
The Major change filed under this application are:

1.Changed the 32.768KHz crystal(5005) from "TZ1006A" to "Q-SC32S0322070AAAF".

Before:

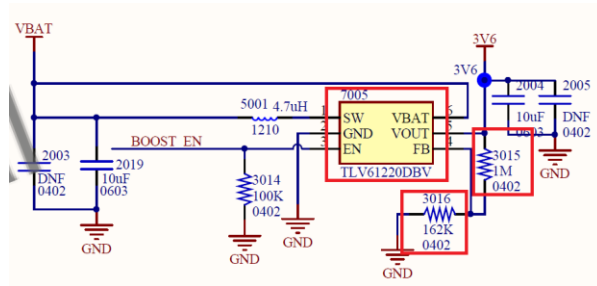
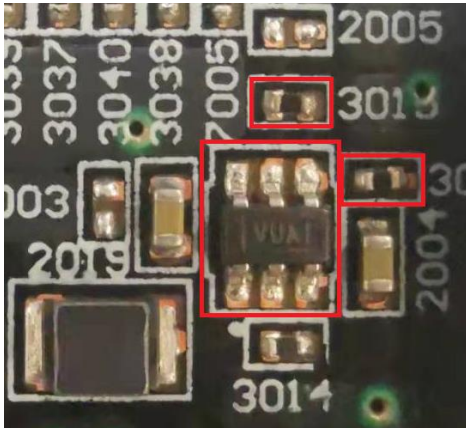


After:

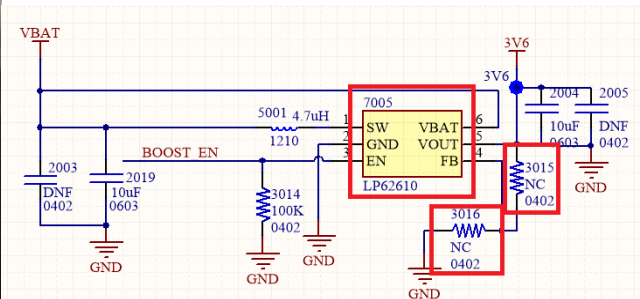
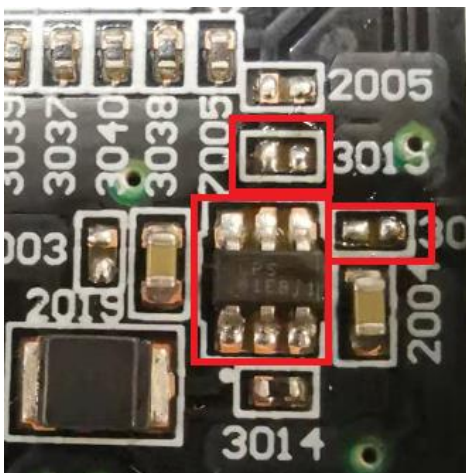


2. Changed the Power IC(7005) from "TLV61220DVB" to LP62610, NC 3015 and 3016

Before:



After:



These changes doesn't affect the RF parameter. Only Field Strength of the Fundamental Signal, Restricted Band Around Fundamental Frequency and Radiated Emissions were retested.

If you have any questions regarding this application, please free to contact me.

Yours Sincerely,

Signature: *Qiao Jianqiang*

Contact name: Jianqiang Qiao

Company Name: Development Quality Engineer