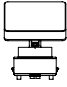




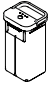




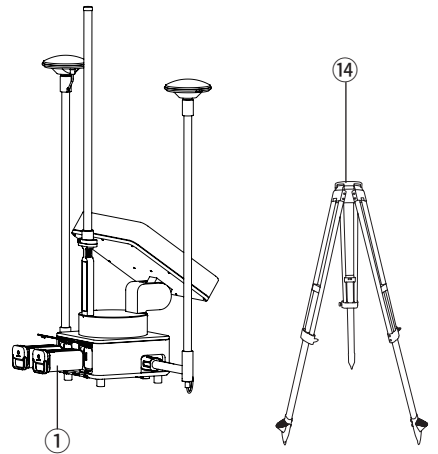
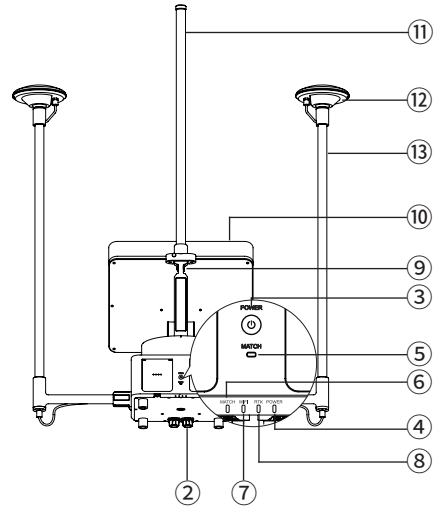
## Disclaimer

Please ensure that all the following guidelines are strictly followed. No responsibility is assumed by us for any consequence resulting from any wrong or improper use of operation, etc. of the product.

## Item List

NO.	Diagram	NAME	QTY
1		Directional Antenna	1 pc
2		Omnidirectional Antenna	1 pc
3		RTK Antenna Holder	2 pcs
4		Tripod	1 pc
5		RTK Antenna	2 pcs
6		Battery	4 pcs
7		Power Adapter+Cable	1 set
8		Manual	1 pc

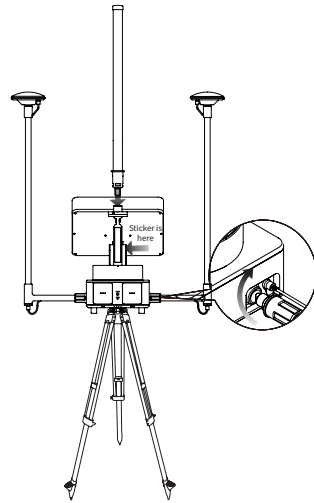
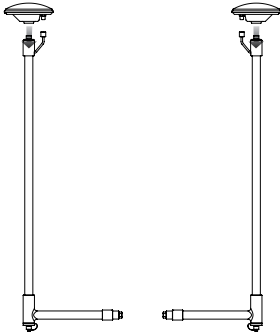
## Overview



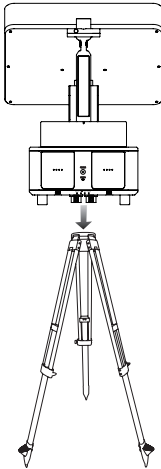
- ① Battery
- ② Charging port
- ③ Power button
- ④ Power indicator
- ⑤ Linking button
- ⑥ Linking indicator
- ⑦ Wifi indicator
- ⑧ RTK indicator
- ⑨ N-type feeder connector
- ⑩ Directional antenna
- ⑪ Omnidirectional antenna
- ⑫ RTK antenna
- ⑬ RTK antenna holder
- ⑭ Tripod

## Assembly

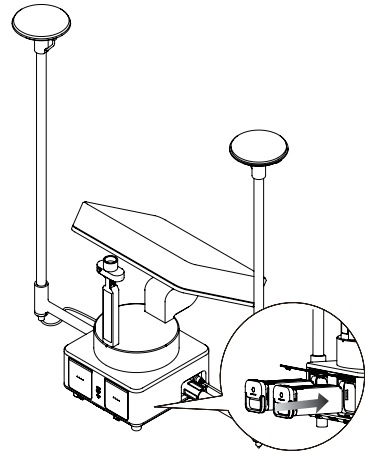
1. Install the 2 RTK antennas to the holders and connect the feeders.



2. Install the main body of the base station to the tripod and tighten the screws on the tripod.



4. Insert the batteries and close the battery compartment.



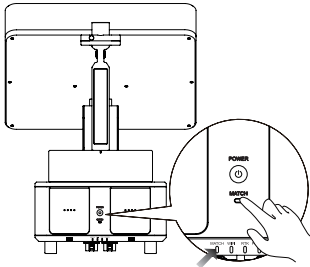
3. Align the red dots on the 2 RTK holders with the white mark on the main body of the base station and insert the holders in place; Tighten the screws at the joint and connect the feeders to the N-type connectors; Install the omnidirectional antenna to the bracket according to the instruction on the sticker.

## Power On/Off

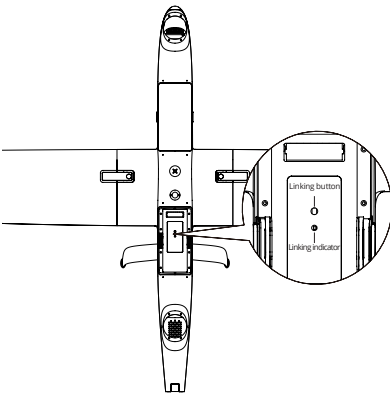
1. Press the power button until you hear a "beep", and the power indicator turns solid green, indicating that it has been turned on.
2. Press the power button until you hear 10 beeps, and the power indicator turns off, indicating that it has been turned off.

## Link the base station to the aircraft

1. Short press the linking button on the base station, and the linking indicator will flash green quickly.



2. Short press the linking button in the battery compartment of the aircraft, and the linking indicator will flash green quickly.



3. Once linking is successful, the linking indicators both on the base station and the aircraft will flash green slowly.

## Link the ground station to the base station

1. Turn on the ground station and run the Autel Voyager App, select "Settings -> Base Station". You will see the base station WiFi/hotspot, then enter the password 12345678. Once linking is successful, the WiFi indicator will be solid green.
2. Back to the "Settings" menu, click "Remote Control", and turn on the "use base station connection" option.

For more details, please refer to the "Autel Tracker User Manual":



## FCC and ISCED Canada Compliance

This device complies with part 15 of the FCC Rules and ISCED Canada licence-exempt RSS standards. Operation is subject to the following two conditions: (1) This device may not cause harmful interference, and (2) this device must accept any interference received, including interference that may cause undesired operation.

Le présent appareil est conforme aux CNR d'ISED Canada applicables aux appareils radio exempts de licence. L'exploitation est autorisée aux deux conditions suivantes : (1) l'appareil ne doit pas produire de brouillage, et (2) l'appareil doit accepter tout brouillage radioélectrique subi, même si le brouillage est susceptible d'en compromettre le fonctionnement.

**Note:** This equipment has been tested and found to comply with the limits for a Class A digital device, pursuant to part 15 of the FCC Rules. These limits are designed to provide reasonable protection against harmful interference when the equipment is operated in a commercial environment. This equipment generates, uses, and can radiate radio frequency energy and, if not installed and used in accordance with the instruction manual, may cause harmful interference to radio communications. Operation of this equipment in a residential area is likely to cause harmful interference in which case the user will be required to correct the interference at his own expense.

### RF Exposure Information

This equipment complies with RF radiation exposure limits set forth for an uncontrolled environment. This equipment should be operated with minimum distance 20cm between the radiator and your body.

### EU/UK Compliance

Autel Robotics Co., Ltd. hereby declares that this wireless device is in compliance with Directive 2014/53/EU and Radio Equipment Regulations 2017.



18th Floor, Block C1, Nanshan iPark, No. 1001 Xueyuan Avenue, Nanshan District, Shenzhen, Guangdong, 518055, China  
22522 29th Dr SE, Ste 101 Bothell, WA 98021 United States

Toll-free: (844) MY AUTEL or (844) 692-8835

[www.autelrobotics.com](http://www.autelrobotics.com)

©2022 Autel Robotics Co., Ltd. All Rights Reserved

---

### **FCC Statement**

1. This device complies with Part 15 of the FCC Rules. Operation is subject to the following two conditions:

(1) This device may not cause harmful interference.

(2) This device must accept any interference received, including interference that may cause undesired operation.

2. Changes or modifications not expressly approved by the party responsible for compliance could void the user's authority to operate the equipment.

#### **NOTE:**

This equipment has been tested and found to comply with the limits for a Class B digital device, pursuant to Part 15 of the FCC Rules. These limits are designed to provide reasonable protection against harmful interference in a residential installation.

This equipment generates uses and can radiate radio frequency energy and, if not installed and used in accordance with the instructions, may cause harmful interference to radio communications. However, there is no guarantee that interference will not occur in a particular installation. If this equipment does cause harmful interference to radio or television reception, which can be determined by turning the equipment off and on, the user is encouraged to try to correct the interference by one or more of the following measures:

Reorient or relocate the receiving antenna.

Increase the separation between the equipment and receiver.

Connect the equipment into an outlet on a circuit different from that to which the receiver is connected.

Consult the dealer or an experienced radio/TV technician for help.

### **IC STATEMENT**

This device complies with Industry Canada licence-exempt RSS standard(s)

Operation is subject to the following two conditions:

(1) This device may not cause interference, and

(2) This device must accept any interference, including interference that may cause undesired operation of the device.

This equipment complies with IC radiation exposure limits set forth for an uncontrolled environment. End user must follow the specific operating instructions for satisfying RF exposure compliance. This transmitter must not be co-located or operating in conjunction with any other antenna or transmitter.

The distance between user and products should be no less than 70cm

Ce dispositif est conforme aux normes autoriser-exemptes du Canada RSS d'industrie

L'exploitation est autorisée aux deux conditions suivantes :

(1) l'appareil ne doit pas produire de brouillage, et

(2) l'utilisateur de l'appareil doit accepter tout brouillage radioélectrique subi, même si le brouillage est susceptible d'en compromettre le fonctionnement. Cet équipement

est conforme avec l'exposition aux radiations IC définies pour un environnement

non contrôlé. L'utilisateur final doit respecter les instructions de fonctionnement spécifiques pour satisfaire la conformité aux expositions RF. Cet émetteur ne doit pas être co-localisées

Cet appareil a été testé pour des opérations portés sur le corps typiques. Pour se conformer

---

aux exigences d'exposition aux radiofréquences, une distance minimale de 70cm doit être maintenue entre le corps de l'utilisateur et le combiné, y compris l'antenne. Les pinces de ceinture, les étuis et autres accessoires similaires utilisés par cet appareil ne doivent pas contenir de composants métalliques. Les accessoires portatifs qui ne répondent pas à ces exigences peuvent ne pas se conformer aux exigences d'exposition RF et doit être évitée. Utilisez uniquement l'antenne fournie ou une antenne approuvée