

# Table of Contents

Chapter One	System Introduction	2
Chapter Two	Function Features	2
Chapter Three	Host Installation	3
Chapter Four	Operation&Setting	4
4.1	Initial Power-on	4
4.2	Arm	4
4.3	Disarm	4
4.4	Stay Arm	4
4.5	Accessories Management	4
4.6	Remote Control	5
4.6.1	Study Remote Control	5
4.6.2	Delete Remote Control	5
4.7	Detector	6
4.7.1	Study Detectors	6
4.7.2	Delete Detectors	6
4.7.3	Call Alarm ON/OFF	6
4.7.4	Zone Attribute	7
4.7.5	Network Event Code	7
4.7.6	NO alarm/NC alarm in Wired Zone	7
4.8	Access Card	7
4.8.1	Study Access Card	7
4.8.2	Delete Access Cards	8
4.9	Wireless Strobe Siren	8
4.9.1	Code Match between Host & Wireless Strobe Siren	8
4.9.2	Alarm Siren	9
4.10	Wireless Alarm Linkage Switch	9
4.10.1	Code Match between Host and Smart Socket	9
4.10.2	Alarm Linkage	10
Chapter Five	Installation and Usage of Detectors	10
5.1	Installation and Use of Door Sensor	10
5.2	Installation and Use of PIR Motion Detector	12
Chapter Six	Troubleshooting	13

## **Chapter One      System Introduction**

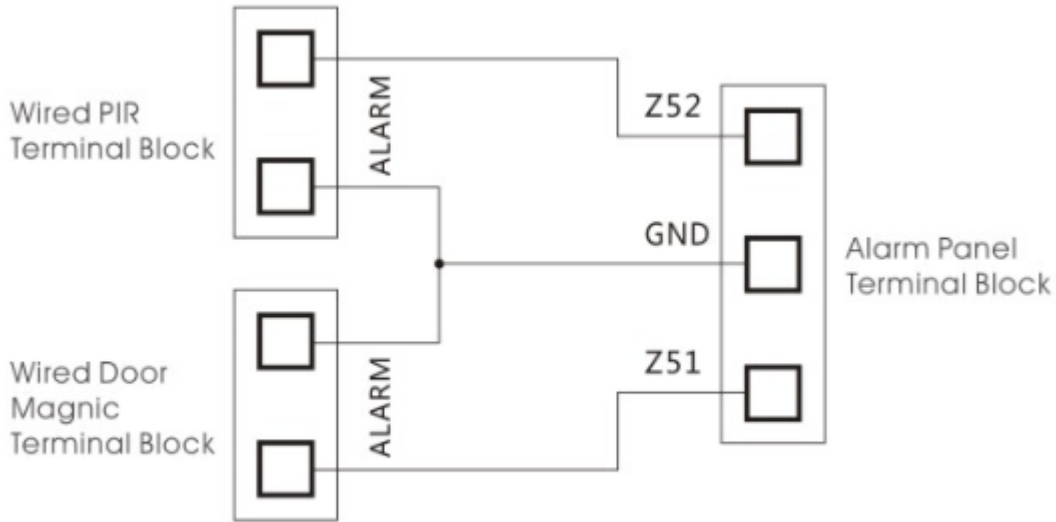
This alarm system with stable and reliable performance and applies 2.4-inch TFT color screen and touch keyboard with built-in powerful CPU master and excellent operation experience. Host connects PIR motion sensors, door contacts, smoke detectors, gas detectors and emergency button accessories etc. After receiving an alarm, host will display the alarm zone and alarm siren on site, It's widely used in houses, factories, schools, shops, convenience stores, financial rooms, villas, communities and other area needed to be protected to ensure the security of the person and property at all aspects.

## **Chapter Two      Function Features**

- TFT color display, humanized menu, operation with voice prompt, easy to use
  - Read RFID (125KHz) card to disarm, can learn 20 cards.
  - There are 99 zones and 8 zone types optional in each zone; ON/OFF siren in each zone is available.
  - 2 wired zones, Open and Closed Alarm mode optional
  - Host can be used as a normal cellphone to call other phones directly
- 
- APP control host set and administration, and supports IOS/Android.
  - 8 groups scheduling Arm/Disarm function, and date can be selected to avoid arm and disarm frequently manually to realize automatic control.
  - One-way alarm linkage wireless relay, and one-way wireless strobe siren
  - 10s automatic message recording with built-in artificial voice, so that user can know the alarm place and zone when receive the alarm call remotely.
  - Arm/Disarm, Monitor, Speaker, siren ON/OFF, relay ON/OFF remotely.
  - Wireless study 1527 series accessories, and as much as 99 detectors and remote controls.
  - Integrate high precision clock chip so that time never lost even power failure.
  - Display the latest 99 arm/disarm, alarm and card read records with unique black box function.
  - Low-voltage indication and anti-tamper
  - Built-in rechargeable high capacity LI battery and supply power automatically when power supply failure
  - Caller ID display, power-off reminder.

### Chapter Three Host Installation

Host should be installed in the central position of the guard area to receive the signals from detectors best. Keep away from large mental objects or appliances with high frequency interference, meanwhile, avoid the reinforced concrete walls and fire doors barriers etc.



Wired Parts Connection Chart

## Chapter Four Operation&Setting

### 4.1 Initial Power-on

According to the installation method put the output of the powered adapter in the power supply hole of the host. Now then, host voice prompts “ Welcome to smart voice alarm”, and switch the back-up battery to the ON state.

### 4.2 Arm

Arm refers to a full range of on-site alarm detection alert when nobody at home; All detectors are in working state, when there is danger ( theft, fire, gas leak etc ) trigger the detectors, the host alarms immediately. After arming operation, it displays and locks “arm” icon.

Remote Control operation: press key [ARM] once.

Keyboard operation: press key [ARM] once.

### 4.3 Disarm

Disarm refers to host panel stops the alarm or make the alarm system in a non-alert state. After disarming, when detectors are triggered, but host doesn't alarm (except the detectors of emergency zones and the emergency button on remote control). After disarming operation, it displays and locks “disarm” icon.

Remote Control operation: press key [Disarm].

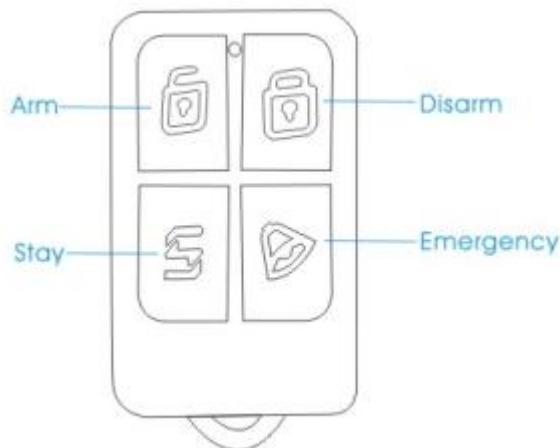
Keyboard operation: press key [Disarm].

### 4.4 Stay Arm

STAY refers to when someone at home, and for safety, the detectors in the perimeter area like doors, windows, balconies are in working state but the detectors indoor don't work in case of the false alarm if triggered by user himself, then the user chooses STAY to let some detectors work and other detectors not work. STAY function needs to be set that is the defense zones of the interior detectors should be changed to be stay zones in order to work properly. After STAY operation, it displays and locks “STAY” icon.

Remote Control operation: press key [STAY].

Keyboard operation: press key [ARM] twice



### 4.5 Accessories Management

As shown in picture 4-2, press key 【UP/DOWN】 to move cursor to Accessories Manage icon, then press key 【OK】 or input number 2 to enter accessories manage page, as shown in picture 4-7.



Picture 4-7



Picture 4-8



Picture 4-9

#### 4.6. Remote Control

##### 4.6.1 Study Remote Control

On accessories manage page, press key【OK】directly or number 1 to enter remote control page. As shown in picture 4-8, there are 99 zones in the page, press key 【UP/DOWN】 to select zone or input number (01-99) by keyboard ( e.g. Study No. 1 remote control, then input 01, study No. 22 remote control, input 22), then press key 【OK】 to enter remote control study page as shown in picture 4-9. At this moment, press any key on remote controller to send a signal to host, host sounds “di” and the number of learned remote add 1 on the screen, which means the remote control has been programmed to the host; If there is wrong voice prompt when pressing remote control, and it means that the remote control has been learned to the host already and couldn’t be programmed repeatedly. To learn more remote controls, press any key on other remote controls. The host can study as most as 99 different remote controls.

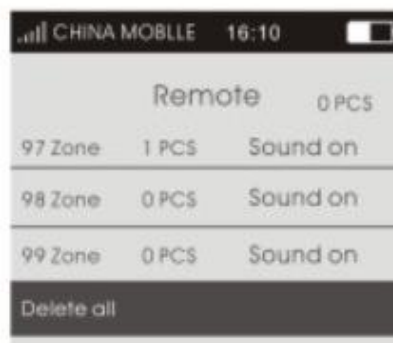
##### 4.6.2 Delete Remote Control

Delete remote control in single zone: after entering remote control page, press key 【UP/DOWN】 to select the zones needed to be deleted, press key 【OK】 , host will pop up a small menu as shown in picture 4-10. If selecting 【Edit/Add】 , it can continue to study remote control or set if there is accompany sound; if selecting 【Delete】 , host will pop up a confirmation menu, select 【Yes】 , press key 【OK】 to confirm, then all the remote controls in the zone be deleted.

Delete all remote controls: As shown in picture 4-11, there is Delete All function at the bottom of remote control page. Press key 【UP/DOWN】 to select this function, then press key 【OK】 , it will pop up the confirmation menu, then press key 【OK】 again to delete all the remote controls in all zones.



Picture 4-10



Picture 4-11



Picture 4-12

##### 4.6.3 Remote Control SND Sound

As shown in picture 4-12, on remote control study page, press key 【DOWN】 to select sound ON/OFF. Press 1 to select Yes, then the sound is ON in this zone; Press 2 to select No, then the sound is OFF in this zone. If the sound is ON, the external siren would beep “di di” when using the remote control in this zone to arm/disarm. The factory default of the sound is ON.

Note: there are two kinds of host sirens: one is host horn siren, called built-in siren; the other are external wired siren and wireless siren, called external siren.

## 4.7 Detector

### 4.7.1 Study Detectors

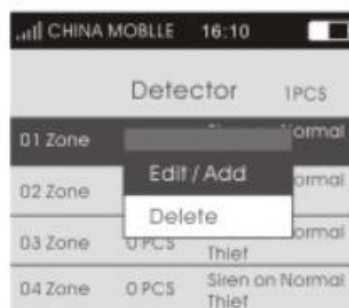
On accessories manage page, as shown in picture 4-7. Press key **【UP/DOWN】** to select Detector, then press key **【OK】** or number 2 directly to enter detector page, as shown in picture 4-13. There are 99 zones in the page, and it displays the number of detectors learned, siren state, event code, and zone attribute in each zone. Press key **【UP/DOWN】** to select zone or input number (01-99) by keyboard ( e.g. Study No. 1 detector, then input 01, study No. 22 detector, input 22), then press key **【OK】** to enter detector study page as shown in picture 4-14. At this moment, trigger detector to send a signal to host, host beeps “di” and the number of learned detector add 1 on the screen, which means the detector has been programmed to the host; If there is wrong voice prompt when triggering detector, and it means that the detector has been learned to the host already and couldn’t be programmed repeatedly. To learn more detectors, continue to trigger other detectors. The host can study as most as 99 different detectors.



Picture 4-13



Picture 4-14

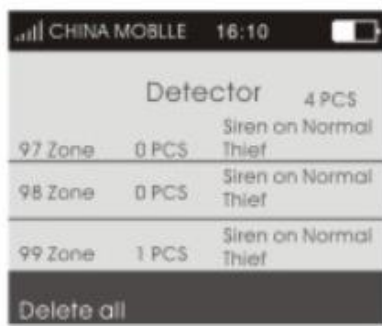


Picture 4-15

### 4.7.2 Delete Detectors

Delete detector in single zone: after entering detector page, press key **【UP/DOWN】** to select the zones needed to be deleted, press key **【OK】**, host will pop up a small menu as shown in picture 4-15. If selecting **【Edit/Add】**, it can continue to study detector or set the zone attribute and event code; if selecting **【Delete】**, host will pop up a confirmation menu, select **【Yes】**, press key **【OK】** to confirm, then all the detectors in the zone be deleted.

Delete all detectors: As shown in picture 4-16, there is Delete All function at the bottom of detector page. Press key **【UP/DOWN】** to select this function, then press key **【OK】**, it will pop up the confirmation menu, then press key **【OK】** again to delete all the detectors in all zones.



Picture 4-16



Picture 4-17



Picture 4-18

### 4.7.3 Call Alarm ON/OFF

On detector learning page, press key **【DOWN】** to select zone call alarm ON/OFF as shown in picture 4-17. Press **【1】** to select Yes, call alarm ON; Press **【2】** to select No, call alarm OFF, then press key **【OK】** to save. If selecting OFF, the

host will not alarm if there is an alert in this zone. The factory default of call alarm is ON.

Note: the siren in this function includes internal and external siren.

#### 4.7.4 Zone Attribute

On detector learning page, press key【DOWN】to move cursor to Attribute as shown in picture 4-18. Press number key to select: 【1】 Normal, 【2】 Stay, 【3】 Intelligent, 【4】 Emergency, 【5】 Close, 【6】 Chime, 【7】 Welcome, 【8】 Help Senior, then press key 【OK】 to save.

#### 4.7.5 Network Event Code

On detector learning page, press key【DOWN】to move the cursor to Event Code as shown in picture 4-19. Press number key to select: 【1】 Medical, 【2】 Fire, 【3】 Robbery, 【4】 Silent Robbery, 【5】 Burglar, 【6】 Perimeter, 【7】 Gas, then press key 【OK】 to save.

#### 4.7.6 NO alarm/NC alarm in Wired Zone

Select wired zones (51-52), and press key 【OK】 to enter detector learning page, press key 【DOWN】 to move the cursor behind 【NO/NC】 as shown in picture 4-20, and press 【1】 to select NC alarm; 【2】 to select NO alarm, then press key 【OK】 to save. The factory default is NO.



Picture 4-19



Picture 4-20



Picture 4-21

### 4.8 Access Card

#### 4.8.1 Study Access Card - 125KHz

On accessories manage page, as shown in picture 4-7. Press key【UP/DOWN】to move the cursor behind【Access Card】, then press key 【OK】 or number 3 directly to enter access card page, as shown in picture 4-21. There are 20 zones in the page, and only one access card can be learned in one single zone. Press key【UP/DOWN】to select zone and the press key 【OK】 to enter access card study page as shown in picture 4-22. At this moment, put the access card on the host card reader location, host will beep “di” if the card be learned successfully, and the “unlearned” displayed on the screen will change to “learned”; If user continues to learn access card in the zone has been learned, host will prompt wrong voice, and it flashes “do not learn” on the screen; If user programs the access card being learned to the zone unlearned, host will also prompt wrong voice, and it flashes “re-code” on screen, which means the access card can’t be programmed repeatedly. The host could learn as much as 20 different access cards.



Picture 4-22



Picture 4-23



Picture 4-24

### 4.8.2 Delete Access Cards

Delete access card in single zone: after entering access card page, press key【UP/DOWN】to select the zones needed to be deleted, press key【OK】, host will pop up a small menu as shown in picture 4-23. If selecting【Edit/Add】, it can change the set of【Read Card to Disarm】; if selecting【Delete】, host will pop up a confirmation menu, select【Yes】, press key【OK】to confirm, then the access card in this zone be deleted.

Delete all access cards: As shown in picture 4-24, there is Delete All function at the bottom of access card page. Press key【UP/DOWN】to select this function, then press key【OK】, it will pop up the confirmation menu, then press key【OK】again to delete all the access cards in all zones.

### 4.8.3 Read Card to Disarm

On access card learning page, press key【DOWN】to move the cursor behind【Read Card to Disarm】, then press menu key to switch ON or OFF, press key【OK】to save. If selecting ON, the access card can disarm the host. The factory default is OFF.

## 4.9 Wireless Strobe Siren

On accessories manage page as shown in picture 4-7. Press key【UP/DOWN】to move cursor behind【Wireless Strobe Siren】, then press key【OK】or input number 4 directly to enter wireless strobe siren page, as shown in picture 4-25.



Picture 4-25



Picture 4-26

### 4.9.1 Code Match between Host & Wireless Strobe Siren

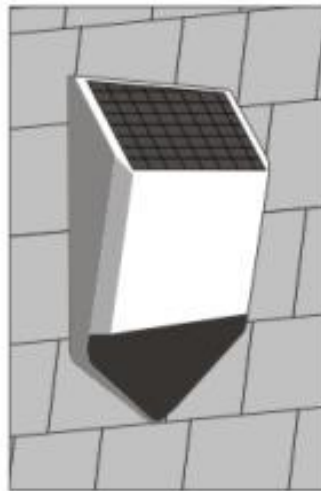
**Code Match Method:** In strobe siren standby mode, long press key SET until the alarm indicator lit constantly to enter learning state; Then on wireless strobe siren page, press menu key to switch【Wireless Strobe Siren】ON or OFF, host will send signal as shown in picture 4-26; wireless strobe siren will beep twice and indicator flashes twice after receiving the signal, which means the code match successfully, then press the SET key of strobe siren to exit the learning state.

**Check the Success of Code Match:** after wireless strobe siren exit learning state, press menu key to switch【Wireless Strobe Siren】ON or OFF, if it's OFF, strobe siren will beep “di di”; if it's ON, siren will alarm siren, which means the host match code successfully with wireless strobe siren.





Siren J009



Solar Strobe Siren J1

Solar Strobe Siren J1

#### 4.9.2 Alarm Siren

On wireless strobe siren page, press key **【DOWN】** to move the cursor behind **【Alarm Siren】**, press menu key to switch ON or OFF, then press key **【OK】** to save. The factory default is ON.

When **【Alarm Siren】** is ON, if host alarms, the wireless strobe siren learned will alarm as well. After disarm or host alarm ends, strobe siren will stop alarm.

When **【Alarm Siren】** is OFF, if host alarms, the wireless strobe siren learned will not alarm siren.

#### 4.10 Wireless Alarm Linkage Switch

On accessories manage page, as shown in picture 4-27. Press key **【UP/DOWN】** to move the cursor behind **【Wireless Alarm Linkage Switch】**, as shown in picture 4-27, then press key **【OK】** or number 5 directly to enter wireless alarm linkage switch page, as shown in picture 4-28.



Picture 4-27



Picture 4-28



Picture 4-29

##### 4.10.1 Code Match between Host and Smart Socket

**Code Match Method:** In smart socket standby mode, long press key SET for 5s until the socket indicator light turns out to enter learning state; Then on wireless alarm linkage switch page, press menu key to switch **【Wireless Alarm Linkage Switch】** ON or OFF, host will send signal as shown in picture 4-29; smart socket indicator light flashes twicel, which means the code match successfully, then press the SET key of smart socket to exit the learning state.

**Check the Success of Code Match:** after smart socket exit learning state, press menu key to switch

【Wireless Alarm Linkage Switch】 ON or OFF, if it's OFF, smart socket lit RED; if it's ON, socket lit BLUE, which means the host match code successfully with smart socket.



#### 4.10.2 Alarm Linkage

As shown in picture, on wireless alarm linkage switch page, press key 【DOWN】 to move the cursor behind 【Alarm Linkage】 , press menu key to switch ON or OFF, then press key 【OK】 to save. The factory default is ON.

When 【Alarm Linkage】 is ON, if host alarms, the smart socket learned will close automatically; After disarming or host alarm ends, it turns off automatically.

When 【Alarm Linkage】 is OFF, if host alarms, the smart socket learned will not close automatically.

## Chapter Five Installation and Usage of Detectors

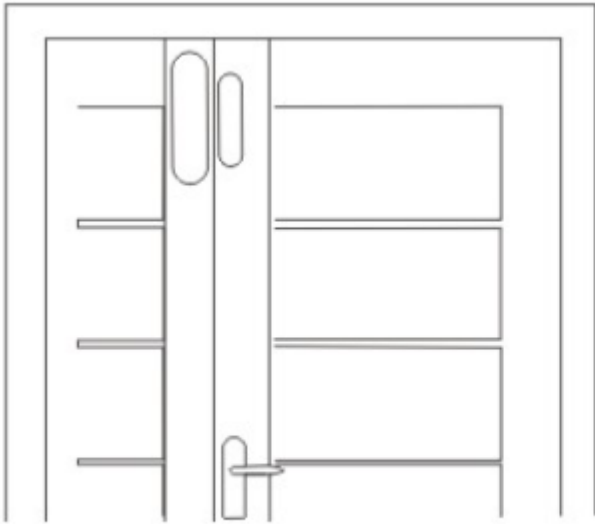
### 5.1 Installation and Use of Door Sensor

Door sensor is used in magnetic induction of close and open state, and is consisted of transmitter and magnetic. It can be installed on doors, windows or any object that can be closed and opened. When transmitters is separated with magnetic, door sensor will send alarm signal to alarm panel, and host begins alarm siren.

The door contact should be installed on the movable door. Firstly, clean the corresponding position, and take out wireless door contact , then put on the double faced adhesive. The installation should note the items below:

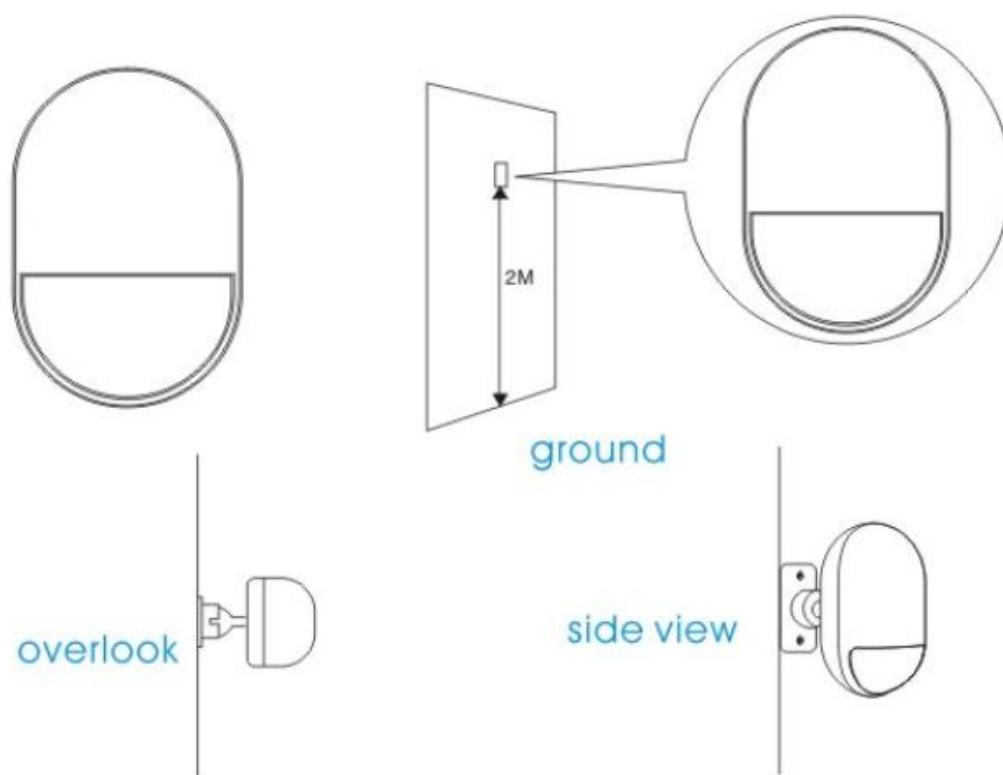
- 1.The door sensor part A (transmitter) and part B (magnet) should be installed separately, that is, A on fixed door frame and B on movable door. ( the side with lights of transmitter should correspond with the magnet )
2. A and B should in the same vertical line and the distance between A and B should not greater than 1 cm.
3. After the installation, the indicator light flashes for 1s as the door open, that means the door sensor is installed successfully.
- 4.The indicator light lit for 1 second, means alarm. The indicator in constant light is a suggestion of power lack.
- 5.A, B can also be reinforced by screws, (A: remove the bottom cover, then screw in the bottom, buckle the cover to the

bottom; B can be directly fixed on the screw back.)



P30

## 5.2 Installation and Use of PIR Motion Detector



Before use, make sure the power switch of PIR motion sensors is ON. Installation height is about 2.2 meters above ground and it should be installed in the corner of the room to get the best detection range and should form a certain angle with the indoor walking line at the same time ( the 90 degree angle with people walking direction is best for detection)

Installation:

Remove the supplied mounting bracket, press the bracket to the slot in the detector bottom. Find the base and reinforce it with two screws in the wall. Press the PIR with bracket into the center hole of base. and then adjust the best angle of detecting. (This method is suitable for project installation)

Attention:

1. The detector should not face the outside of window directly.
2. Within coverage of detection, there should be no any big objects for obstruction.
3. There should be no two infrared detectors in the same space as they will possibly intervene with each other.
4. Avoid facing window, cooling or warming machines, stoves, or other appliances that cause the temperature changing sharply and thus cause false alarm.
5. Infrared detector are indoor use and couldn't be used outdoor.

## Chapter Six Troubleshooting

Troubleshooting	Reasons	Methods
3, Can't remote operate	1、 input wrong password	1、 Correct password or change to a new password or restore to factory default
4, no ISD recorded voice prompt when alerting	ISD Voice prompt un-recorded	Record it again according to user manual
5, remote controller not work	1. coding unmatched with the host 2. insufficient power 3. battery pieces poor contact or corroded 4. unmatched with host	1. re-coding 2. change battery of the same type 3. eliminating the dirt on the pieces caused by corrosion 4. contact the local dealer to change the matched remote controller
6, PIR sensor not work	1. coding unmatched with the host 2. insufficient power 3. battery pieces poor contact or corroded 4. unmatched with host	1. re-coding 2. change battery of the same type 3. eliminating the dirt on the pieces caused by corrosion 4. contact the local dealer to change the matched remote controller
7, siren no sound	1、 internal siren is OFF	1、 Open internal siren
8, The transmitter distance for host is shortened	1.a nearby emitter is sending code 2. host receiver stop work 3. standby battery of the host insufficient	1.find the interfering source and eliminate it 2.post back to the factory for amendment 3.check host power whether plugged well
9, Host no Voice prompt	1、 voice prompt function is OFF	1、 open voice prompt function

### FCC Warning:

This equipment has been tested and found to comply with the limits for a Class B digital device, pursuant to part 15 of the FCC Rules. These limits are designed to provide reasonable protection against harmful interference in a residential installation. This equipment generates uses and can radiate radio frequency energy and, if not installed and used in accordance with the instructions, may cause harmful interference to radio communications. However, there is no guarantee that interference will not occur in a particular installation. If this equipment does cause harmful interference to radio or television reception, which can be determined by turning the equipment off and on, the user is encouraged to try to correct the interference by one or more of the following measures:

- Reorient or relocate the receiving antenna.
- Increase the separation between the equipment and receiver.
- Connect the equipment into an outlet on a circuit different from that to which the receiver is connected.
- Consult the dealer or an experienced radio/TV technician for help.

This device complies with part 15 of the FCC Rules. Operation is subject to the following two conditions:

- (1) This device may not cause harmful interference, and (2) this device must accept any interference received, including interference that may cause undesired operation.