



EMC TEST REPORT

Applicant Sengled Co., Ltd.
FCC ID 2AGN8-E1GG8E
Product Sengled Smart LED Multicolor Light Strip
Brand sengled
Model E1G-G8E
Marketing Sengled Smart LED
Report No. R1903A0118-E1
Issue Date March 29, 2019

TA Technology (Shanghai) Co., Ltd. tested the above equipment in accordance with the requirements in **FCC Code CFR47 Part15B (2018)/ ANSI C63.4 (2014)**. The test results show that the equipment tested is capable of demonstrating compliance with the requirements as documented in this report.

Wei Liu

Guangchang Fan

Performed by: Wei Liu/ Manager

Approved by: Guangchang Fan/ Director

TA Technology (Shanghai) Co., Ltd.

No.145, Jintang Rd, Tangzhen Industry Park, Pudong Shanghai, China

TEL: +86-021-50791141/2/3

FAX: +86-021-50791141/2/3-8000



Table of Contents

1	Test Laboratory.....	4
1.1	Notes of the Test Report.....	4
1.2	Test facility.....	4
1.3	Testing Location Adapter.....	5
2	General Description of Equipment under Test.....	6
2.1	Client Information.....	6
2.2	General information.....	6
2.3	Applied Standards.....	7
2.4	Test Mode.....	8
3	Test Case Results.....	9
3.1	Radiated Emission.....	9
3.2	Conducted Emission.....	14
4	Main Test Instrument.....	17
	ANNEX A: The EUT Appearance and Test Configuration.....	18
	A.1 EUT Appearance.....	18
	A.2 Test Setup.....	21



Summary of measurement results

Number	Test Case	Clause in FCC Rules	Conclusion
1	Radiated Emission	FCC Part15.109, ANSI C63.4-2014	PASS
2	Conducted Emission	FCC Part15.107, ANSI C63.4-2014	PASS
Test Date: March 21, 2019 ~ March 27, 2019			

1 Test Laboratory

1.1 Notes of the Test Report

This report shall not be reproduced in full or partial, without the written approval of **TA technology (shanghai) co., Ltd.** The results documented in this report apply only to the tested sample, under the conditions and modes of operation as described herein .Measurement Uncertainties were not taken into account and are published for informational purposes only. This report is written to support regulatory compliance of the applicable standards stated above.

1.2 Test facility

CNAS (accreditation number: L2264)

TA Technology (Shanghai) Co., Ltd. has obtained the accreditation of China National Accreditation Service for Conformity Assessment (CNAS).

FCC (Designation number: CN1179, Test Firm Registration Number: 446626)

TA Technology (Shanghai) Co., Ltd. has been listed on the US Federal Communications Commission list of test facilities recognized to perform electromagnetic emissions measurements.

IC (recognition number is 8510A)

TA Technology (Shanghai) Co., Ltd. has been listed by industry Canada to perform electromagnetic emission measurement.

VCCI (recognition number is C-4595, T-2154, R-4113, G-10766)

TA Technology (Shanghai) Co., Ltd. has been listed by industry Japan to perform electromagnetic emission measurement.

A2LA (Certificate Number: 3857.01)

TA Technology (Shanghai) Co., Ltd. has been listed by American Association for Laboratory Accreditation to perform electromagnetic emission measurement.



1.3 Testing Location

Company: TA Technology (Shanghai) Co., Ltd.
Address: No.145, Jintang Rd, Tangzhen Industry Park, Pudong Shanghai, China
City: Shanghai
Post code: 201201
Country: P. R. China
Contact: Xu Kai
Telephone: +86-021-50791141/2/3
Fax: +86-021-50791141/2/3-8000
Website: <http://www.ta-shanghai.com>
E-mail: xukai@ta-shanghai.com

2 General Description of Equipment under Test

2.1 Client Information

Applicant	Sengled Co., Ltd
Applicant address	Room 201/15, Building 1, No.498, Guoshoujing Road, Pilot Free Trade Zone, Shanghai, P.R. China
Manufacturer	Sengled Co., Ltd
Manufacturer address	Room 201/15, Building 1, No.498, Guoshoujing Road, Pilot Free Trade Zone, Shanghai, P.R. China

2.2 General information

EUT Description			
Device Type:	Fixed Device		
Model Number:	E1G-G8E		
IMEI:	/		
HW Version:	0x01		
SW Version:	V10		
Antenna Type:	PCB Antenna		
Frequency:	Band	Tx (MHz)	Rx (MHz)
	Zigbee	2405 ~ 2480	2405 ~ 2480
Modulation:	Zigbee: O-QPSK		
EUT Accessory			
Adapter	Manufacturer: Shenzhen Aquilstar Technology Co.,Ltd Model: ASLP67W-240090		
Note: The information of the EUT is declared by the manufacturer.			



2.3 Applied Standards

According to the specifications of the manufacturer, it must comply with the requirements of the following standards:

Test standards

FCC Code CFR47 Part15B (2018)

ANSI C63.4 (2014)



2.4 Test Mode

Test Mode	
Mode 1	Adapter + EUT +Idle

3 Test Case Results

3.1 Radiated Emission

Ambient condition

Temperature	Relative humidity	Pressure
24°C~26°C	45%~50%	102.5kPa

Methods of Measurement

The EUT is placed on a non-metallic table 0.8m above the horizontal metal reference ground plane. The distance between EUT and receive antenna should be 3 meters. During the test, the EUT was operating in its typical mode. The test method is according to ANSI C63.4-2014. Sweep the whole frequency band through the range from 30MHz to the 5th harmonic of the carrier. During the test, the height of receive antenna shall be moved from 1 to 4 meters, and the antenna shall be performed under horizontal and vertical polarization. The turn table shall be rotated from 0 to 360 degrees for detecting the maximum of radiated signal level.

The data of cable loss and antenna factor has been calibrated in full testing frequency range before the testing. During the test, the EUT is worked at maximum output power.

Set the spectrum analyzer in the following:

Below 1GHz:

RBW=100 kHz / VBW=300 kHz / Sweep=AUTO

Above 1GHz:

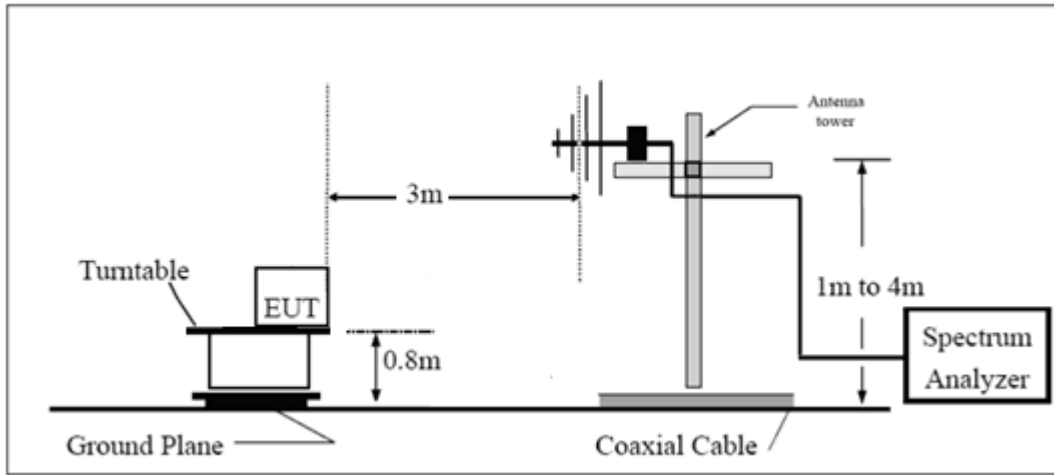
(a) PEAK: RBW=1MHz / VBW=3MHz/ Sweep=AUTO

(b) AVERAGE: RBW=1MHz / VBW=1Hz / Sweep=AUTO

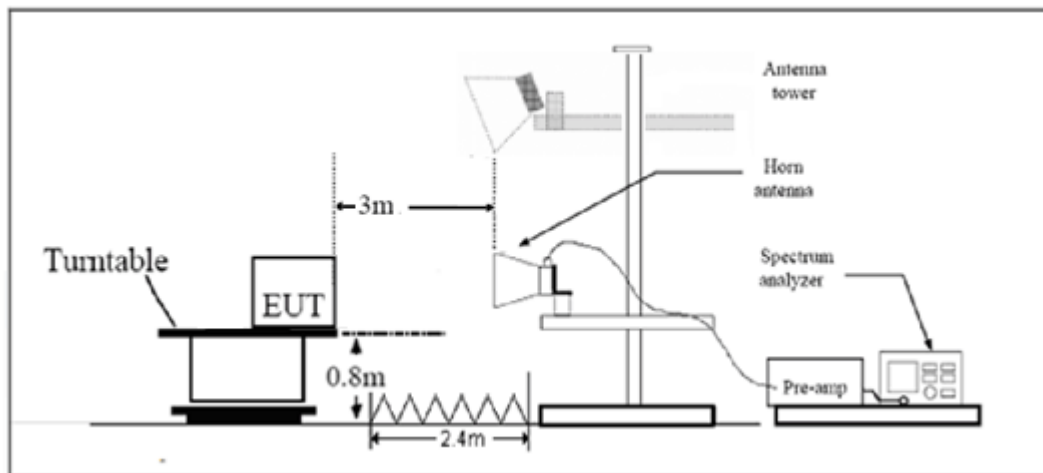
The radiated emission was measured in the following position: EUT stand-up position (Z axis), lie-down position (X, Y axis). The worst emission was found in lie-down position (X axis) and the worst case was recorded.

Test Setup

Below 1GHz



Above 1GHz



Note: Area side:2.4mX3.6m

Antenna Tower meets ANSI C63.4 requirements for measurements above 1 GHz by keeping the antenna aimed at the EUT during the antenna's ascent/ descent along the antenna mast.

Limits

Frequency (MHz)	Field Strength (dB μ V/m)	Detector
30 -88	40.0	Quasi-peak
88-216	43.5	Quasi-peak
216 – 960	46.0	Quasi-peak
960-1000	54.0	Quasi-peak
1000-5 th harmonic of the highest frequency or 40GHz, which is lower	54 74	Average Peak

Measurement Uncertainty

The assessed measurement uncertainty to ensure 95% confidence level for the normal distribution is with the coverage factor $k = 1.96$.

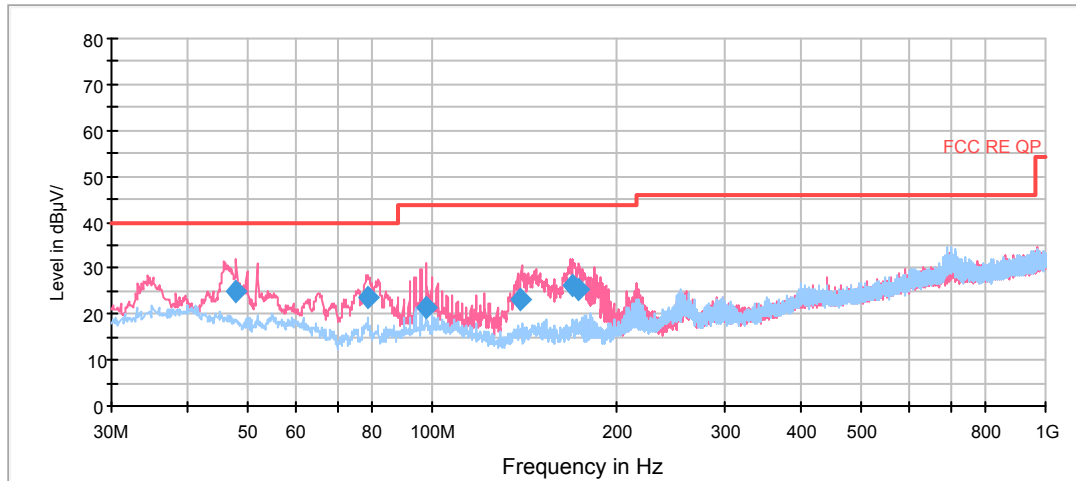
Frequency	Uncertainty
30MHz~200MHz	4.02 dB
200MHz~1000MHz	3.28 dB
1GHz~18GHz	3.70 dB
18GHz~26.5GHz	5.78 dB
26.5GHz~40GHz	5.82 dB

Test Results

Sweep the whole frequency band through the range from 30MHz to the 5th harmonic of the carrier, the Emissions in the frequency band 18GHz- 26.5GHz is more than 20dB below the limit are not reported.

The following graphs display the maximum values of horizontal and vertical by software. For above 1GHz, Blue trace uses the peak detection, Green trace uses the average detection.

FCC RE 0.03-1GHz QP Class B

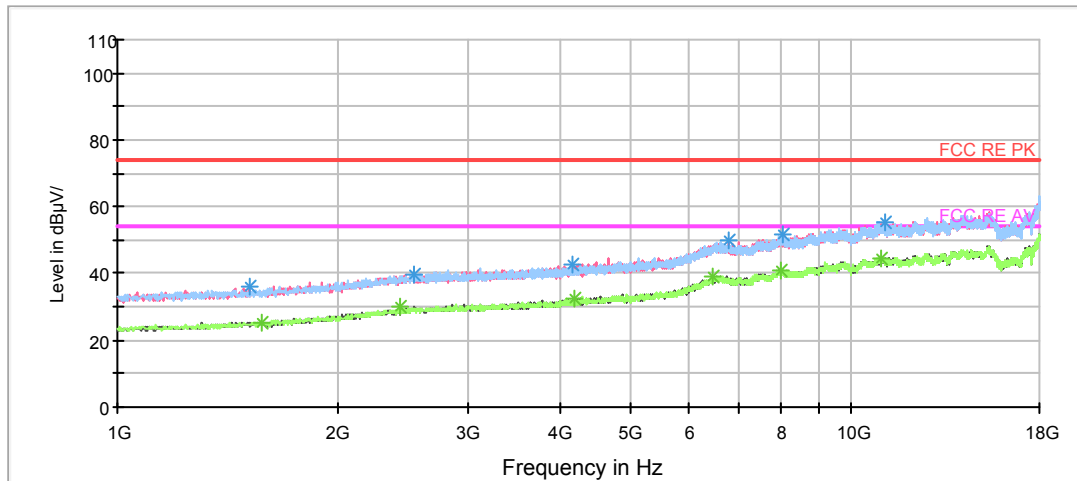


Radiated Emission from 30MHz to 1GHz

Frequency (MHz)	Quasi-Peak (dBuV/m)	Height (cm)	Polarization	Azimuth (deg)	Correct Factor (dB)	Margin (dB)	Limit (dBuV/m)
47.863750	24.7	100.0	V	0.0	14.4	15.3	40.0
78.493750	23.7	186.0	V	286.0	10.4	16.3	40.0
97.660000	21.5	100.0	V	0.0	13.1	22.0	43.5
139.732500	23.3	100.0	V	252.0	9.6	20.2	43.5
169.961250	26.3	100.0	V	45.0	10.6	17.2	43.5
173.202500	25.2	100.0	V	42.0	10.7	18.3	43.5

- Remark: 1. Correction Factor = Antenna factor+ Insertion loss(cable loss+amplifier gain)**
2. Margin = Limit – Quasi-Peak

RE 1G-18GHz PK+AV Class B



Radiated Emission from 1GHz to 18GHz

Frequency (MHz)	Peak (dBuV/m)	Height (cm)	Polarization	Azimuth (deg)	Correct Factor (dB)	Margin (dB)	Limit (dBuV/m)
1510.000000	36.0	200.0	V	118.0	-9.5	38.0	74
2527.875000	39.7	200.0	H	49.0	-4.2	34.3	74
4153.500000	42.7	100.0	V	271.0	-1.6	31.3	74
6809.750000	49.6	100.0	V	101.0	5.4	24.4	74
8042.250000	51.5	100.0	H	50.0	7.7	22.5	74
11068.250000	55.6	200.0	H	341.0	13.1	18.4	74

Frequency (MHz)	Average (dBuV/m)	Height (cm)	Polarization	Azimuth (deg)	Correct Factor (dB)	Margin (dB)	Limit (dBuV/m)
1571.625000	25.5	200.0	V	27.0	-9.1	28.5	54
2419.500000	30.1	100.0	H	0.0	-4.5	23.9	54
4202.375000	32.5	100.0	H	50.0	-1.5	21.5	54
6474.000000	39.4	100.0	V	271.0	5.2	14.6	54
8001.875000	41.1	200.0	H	349.0	7.6	12.9	54
10940.750000	44.6	100.0	V	271.0	13.1	9.4	54

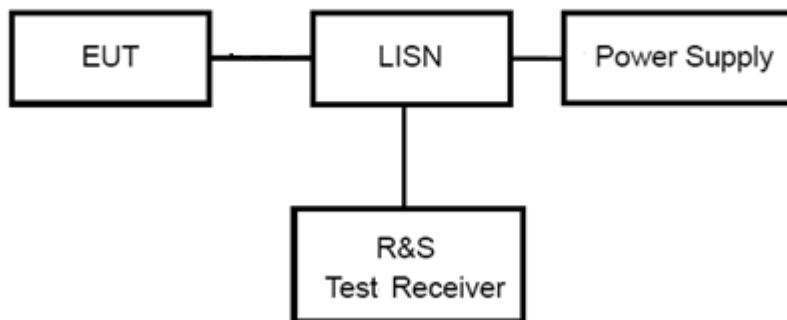
3.2 Conducted Emission

Ambient condition

Temperature	Relative humidity	Pressure
24°C ~26°C	50%~55%	102.5kPa

Methods of Measurement

The EUT is placed on a non-metallic table of 80cm height above the horizontal metal reference ground plane. During the test, the EUT was operating in its typical mode. The test method is according to ANSI C63.4-2014. Connect the AC power line of the EUT to the L.I.S.N. Use EMI receiver to detect the average and Quasi-peak value. RBW is set to 9 kHz, VBW is set to 30kHz. The measurement result should include both L line and N line.



Note: Power Supply is AC Power source and it is used to change the voltage 120V/60Hz.

Limits

Frequency (MHz)	Conducted Limits(dBμV)	
	Quasi-peak	Average
0.15 - 0.5	66 to 56 *	56 to 46 *
0.5 - 5	56	46
5 - 30	60	50

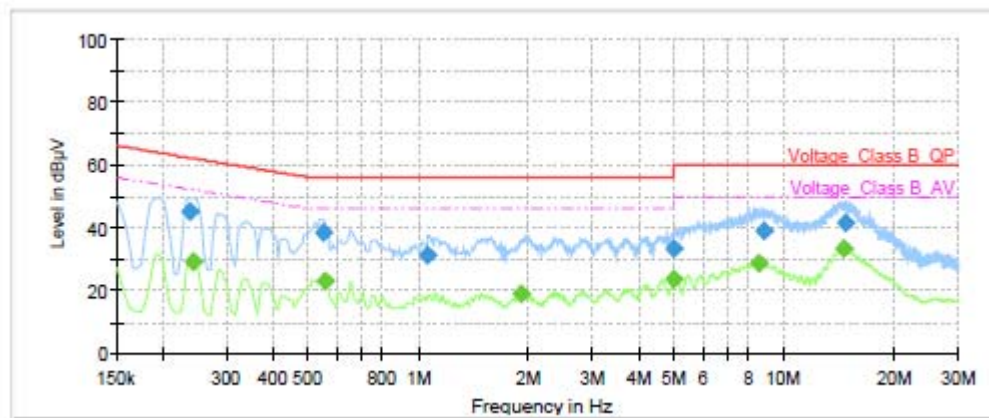
*: Decreases with the logarithm of the frequency.

Measurement Uncertainty

The assessed measurement uncertainty to ensure 95% confidence level for the normal distribution is with the coverage factor $k = 1.96$. $U = 2.57$ dB.

Test Results

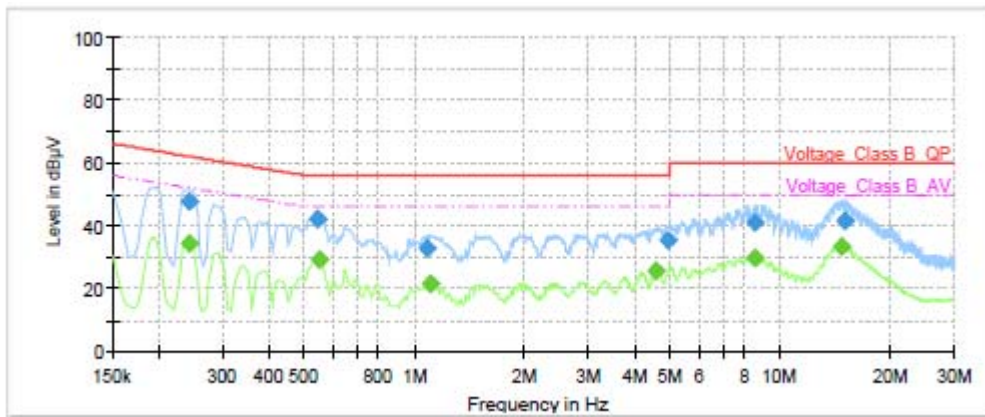
Following plots, Blue trace uses the peak detection; Green trace uses the average detection.



Frequency (MHz)	QuasiPeak (dBµV)	Average (dBµV)	Limit (dBµV)	Margin (dB)	Meas. Time (ms)	Bandwidth (kHz)	Line	Filter	Corr. (dB)
0.24	45.34	---	62.17	16.83	1000.0	9.000	L1	ON	19.12
0.24	---	29.47	52.02	22.55	1000.0	9.000	L1	ON	19.11
0.55	38.34	---	56.00	17.66	1000.0	9.000	L1	ON	19.25
0.56	---	23.05	46.00	22.95	1000.0	9.000	L1	ON	19.25
1.07	31.30	---	56.00	24.70	1000.0	9.000	L1	ON	19.24
1.90	---	19.07	46.00	26.93	1000.0	9.000	L1	ON	19.16
4.99	33.09	---	56.00	22.91	1000.0	9.000	L1	ON	19.08
5.00	---	23.75	46.00	22.25	1000.0	9.000	L1	ON	19.08
8.55	---	28.68	50.00	21.32	1000.0	9.000	L1	ON	19.24
8.81	38.79	---	60.00	21.21	1000.0	9.000	L1	ON	19.27
14.66	---	33.26	50.00	16.74	1000.0	9.000	L1	ON	19.50
14.74	41.59	---	60.00	18.41	1000.0	9.000	L1	ON	19.51

L line

Conducted Emission from 150 KHz to 30 MHz



Frequency (MHz)	QuasiPeak (dBµV)	Average (dBµV)	Limit (dBµV)	Margin (dB)	Meas. Time (ms)	Bandwidth (kHz)	Line	Filter	Corr. (dB)
0.24	---	34.32	52.02	17.70	1000.0	9.000	N	ON	19.11
0.24	47.65	---	62.02	14.37	1000.0	9.000	N	ON	19.11
0.54	42.11	---	56.00	13.89	1000.0	9.000	N	ON	19.25
0.55	---	29.18	46.00	16.82	1000.0	9.000	N	ON	19.25
1.08	32.62	---	56.00	23.38	1000.0	9.000	N	ON	19.24
1.10	---	21.57	46.00	24.43	1000.0	9.000	N	ON	19.24
4.60	---	25.84	46.00	20.16	1000.0	9.000	N	ON	19.10
4.95	35.18	---	56.00	20.82	1000.0	9.000	N	ON	19.07
8.56	40.99	---	60.00	19.01	1000.0	9.000	N	ON	19.25
8.56	---	29.85	50.00	20.15	1000.0	9.000	N	ON	19.25
14.73	---	33.58	50.00	16.42	1000.0	9.000	N	ON	19.47
15.13	41.33	---	60.00	18.67	1000.0	9.000	N	ON	19.46

N line

Conducted Emission from 150 KHz to 30 MHz



4 Main Test Instrument

Name	Manufacturer	Type	Serial Number	Calibration Date	Expiration Time
Spectrum Analyzer	R&S	FSV40	15195-01-00	2018-05-20	2019-05-19
EMI Test Receiver	R&S	ESCI	100948	2018-05-20	2019-05-19
Trilog Antenna	SCHWARZBECK	VULB 9163	9163-201	2017-11-18	2019-11-17
Horn Antenna	R&S	HF907	100126	2018-07-07	2020-07-06
Standard Gain Horn	ETS-Lindgren	3160-09	00102643	2018-06-20	2019-06-19
EMI Test Receiver	R&S	ESR	101667	2018-05-20	2019-05-19
LISN	R&S	ENV216	101171	2016-12-16	2019-12-15
Bore Sight Antenna mast	ETS	2171B	00058752	/	/
Test software	EMC32	R&S	9.26.0	/	/

*****END OF REPORT *****

ANNEX A: The EUT Appearance and Test Configuration

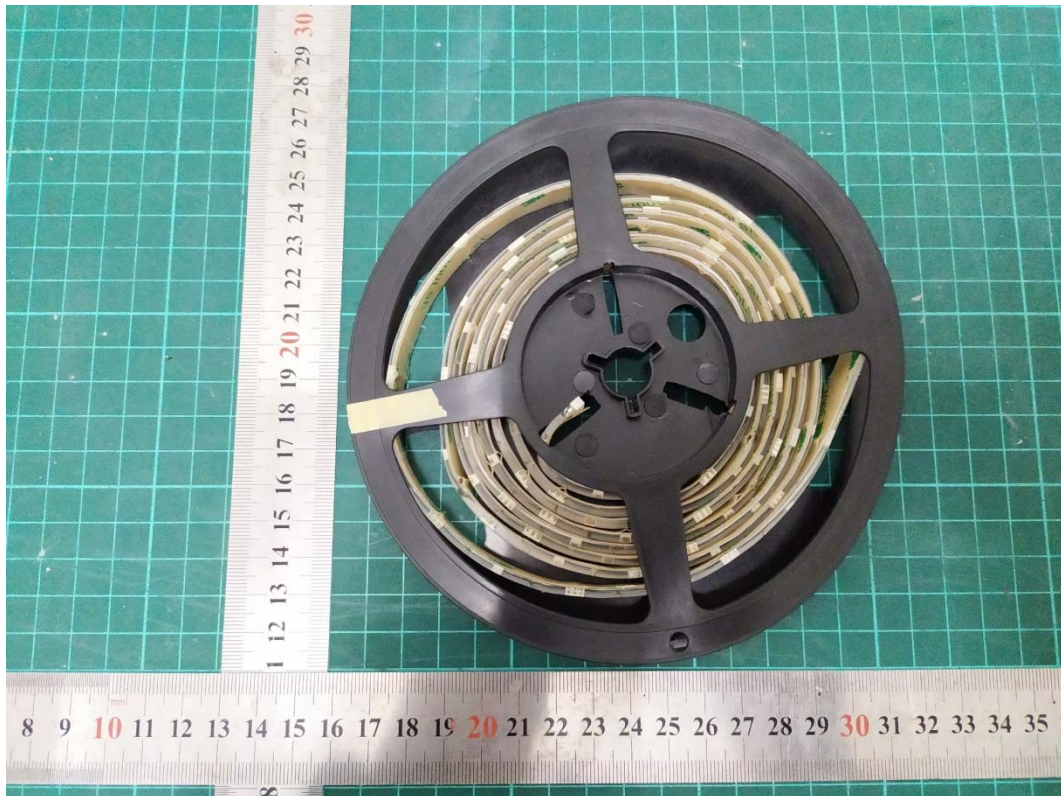
A.1 EUT Appearance

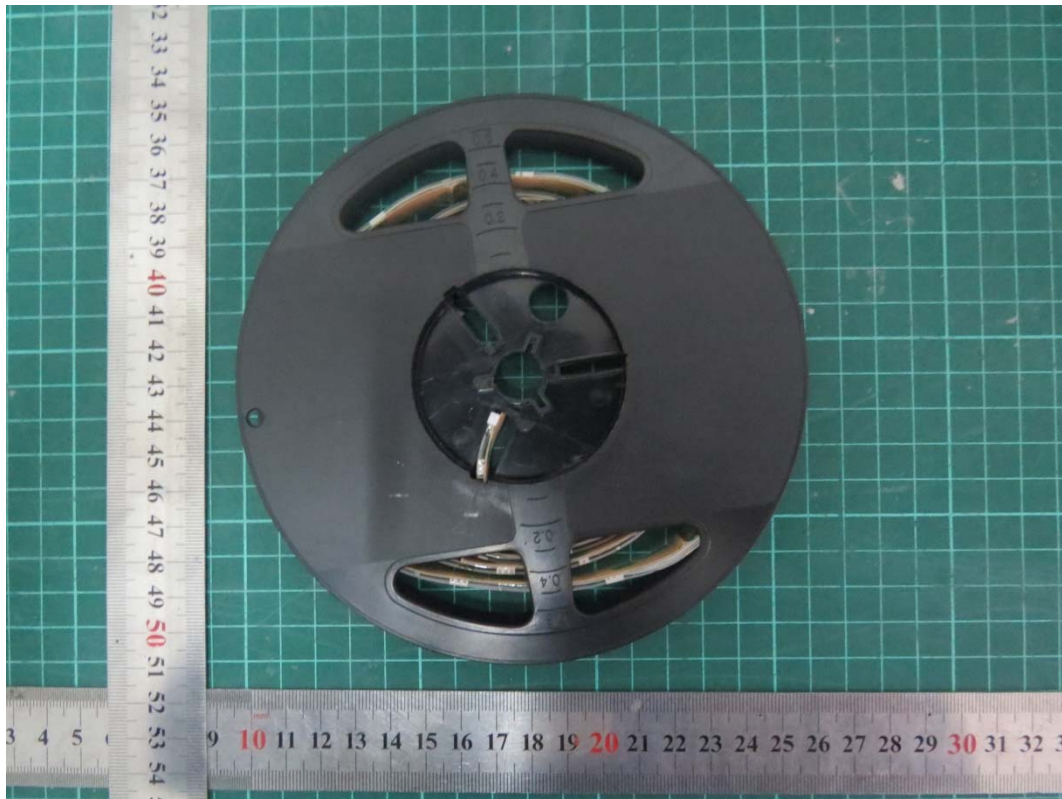


a: EUT



b: Adapter





Picture 1 EUT and Accessory

A.2 Test Setup



Below 1GHz



Above 1GHz

Picture 2 Radiated Emission Test Setup



Picture 3 Conducted Emission Test Setup