

Project: E11-G13

Project team

Version

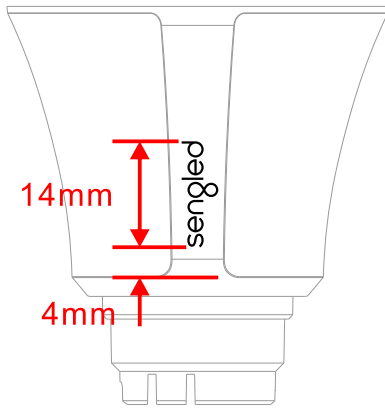
Remark

part name: housing
drawing No.: 9xxxx

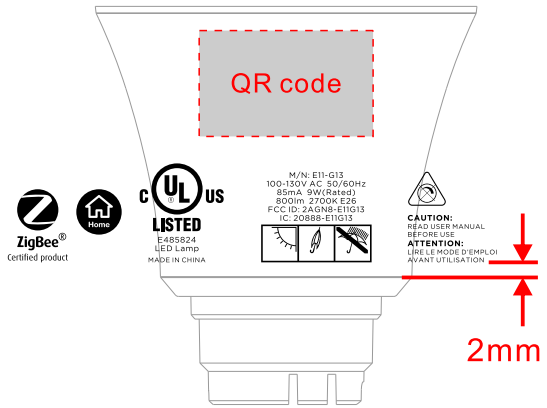
Doc Creator: Grant Ding
Check:
Approve:

1.0: 2016-09-19

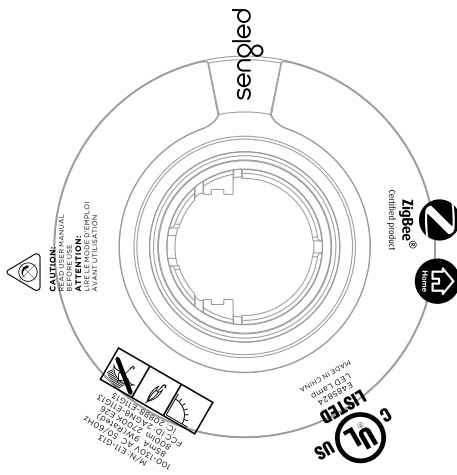
1.0:



Front view
正面



Back view
背面



Bottom view
底面

SCALE 1:1

要求：图文颜色为潘通冷灰6C(PT cool gray 6C)