

# SOUNDLOGIC™ XT

## HD PRO HEAVY BASS WIRELESS HEADPHONES



Item No : AA-VAHP  
INSTRUCTION MANUAL  
PLEASE READ ALL INSTRUCTIONS CAREFULLY  
AND RETAIN FOR FUTURE USE

### Getting started

- Remove the product from the box.
- Please retain all packaging after you have checked and counted all the parts and the contents against the list.

### Package Contents

- Bluetooth Wireless Stereo Headphones
- USB charging cable
- 3.5mm auxiliary cable
- Instruction Manual

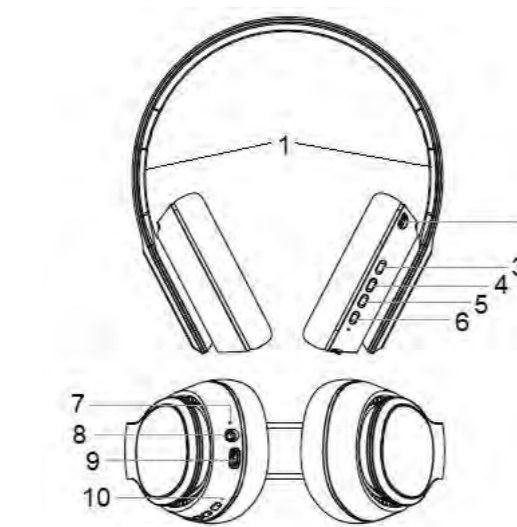
### Key Features

- Bluetooth Wireless Stereo Headphones
- Delivers stereo sound with heavy bass
- Voice assistant compatible, optimized for Siri and Google Assistant
- Built-in microphone and call control for hands free calling
- Integrated controls for call, volume and music controls
- Multi-mode connection with Bluetooth, auxiliary input, micro SD card slot and FM radio
- Built-in rechargeable battery with playback time up to 6 hours
- Adjustable headband with premium cushioning for long listening comfort
- Foldable and durable construction for on the go users
- Compatible with iPhone, iPad and other Android smartphones and tablets

### Safety Instructions

- Keep the unit away from heat sources, direct sunlight, humidity, water and any other liquids.
- Do not operate the unit if it has been exposed to water, moisture or any other liquids to prevent against electric shock, explosion and/or injury to yourself and damage to the unit.
- Do not use the unit if it has been dropped or damaged in any way.
- Repairs to electrical equipment should only be performed by a qualified electrician. Improper repairs may place the user at serious risk.
- Do not use the unit with wet hands.
- Do not put objects into any of the openings.
- Keep the unit free from dust, lint etc.
- Do not use this unit for anything other than its intended use.
- Keep the unit out of reach of children.
- This product is not a toy.
- Do not use the handset at excessive volume levels, as damage to hearing may occur.

### Description of Parts:



1	Foldable and adjustable headband
2	Micro SD Card Slot
3	MFB (Multi-Function) Button
4	Next Track / Volume Increase +
5	Previous Track / Volume Decrease -
6	Power ON/OFF/Play / Pause / Phone Button
7	Built-In Microphone
8	Auxiliary input
9	Charging port
10	LED Light Indicator

### INSTRUCTIONS FOR USE Charging Instructions

- The Bluetooth Headphone comes with a built-in rechargeable battery. Before using it for the first time we recommend you charge the battery fully. Use only the supplied USB Cord to charge the Bluetooth Headphone. Please charge for about 2 hours.
- Connect the USB charging cable to a computer USB port or other suitable charging source and the Micro USB plug to the charging port of the device. The Red LED light turns on while the device is charging. It takes 2 hours for the unit to fully charge. When the battery is fully charged, Red LED light will turn off.

### Turning on/off the device

- Press and hold the Power ON/OFF button for 2-3 seconds to turn ON the device with sound message "Power on, Bluetooth mode", Red and Blue LED lights will flash alternatively. Press and hold the Power ON/OFF button for around 2-3 seconds to turn OFF the device with sound message "Power off".

### Pairing the Headphone with Bluetooth devices (phone or music device)

- Ensure the Headphone is turned off, and then press and hold the Power ON/OFF button for 2-3 seconds to turn on. An indication tone will be heard, and Red and Blue LED lights will flash alternatively. Place the Headphone and Bluetooth device (phone or music device) so that they are no further than 1 meter apart;
- Activate the Bluetooth function on your Bluetooth device (phone or music device). Please refer to the manufacturer's instructions for instructions on enabling Bluetooth on your device.

- Once you have activated Bluetooth on your device, select the "HD PRO" from the list of available Bluetooth devices.
- If required, enter the password '0000' to confirm & finalize pairing.
- Once paired successfully, another indication tone will be heard and Blue LED light will flash slowly.

- You can now start to use the Headphone.
- If pairing is unsuccessful, turn off the device first and then re-pair following the above steps.
- Once you have paired the Headphone with a device, the Headphone will remember this device and will pair automatically when the device's Bluetooth is activated and in range. You do not need to re-pair any previously connected devices.

- The Bluetooth Headphone will attempt to automatically connect to the last device it was paired with when switched on. If you want to pair it with a new device, please follow the steps outlined above.

- Once the Bluetooth Headphone is paired with your device the music will transmit through the Bluetooth Headphone. Please refer to your device's user manual for further information.

### Function Summary

#### Listening to Music

- Once the Headphone is paired with your device you can stream music wirelessly through the Bluetooth Headphone. Should you encounter any problems while streaming please refer your device's user manual for further information.

#### Control Function

Function	Operation	Button
Increase Volume	Playing music	A long press on the + button once will increase the volume
Decrease Volume	Playing music	A long press on the - button once will decrease the volume
Pause	Playing music	A short press on the Play / Pause button will pause the music
Play	Pausing	A short press on the Play / Pause button will restart the music
Previous track	Playing music	A short press on the Previous track button will return you to the previous track
Next track	Playing music	A short press on the Next track button will take you to the next track

(Note: An indication tone will alert you when the volume is adjusted to the maximum level.)

#### Making a call with the Bluetooth Headphone in Bluetooth mode Basic operation

Function	Operation	Button
Answer a call	Incoming Call	Short press the <b>Phone</b> to answer an incoming call
Reject Incoming Call	Incoming Call	Press and hold the <b>Phone</b> button
End a call	Incoming Call	After your phone conversation, short press the <b>Phone</b> button.
Increase Volume	During a call	A long press on the + button once will increase the volume
Decrease Volume	During a call	A long press on the - button once will decrease the volume
Redial last number	Standby mode and connected to a device	Short press the <b>Phone</b> button twice

### Please Note

- Not all mobile phones support all the functions listed above. Please refer to your cell phone's user's manual for further information.
- Certain functions and indication tone maybe vary depending on your mobile phone.

### Voice Assistant Operation

Voice Assistant is a built-in interactive feature that allows you to Start Conversation with Your Siri or Google Assistant, with a click of a button on your device.

This feature enables you to ask questions and seek assistance on a number of things from your Voice Assistant, even when you're several feet away from your phone. Below are some of the many examples listed below.

Note: Google Assistant is available on eligible Android 5.0 devices or later. Works on Lollipop, Marshmallow and Nougat Android Phones with Google Play Services, >1.5GB of memory and 720P or higher screen resolution. Please ensure Google Assistant App is downloaded and made as default Voice Assistant on your mobile device.

#### While the headphone is paired using Bluetooth, short press the MFB button to start conversation with your Siri or Google Assistant. An indication tone would be heard before you speak into the headphone.

- Example 1: Short press the MFB button, and then speak into the headphones, how's the weather today? Voice Assistant will reply with something like: mainly cloudy with a few showers.
- Example 2: Short press the MFB button, and then speak into the headphones, what's the time now? Voice Assistant will reply with something like: it is 8pm now.
- More examples:  
Set an alarm for 7am tomorrow.  
Play some music.  
What's in the news?

### FM RADIO

#### Turn on the Headphone

Press and hold the Power ON/OFF button for 2-3 seconds to turn ON the Headphone.

#### Auto-scan Stations & Play FM Radio

- Long press the MFB button, it will enter FM mode with sound from a radio station.
- To AUTO-SCAN the stations, a short press on the Play / Pause button once.
- It will take few minutes to search all the stations. Once all the stations are scanned, they get registered in memory, automatically.
- Short press - or + to skip selected stations.
- Long press the + or - button to increase or decrease the volume.

### Listening to Music using Micro SD card slot

- Turn on the Headphone.
- Insert Micro card into the card slot. There comes an indication tone and music would be automatically streamed.
- Short press Next track or Previous track button to move forward or backward on your playlist.
- Short press Play / Pause button to Play or Pause a track.
- Long press the + or - button to increase or decrease the volume.

Note: While using Bluetooth, if you insert Micro SD card, Headphone would disconnect the Bluetooth connection and switch to Micro SD card function. You can long press MFB button again, to select the Bluetooth mode.

### Tip!!

- Long press the MFB button to switch different functions of the Headphone. The functions are – Bluetooth / TF card / FM.
- When the headphone is not in use, turn it OFF to save the battery power.

### Listening to Music using AUX-In Mode

- Insert the 3.5mm auxiliary cable (included) in to the Aux input of the Headphone. And, the other end of the cable connects to the audio device (such as cell phone / computer / tablet etc.).
- Select your favorite song at the source device and play.

(Note: Using this Aux-in mode, you do not need to turn on the Headphone, and you need to control the volume increase/decrease, play/pause, next/previous track through your source device.)

### Do's and Don'ts

Do not play music at excessive levels. Damage to hearing and/or equipment may result. Do not use outdoors in wet or in damp surroundings.

### Troubleshooting

Symptom	Solution
No Sound	<ul style="list-style-type: none"><li>Power On the headphones and charge the battery</li><li>Increase the volume on your headphones, your mobile device and music source</li><li>Move your mobile device closer to the headphones and away from any interference or obstructions</li><li>User a different music source</li><li>Connect another mobile device</li></ul>
Poor Sound Quality	<ul style="list-style-type: none"><li>User a different music source</li><li>Connect another mobile device</li><li>Move your mobile device closer to the headphones and away from any interference or obstructions</li></ul>
Battery Won't Charge	<ul style="list-style-type: none"><li>Secure the ends of the USB charging cable</li><li>Try another charging source</li></ul>
Your Google Assistant not responding	<ul style="list-style-type: none"><li>This is only available for Android Mobile Devices</li><li>Make sure Google Assistant is downloaded on your mobile device and set to default voice assistant</li><li>Make sure your Android Mobile Device is Bluetooth paired with Headphone</li><li>Make sure you are in a country where Google Assistant is available</li><li>For additional support, visit <a href="http://www.support.google.com/assistant">www.support.google.com/assistant</a></li></ul>
Loud Dial Tone Noise When Activating Google Assistant	<ul style="list-style-type: none"><li>Make sure you have latest version of Google Assistant App</li><li>On your Android mobile device, go to Settings &gt; Apps &gt; Google App &gt; Disable. After that, tap Enable (If you have uninstalled Google App, please uninstall and reinstall the App).</li></ul>

### Care and Maintenance

Read the following recommendations before using the Bluetooth Headphone. Following these you will be able to enjoy the product for many years.

- Do not expose the Bluetooth Headphone to liquid, moisture or humidity to avoid the product's internal circuit being affected.
- Do not use abrasive cleaning solvents to clean the device.
- Do not expose the device to extremely high or low temperature as this will shorten the life of electronic devices, destroy the battery or distort certain plastic parts.
- Do not dispose of the device in a fire as it will result in an explosion.
- Do not expose the device to contact with sharp objects as this will cause scratches and damage.
- Do not let the device fall on the floor. The internal circuit might get damaged.
- Do not attempt to disassemble the device as it may get damaged if you are not professional.

### Specifications

Bluetooth specification	Bluetooth 4.2
Operating distance	10 meters
FM frequency range	87.5 – 108MHz
Working time	Up to 6 hours (moderate volume)
Charging input voltage	DC 5V
Charging time	About 2 hours
Built-In Battery	200mAh
Micro SD card	Supports up to 32GB

(Note: Battery life & charging time may vary based on usage & types of devices used.)

### FCC Instructions

Caution: Changes or modifications not expressly approved by the party responsible for compliance could void the user's authority to operate the product.

Note: This product has been tested and found to comply with the limits for a Class B digital device, pursuant to Part 15 of the FCC Rules. These limits are designed to provide reasonable protection against harmful interference in a residential installation. This product generates, uses and can radiate radio frequency energy and, if not installed and used in accordance with the instructions, may cause harmful interference to radio communications. However, there is no guarantee that interference will not occur in a particular installation. If the product does cause harmful interference to radio or television reception, which can be determined by turning the equipment off and on, the user is encouraged to try to correct the interference by one or more of the following measures:

- Reorient or relocate the receiving antenna.
- Increase the separation between the product and receiver.
- Connect the product into an outlet on a circuit different from that to which the receiver is connected.
- Consult the dealer or an experienced radio/TV technician for help.

This device complies with Part 15 of the FCC Rules. Operation is subject to the following two conditions: (1) this device may not cause harmful interference, and (2) this device must accept any interference received, including interference that may cause undesired operation.

### Radiation Exposure Statement

The device has been evaluated to meet general RF exposure requirement. The device can be used in portable exposure condition without restriction.