



User's Manual

H200

Wireless Headphones

Welcome | Thank you for purchasing the H200



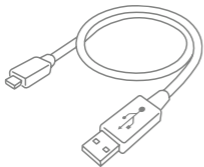
Wireless Headphones

Features

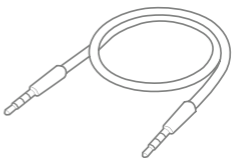
- Wireless 5.0 technology with amazing sound
- Built-in microphone with echo cancellation
- Full controls for playback and calls
- 3.5 mm auxiliary input jack

What's Included

Unpack the wireless headphones and make sure all accessories are put aside so they will not be lost.



Micro USB Cable



Audio Cord



Wireless Headphones

Contents

Introduction	
Features	2
What's Included	3
Safety Information	
Important Safety Instructions	5
Getting Started	
Location of Main Unit Controls	6
Operational Instructions	
Charging	7
Power ON/OFF	7
Pairing	7
Making Phone Calls	8
LED Indicator Chart	8
Listening to Music	9
Troubleshooting	10
Compliance with FCC Regulations	11
Warranty Information	
Limited Warranty	12
Specifications	14
Memo	15

Safety Information

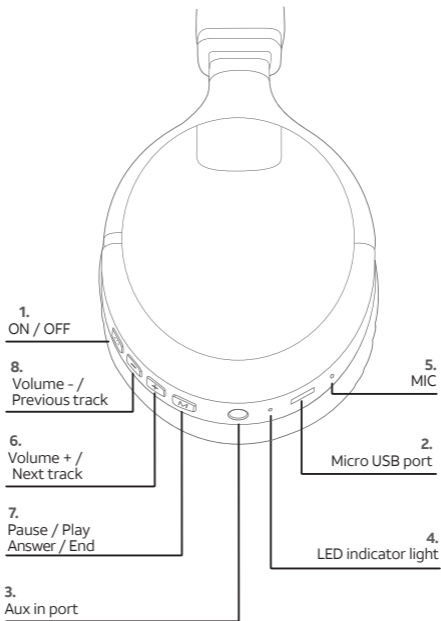
Important Safety Instructions

Please read all safety and operating instructions carefully before installation and use, and keep these instructions handy for future reference. Take special note of all warnings listed in this user's manual and on the H200.

1. **Attachments** - Do not use attachments not recommended by the manufacturer.
2. **Water and Moisture** - The unit should not be used near water. For example: near a bathtub, washbowl, kitchen sink, laundry tub, swimming pool or in a wet basement.
3. **Objects and Liquid Entry** - Care should be taken so that external objects do not fall into and liquids are not spilled onto any openings or vents located on the product.
4. **Power Source** - The unit should be connected only to a power supply of the type described in the operating instructions or as marked on the unit. If you are not sure, please consult the dealer or local power company.
5. **Heat** - The unit should be situated away from heat sources such as radiators, heat registers, stoves or other appliances (including amplifiers) that produce heat.
6. **Servicing** - The user should not attempt to service the unit beyond those methods described in the user's manual. Opening or removing covers will expose you to dangerous voltage and other hazards. Service methods not covered in the user's manual should be referred to qualified service personnel.

Getting Started

Location of Main Unit Controls



Operational Instructions

Charging

Charge your H200 through any USB jack or wall charger. The LED indicator will glow red when charging. Before using for the first time, charge at least 4 hours. After the first charge, the headset will charge in 2 to 3 hours and the LED indicator will turn off when the charge is complete.

Note: When the battery is fully charged, the LED indicator will change to blue.

Power ON/OFF

Press and hold the ON/OFF button for 2-3 seconds to switch the headset on. The LED will flash blue when powered on. Press and hold the ON/OFF button for 3 seconds to switch the headset off. When powering off, the LED will flash blue and then turn off indicating the headset is off.

Pairing

While the headset is off, press and hold the ON/OFF – for 2-3 seconds to start pairing mode. Once the headset is in the pairing mode (the LED will flash red and blue), select ‘H200’ among discovered Bluetooth devices on the phone to Pair.

Note: If the headset is not paired with a Bluetooth device in 3 minutes, it will turn itself off.

Operational Instructions

Making Phone Calls

Making a call

Once paired, use your mobile device to dial a number as usual. Once connected, the call will be heard on your H200 headset.

Answer a call

When receiving a call, press the “M” button to answer the call.

Ending a call

While talking on the phone, press the “M” button to end the call.

LED Indicator Chart

Status	Indicator
Powering ON	Blue and red lights flashing rapidly
Powering OFF	LED turns off
Low battery	Blinking red & headset emits a beep
Charging	Solid red light
Pairing mode	Blue and red lights flashing rapidly
Connection complete	Blue light blinks every 3 seconds
Playing music	Blinking blue light

Operational Instructions

Listening to Music

Play/Pause

Press the “M” button to launch the phone’s music player and to start listening to music. While listening to music, press the “M” button to pause or to resume play.

Song selection

While music is playing, press the **|+|** or **|-|** buttons to skip or go to previous songs.

Answer a call while listening to music

When receiving a call, press the “M” button to answer the call. Press the “M” button while on the phone to end the call. When receiving a call, press and hold the “M” button to reject the call. (Music will resume playing when the call is rejected.)

Volume control

Press and hold Volume **|+|** and Volume **|-|** buttons to adjust the volume level.

Troubleshooting

Symptom	Solution
Music is not streaming over Bluetooth®	Check to make sure both devices are paired and connected over Bluetooth. Restart the headphone to auto-connect with your Bluetooth device.
No power	Make sure the H200 is fully charged.
Headphone does not answer phone calls	Check to make sure both devices are paired and connected over Bluetooth. Restart the H200 to auto-connect with your Bluetooth device.
Music does not resume after ending a call	Press play to resume music.

Compliance with FCC Regulations

Caution!

The user is cautioned that changes or modifications not expressly approved by the party responsible for compliance could void the user's authority to operate the equipment.

The equipment has been tested and found to comply with the limits for a Class B digital device, pursuant to Part 15 of the FCC Rules. These limits are designed to provide reasonable protection against harmful interference in a residential installation. This equipment generates, uses, and can radiate Radio frequency energy and, if not installed and used in accordance with the instructions, may cause harmful interference to Radio communications.

However, there is no guarantee that interference will not occur in a particular installation. If this equipment does cause harmful interference to Radio or television reception, which can be determined by turning the equipment off and on, the user is encouraged to try to correct the interference by one or more of the following measures:

- Reorient or relocate the receiving antenna.
 - Increase the separation between the equipment and receiver.
 - Connect the equipment into an outlet on a circuit different from which the receiver is connected.
 - Consult the dealer or an experienced Radio/television technician for assistance.
- This equipment complies with FCC's RF radiation exposure limits set forth for an uncontrolled environment. The antenna(s) used for this transmitter must be installed and operated to provide a separation distance of at least 5mm from all persons and must not be collocated or operating in conjunction with any other antenna or transmitter. Installers must ensure that 5mm separation distance will be maintained between the device (excluding its handset) and users.

THE SPECIFICATION AND EXTERNAL APPEARANCE OF THE HEADPHONES ARE SUBJECT TO CHANGE WITHOUT PRIOR NOTICE.



If at any time in the future you should need to dispose of this product, please note that waste electrical products should not be disposed of with household waste. Please recycle where facilities exist. Check with your local authority or retailer for recycling advice.

Warranty Information

Limited Warranty

The AT&T brands are used under license. Any repair, replacement, or warranty service, and all questions about this product should be directed to Concept 101 LLC at www.att.com/electronics or call 1 (888) 920-8680 from the USA or Canada.

Concept 101 LLC warrants to the original purchaser that the product will be free from defects in material, parts and workmanship for the period designated for this product. The warranty commences the day the product is purchased and covers up to a period of one (1) year. Concept 101 LLC agrees that it will, at its option, replace the defective product with either a new or remanufactured headset equivalent to your original purchase during the warranty period. Should the Parts warranty period exceed the Labor warranty period, Concept 101 LLC will supply at no charge for the remainder of the Parts warranty, any new or remanufactured replacement parts as required by the product. During this period all labor and service charges will become the responsibility of the customer.

Exclusions: This warranty does not apply to the appearance or exterior of the product which may have been damaged or defaced, altered or modified in design or construction. This warranty does not apply if the serial number is altered or removed, or if there is any damage due to power line surge, user damage to the AC power cord, connection to improper voltage source, general misuse, accidents, or repair attempts by unauthorized service agents. Other exclusions include ear pads, rechargeable and non-rechargeable batteries.

REPAIR OR REPLACEMENT AS PROVIDED UNDER THIS WARRANTY IS THE EXCLUSIVE REMEDY OF THE CUSTOMER; Concept 101 LLC SHALL NOT BE LIABLE FOR ANY INCIDENTAL OR CONSEQUENTIAL DAMAGES FOR BREACH OF ANY EXPRESS OR IMPLIED WARRANTY ON THIS PRODUCT, EXCEPT TO THE EXTENT PROHIBITED BY APPLICABLE LAW. ANY IMPLIED WARRANTY OF MERCHANTABILITY OF FITNESS FOR A PARTICULAR PURPOSE ON THIS PRODUCT IS LIMITED TO THE DURATION OF THE WARRANTY.

Warranty Information

Some states do not allow the exclusion or limitations of incidental or consequential damages, or limitations on how long the warranty lasts. In these cases the above exclusions or limitations may not apply to you. This warranty gives you specific legal rights and you may also have other rights which vary from state to state.

Obtaining Service: To obtain service, product literature, supplies or accessories please call 1 888-920-8680, or visit our website, www.att.com/electronics, to create a ticket for exchange/repair. Please make sure to provide the date of purchase, model number and a brief description of the problem. Our customer service representative will contact you or send detailed return instructions.

Concept 101 LLC does not warrant that the headset will work properly in all environmental conditions, and makes no warranty and representation, either implied or expressed, with respect to the quality, performance, merchantability, or fitness for a particular purpose other than the purpose identified within this user's manual. Concept 101 LLC has made every effort to ensure that this user's manual is accurate and disclaims liability for any inaccuracies or omissions that may have occurred. Information in this user's manual is subject to change without notice and does not represent a commitment on the part of Concept 101 LLC. Concept 101 LLC reserves the right to make improvements to this user's manual and/or to the products described in this user's manual at any time without notice. If you find information in this manual that is incorrect, misleading, or incomplete, please contact us through our website.

Specifications

- Wireless version - 5.0
- Charging time - approximately 2 hours
- Battery - 3.7V 240Mah
- Playback Time - up to 7 hours

This device complies with part 15 of the FCC Rules. Operation is subject to the following two conditions: (1) This device may not cause harmful interference, and (2) this device must accept any interference received, including interference that may cause undesired operation.

Memo

Purchase date:

Place of purchase:



www.att.com/electronics

© 2020 Concept 101 LLC. All Rights Reserved. AT&T and the AT&T logo are trademarks of AT&T Intellectual Property licensed to Concept 101 LLC, New York, New York 10018. Printed in China. Issue 1.1 AT&T 11/2020.

"The Bluetooth® word mark and logos are registered trademarks owned by Bluetooth SIG, Inc.