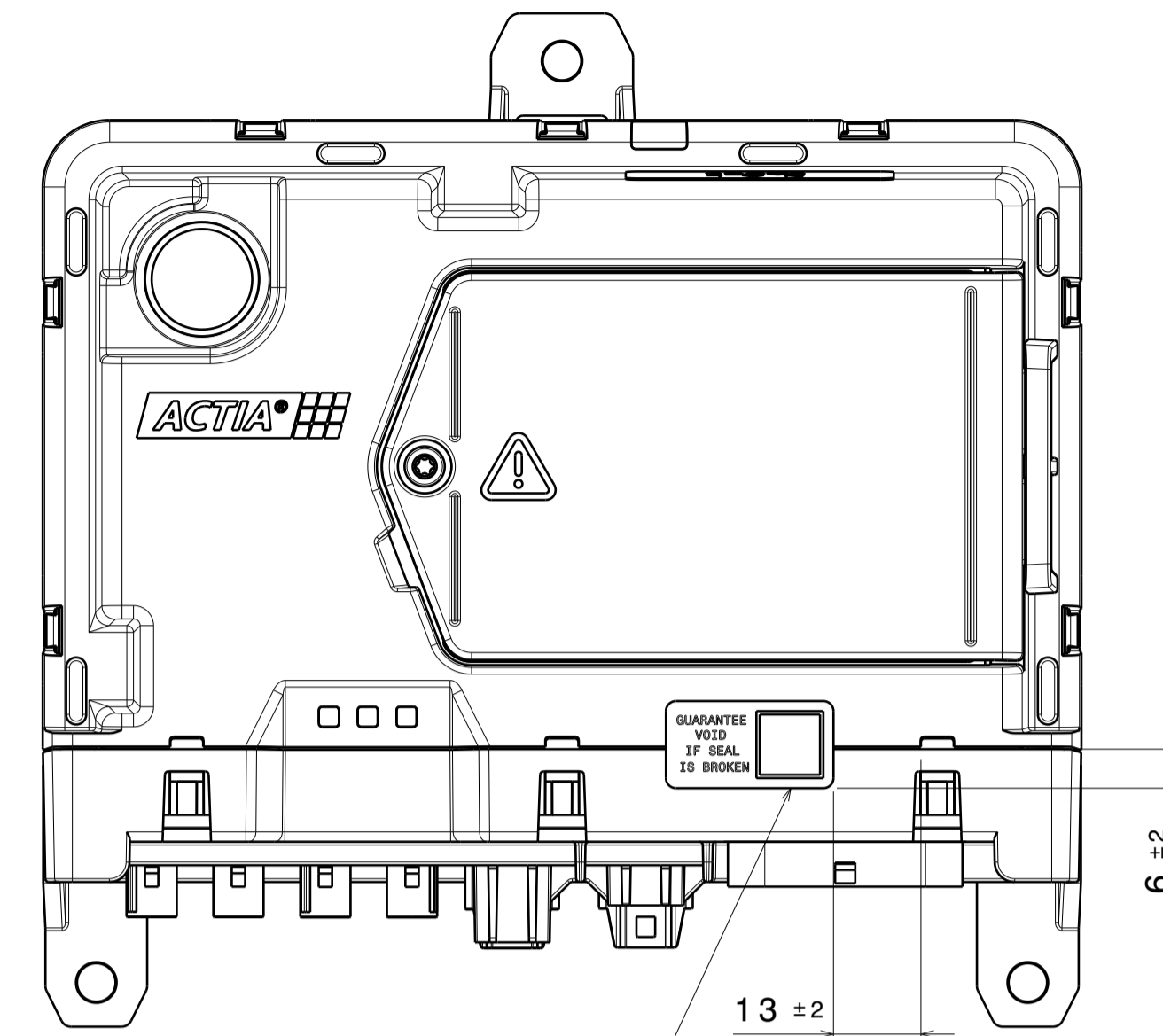
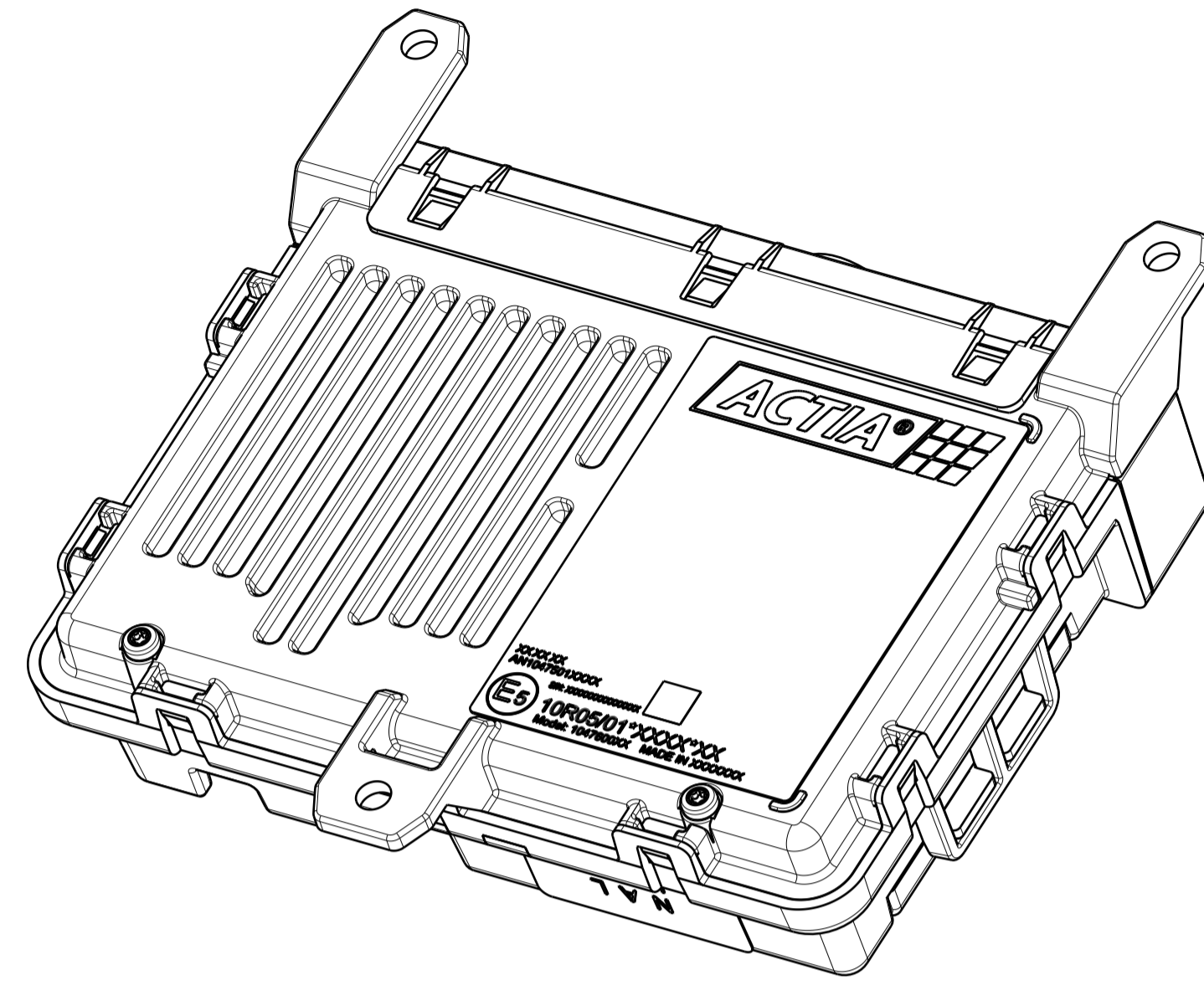
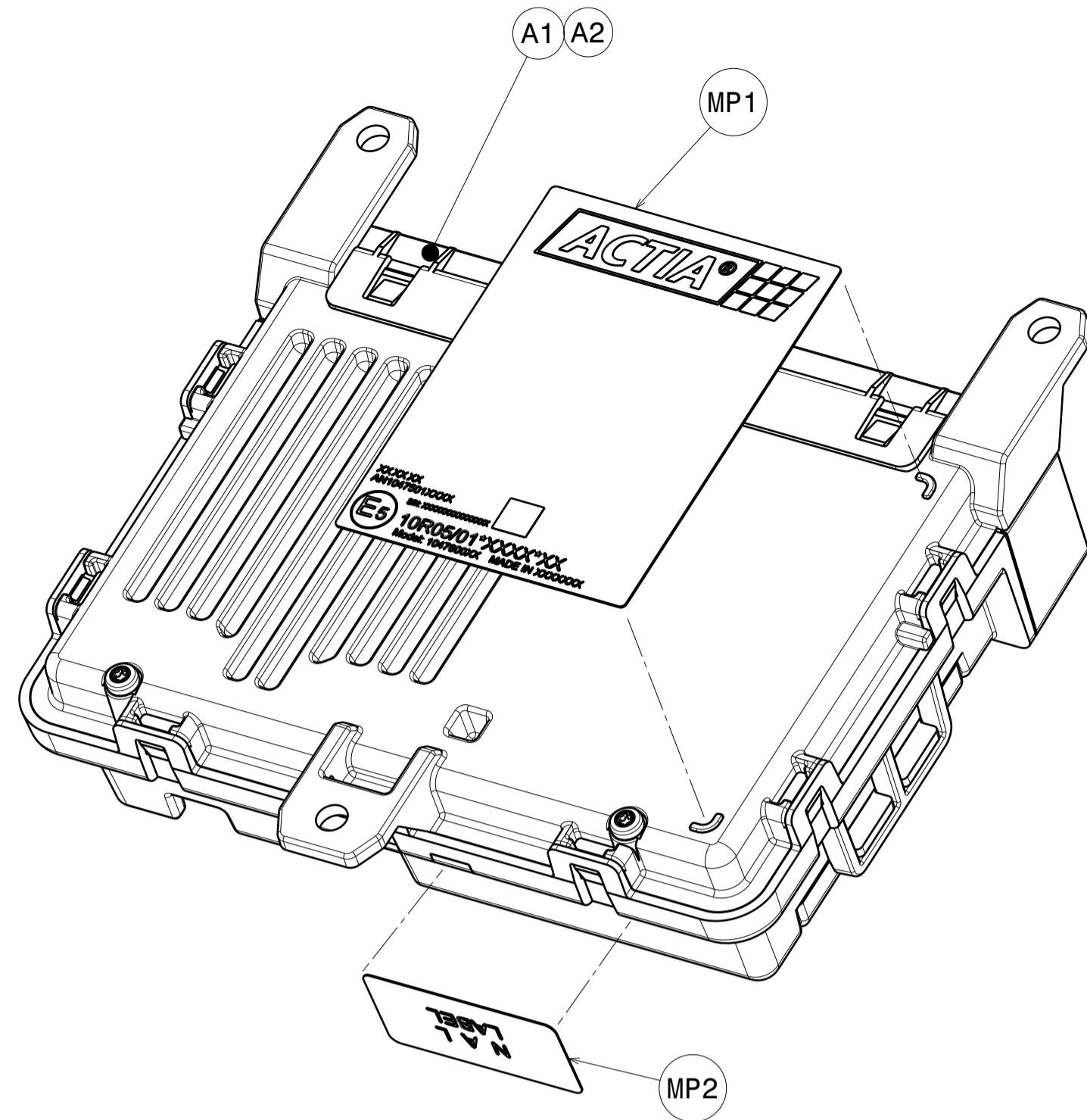
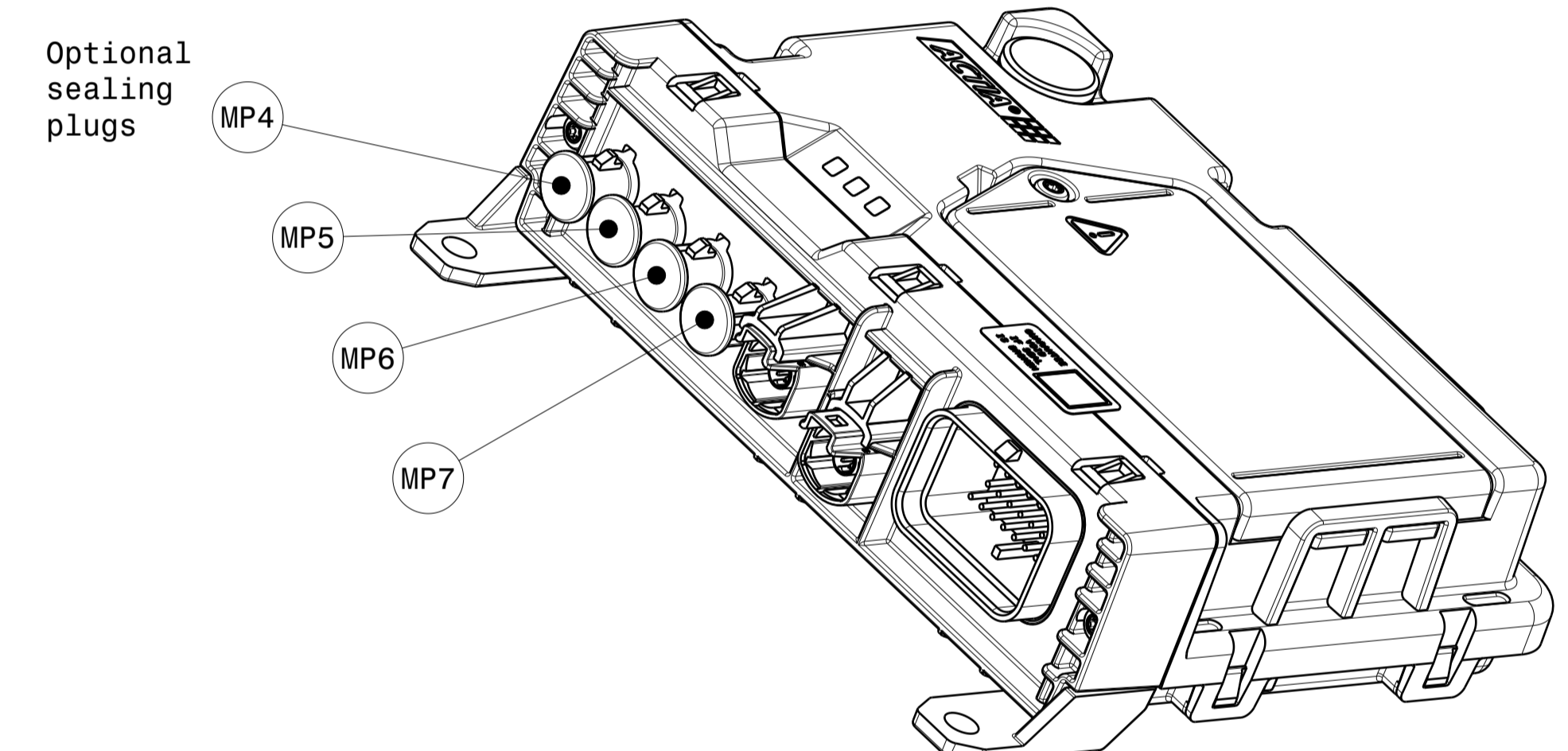
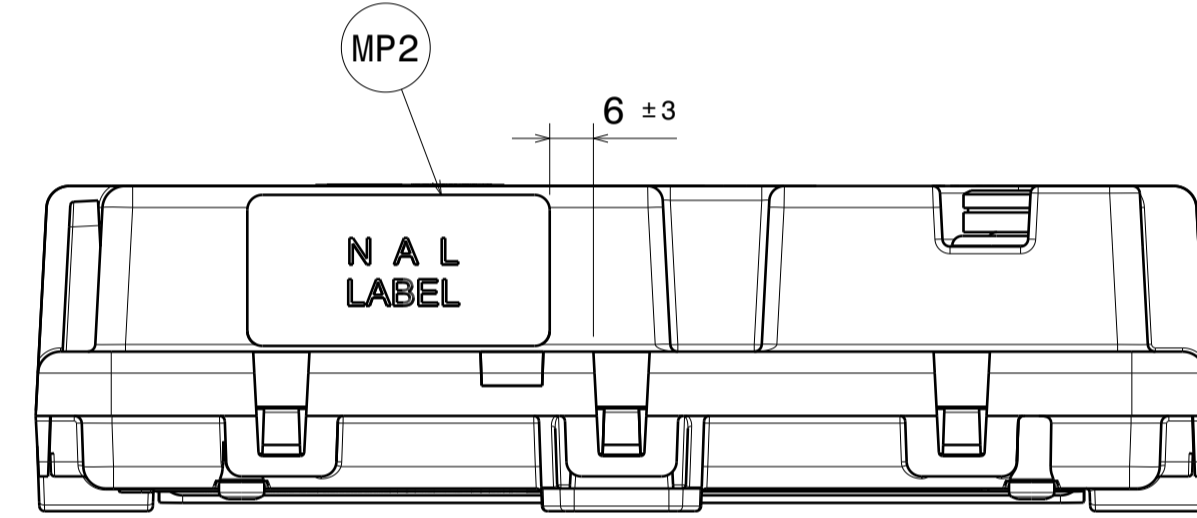


REV	DATE	DESCRIPTION	INIT
A1.0.0	2021-06-21	Released for A1 build	UA
A2.0.0	2021-11-29	Released for A2 build	UA
A2.1.0	2022-04-08	Optional sealing plugs added	UA
B1.0.0	2022-08-24	Released for B1 build	UA
B1.0.1	2022-09-15	Label layout updated	UA
B1.0.1	2023-03-01	Power rating updated, IP rating added	UA



MP3 Print: GUARANTEE VOID IF SEAL IS BROKEN + Actia Serial No, Data Matrix ECC200



MPI Printing Instructions

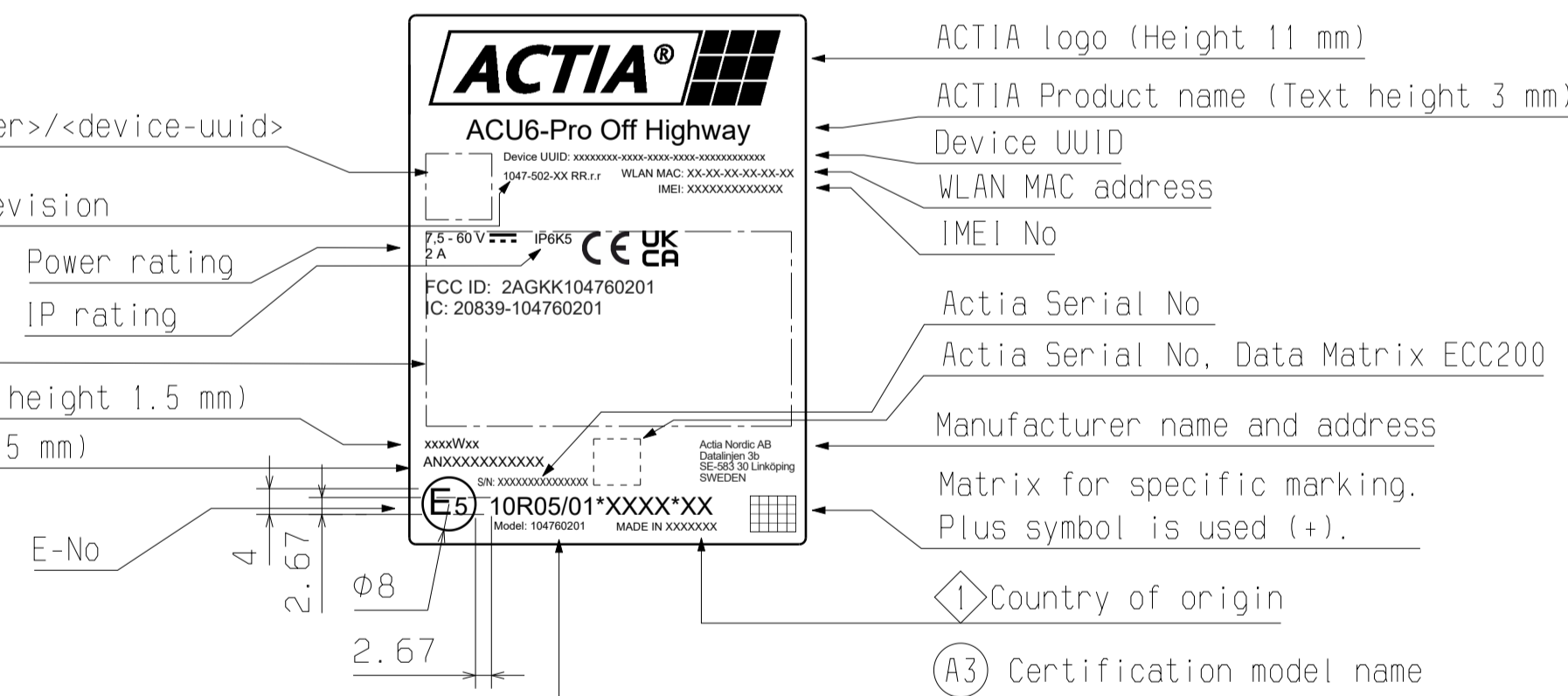
Label size: 60 x 80 mm
 Clearance, Print to label outline: 2 mm
 Text font: Arial or similar
 Text height: 1.2 mm unless otherwise specified

XX to be replaced by actual data

Country of origin
 COLOMIERS->FRANCE
 CIPI-> TUNISIA
 LINKÖPING->SWEDEN

Label layout

QR code containing:
<https://qr.actia.se/<product-number>/<device-uuid>>
 ACTIA Nordic product number and revision
 Power rating
 IP rating
 Area for certification markings
 Manufacturing year and week (Text height 1.5 mm)
 Actia part number (Text height 1.5 mm)



This print remains our property based on our capacity of originator and it must neither be copied nor reproduced. It must not be placed at the disposal of any third party. Every illicit use will be prosecuted according to law.				ACTIA Nordic AB Datalinjen 3b SE-583 30 LINKÖPING SWEDEN www.actia.se	
DRAWN BY	DATE	DRAWING TITLE			
Urban Axelsson	2023-03-01	ACU6-AM1-BU2 Assembly drawing			
CHECKED BY	DATE	SIZE	DRAWING NUMBER	REV	
Johan Juel	YYYY-MM-DD	A1	1047-502-00	B1.0.1	
APPROVED BY	DATE	SCALE	CUSTOMER	SHEET 1/1	
Tomas Gardström	YYYY-MM-DD	1:1		Copyright © 2018-2025 ACTIA Nordic AB ALL details in this drawing are Confidential	
TOLERANCE MATERIAL					