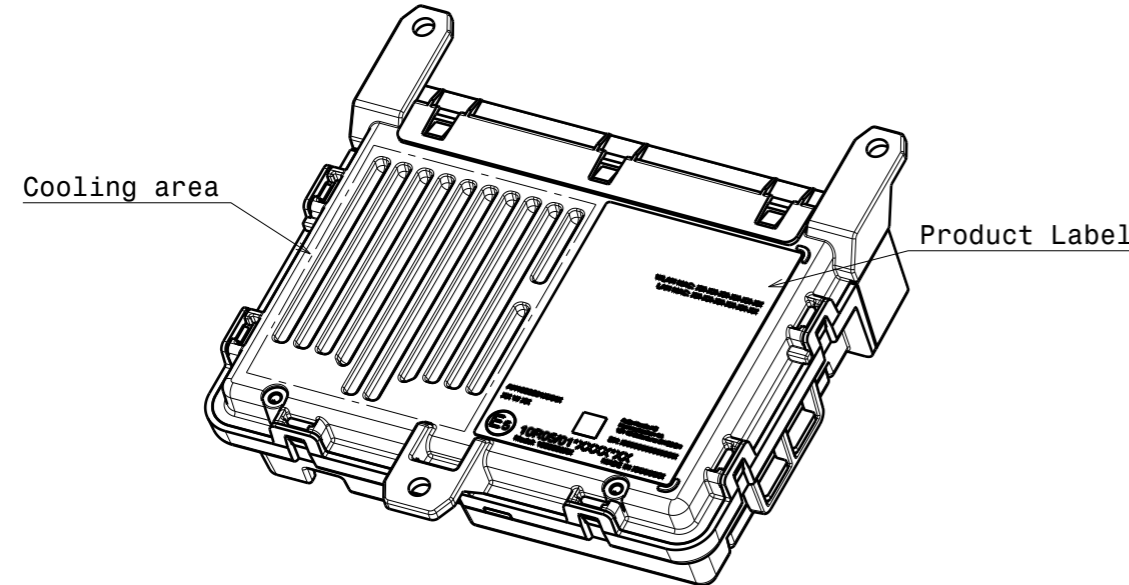
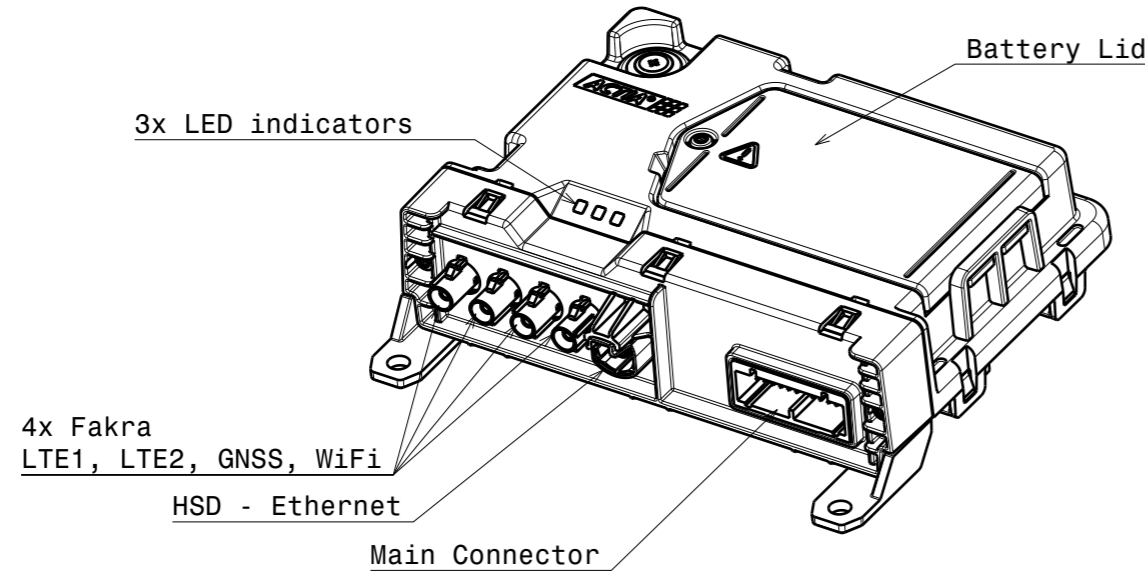



REV	DATE	DESCRIPTION	INIT
0.1	2020-12-16	Draft for discussion	UA
0.2	2021-01-26	Mounting recommendations updated.	UA
1.0	2021-01-26	Initial release	UA
1.1	2021-01-29	Update the drawing in a datum system (ISO-GPS 8015)	SJ
2.0	2021-09-15	Update Antenna keep out zones	UA

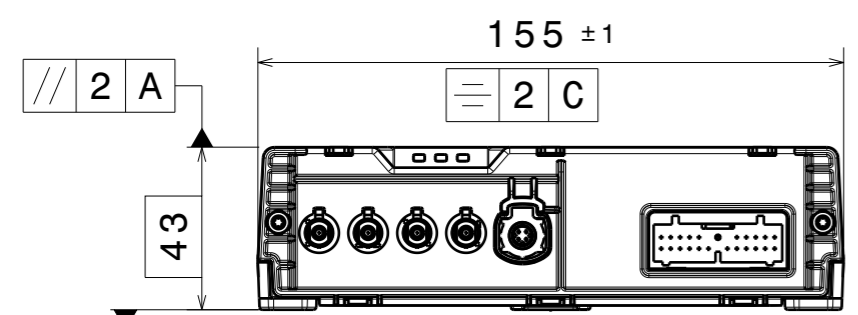
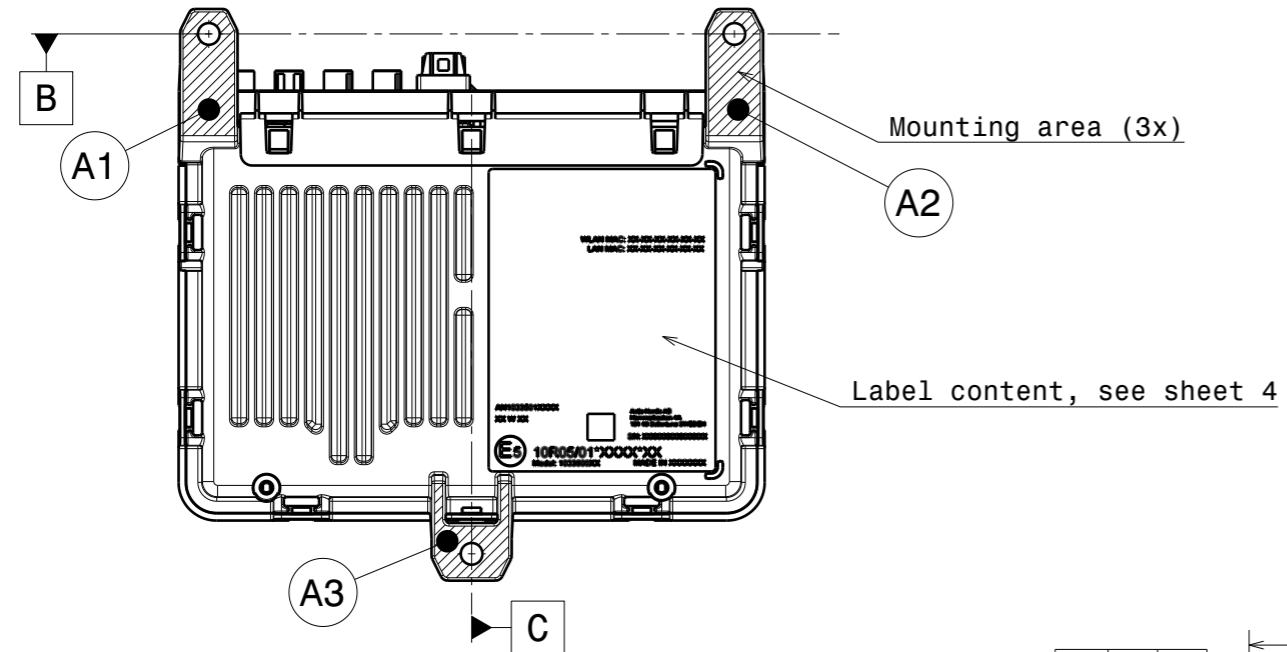


Notes:

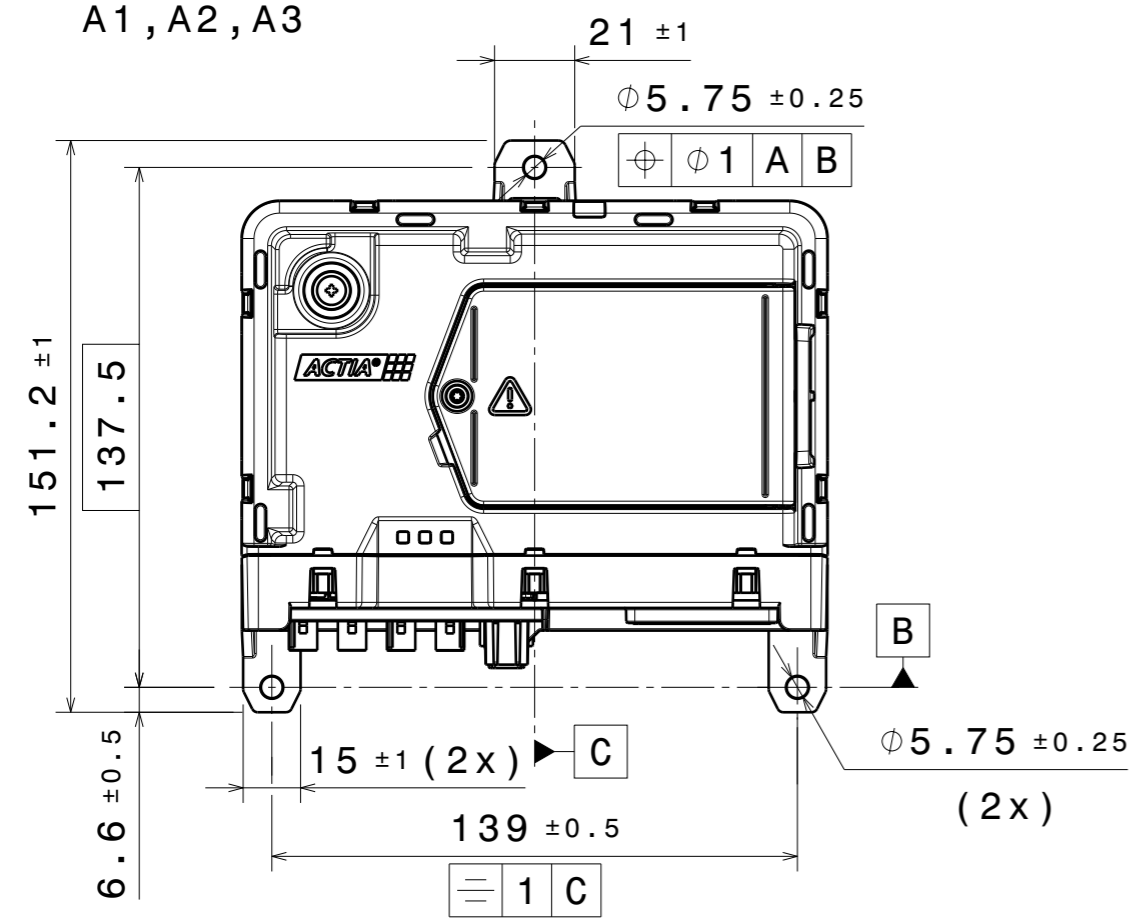
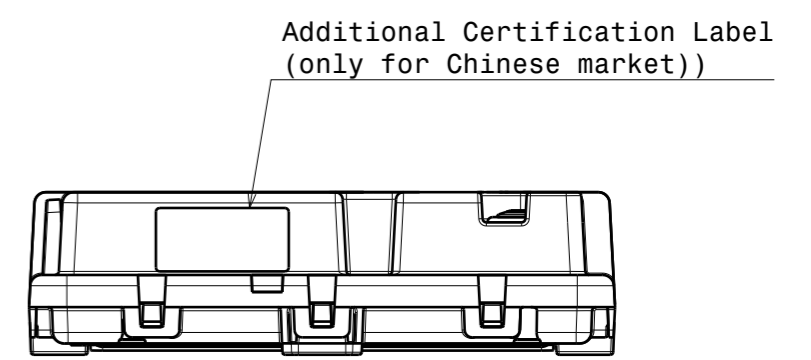
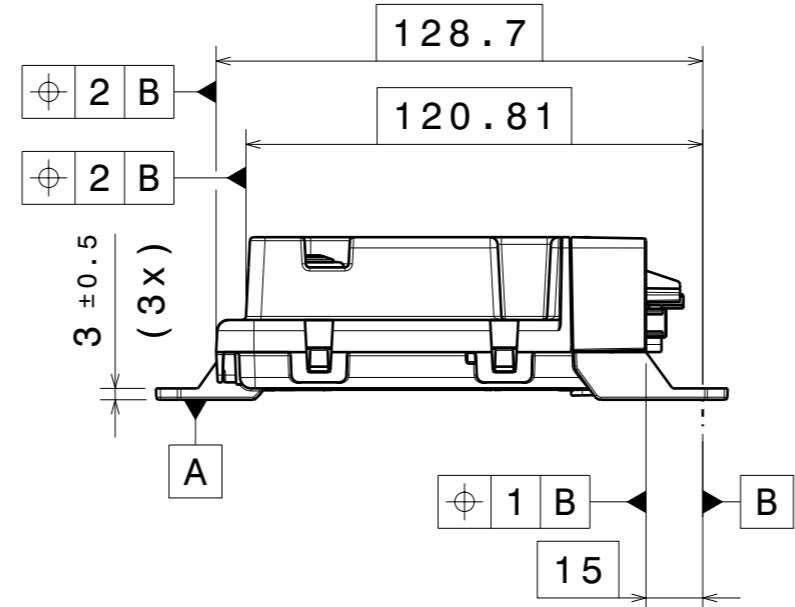
- Weight (excl. battery): 435 g
- Weight (incl. battery): 515 g
- Housing materials:
Bottom Cover: Aluminium Alloy ENAC 43400
Other parts: PC-ABS UL94 V-0 Black

This print remains our property based on our capacity of originator and it must neither be copied nor reproduced. It must not be placed at the disposal of any third party. Every illicit use will be prosecuted according to law.		 ACTIA Nordic AB (Stockholm) Hammarbacken 4a SE-191 49 SOLLENTUNA www.actia.se	
DRAWING TITLE		ACU6-LV1 Interface drawing	
DRAWN BY	DATE	SIZE	DRAWING NUMBER
Urban Axelsson	2021-09-15	A3	1033-010-00
CHECKED BY	DATE	SCALE	REV
Tomas Westlund	2021-09-15	1:2	2.0
TOLERANCE	CUSTOMER	WEIGHT(kg)	SHEET
-	-	See notes	1/6

REV	DATE	DESCRIPTION	INIT
		See sheet 1	



A
0,5cz
A1, A2, A3



This print remains our property based on our capacity of originator and it must neither be copied nor reproduced. It must not be placed at the disposal of any third party. Every illicit use will be prosecuted according to law.

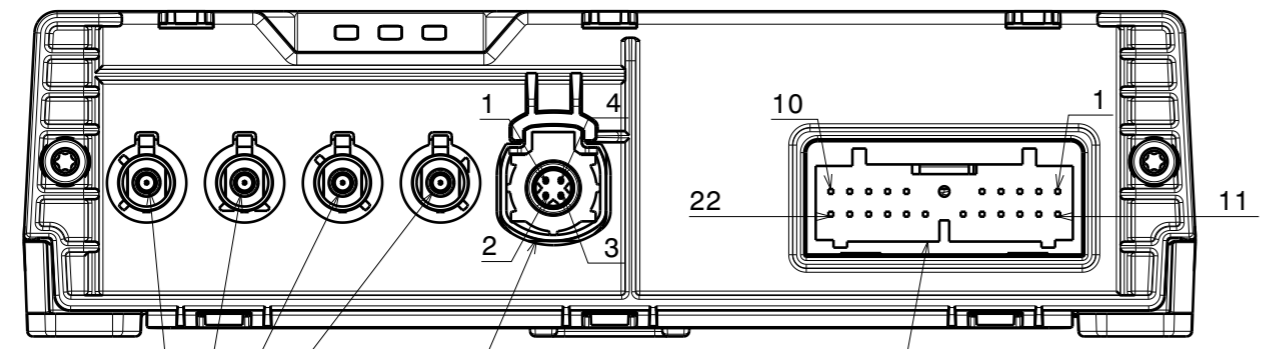


ACTIA Nordic AB (Stockholm)
Hammarbacken 4a
SE-191 49 SOLLENTUNA
www.actia.se

DRAWN BY Urban Axelsson		DATE 2021-09-15		DRAWING TITLE ACU6-LV1 Interface drawing	
CHECKED BY Tomas Westlund		DATE 2021-09-15		SIZE A3	DRAWING NUMBER 1033-010-00
TOLERANCE -		CUSTOMER -		REV 2.0	SCALE 1:2 WEIGHT(kg) See notes SHEET 2/6

REV	DATE	DESCRIPTION	INIT
-----	------	-------------	------

See sheet 1



MOLEX 73403-6403 FAKRA CODE D BORDEAUX VIOLET	
PIN NO	FUNCTION
1	LTE1
2	GND

MOLEX 73403-6411 FAKRA CODE L CARMINE RED	
PIN NO	FUNCTION
1	LTE2
2	GND

MOLEX 73403-6402 FAKRA CODE C BLUE	
PIN NO	FUNCTION
1	GNSS
2	GND

MOLEX 73403-6407 FAKRA CODE H VIOLET	
PIN NO	FUNCTION
1	WIFI
2	GND

ROSENBERGER D4S24D-400A5-E HSD CODE E, GREEN	
PIN NO	SIGNAL NAME
1	ETH_TRXP
2	DO NOT CONNECT
3	ETH_TRXN
4	DO NOT CONNECT
5	GND

JAE IL-AG5-22PK-D3L2-LB LIGHT BLUE	
PIN NO	SIGNAL NAME
1	SPARE
2	SPARE
3	SPARE
4	IMPACT_TRIGGER
5	VBAT
6	GND
7	SPARE
8	SPEAKER_M
9	SPARE
10	MIC_M
11	CAN_M (Optional)
12	CAN_P (Optional)
13	CAN_RETURN (Optional)
14	TUIM_LED RETURN
15	TUIM_BACKLIGHT_LED
16	TUIM_BUTTON_LED
17	TUIM_BUTTON_DIAG
18	TUIM_BUTTON
19	BUTTON_RETURN
20	SPEAKER_P
21	MIC_SHIELD
22	MIC_P

This print remains our property based on our capacity of originator and it must neither be copied nor reproduced. It must not be placed at the disposal of any third party. Every illicit use will be prosecuted according to law.



ACTIA Nordic AB (Stockholm)
Hammarbacken 4a
SE-191 49 SOLLENTUNA
www.actia.se

DRAWN BY Urban Axelsson		DATE 2021-09-15		DRAWING TITLE ACU6-LV1 Interface drawing	
CHECKED BY Tomas Westlund		DATE 2021-09-15		SIZE A3	DRAWING NUMBER 1033-010-00
TOLERANCE -		CUSTOMER -		SCALE 1:1	WEIGHT(kg) See notes
				SHEET 3/6	REV 2.0

See sheet 1

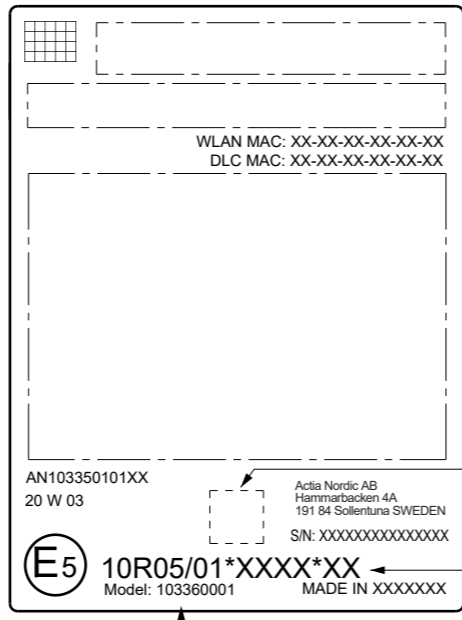
General product label layout

Matrix for specific marking.
Plus symbol is used (+).

Certification markings

Actia Part No and revision


Manufacturing Date, Type W [YY W WW]



General label design and content description
(Region or version specific label layouts TBD)

Label size: 60 x 80 mm
Clearance, Print to label outline: 2 mm
Text font: Arial or similar
Text height: 1.5 mm unless otherwise specified

◇ Country of origin
COLOMIERS->FRANCE - 法国
CIP1-> TUNISIA - 突尼斯

This print remains our property based on our capacity of originator and it must neither be copied nor reproduced. It must not be placed at the disposal of any third party. Every illicit use will be prosecuted according to law.				ACTIA Nordic AB (Stockholm) Hammarbacken 4a SE-191 49 SOLLENTUNA www.actia.se	
DRAWN BY Urban Axelsson		DATE 2021-09-15		DRAWING TITLE ACU6-LV1 Interface drawing	
CHECKED BY Tomas Westlund		DATE 2021-09-15		SIZE A3	
TOLERANCE -		CUSTOMER -		DRAWING NUMBER 1033-010-00	
		SCALE 1:1		WEIGHT(kg) See notes	
				REV 2.0	
				SHEET 4/6	

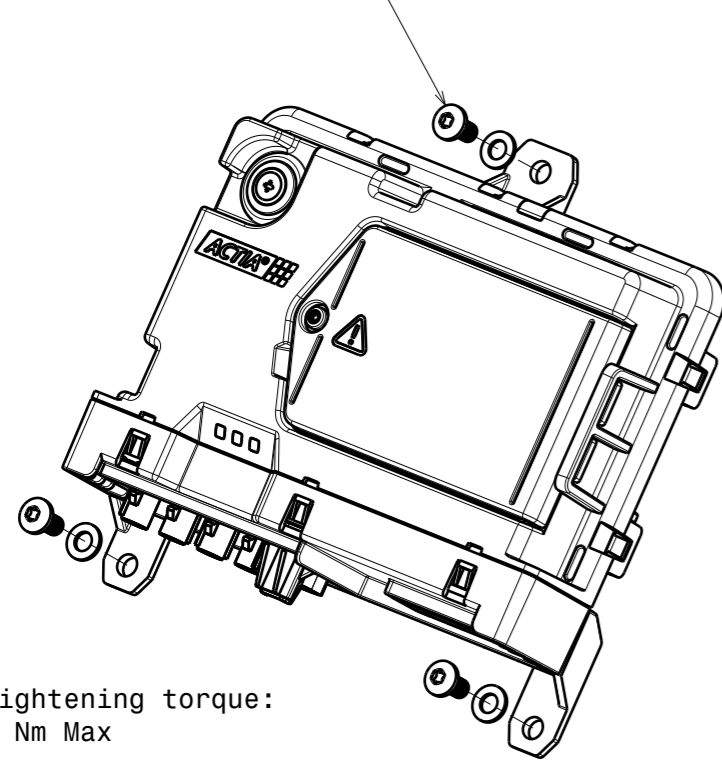
REV	DATE	DESCRIPTION	INIT
-----	------	-------------	------

See sheet 1

Recommended mounting

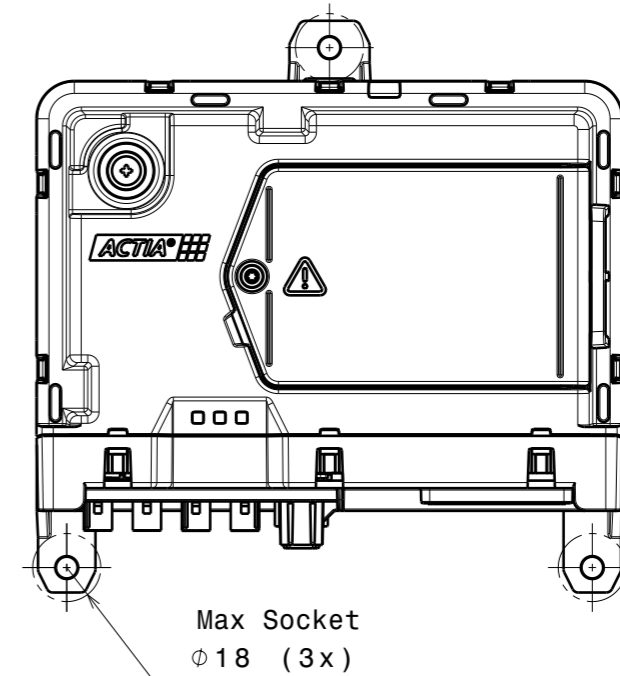
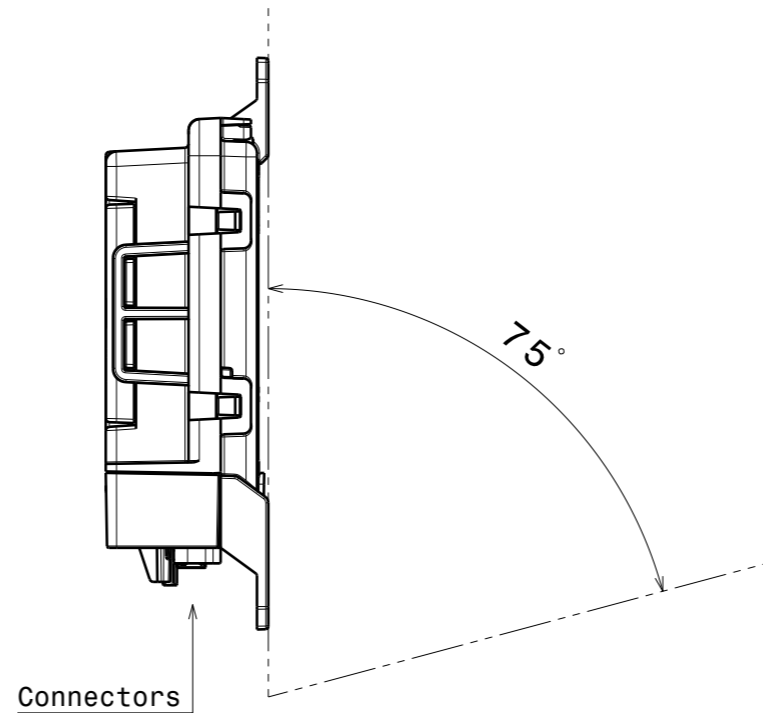
Preferrably fasten the unit with screws or nuts to a flat hard surface.
 If the mounting surface is covered with Carpet or similar, adjust the tightening torque to obtain approximately 1 mm Carpet compression in order to maintain an air gap between the Carpet and the unit's bottom cooling area.

3x M5 Screws and Washers

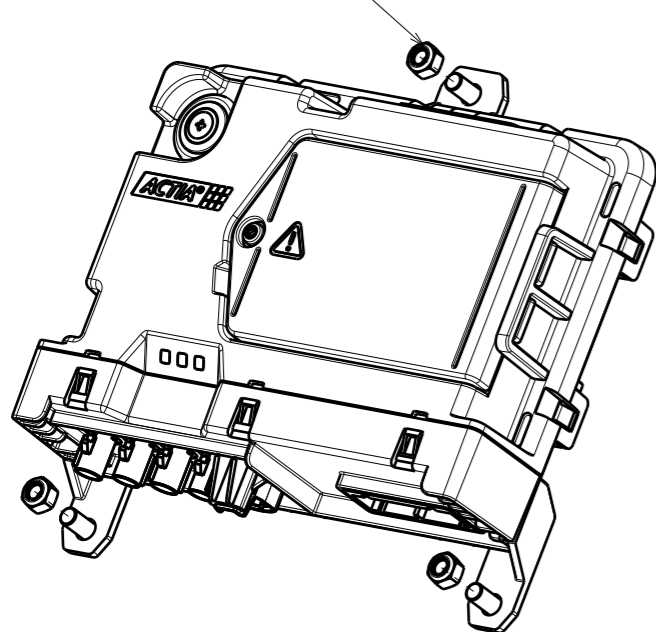


Tightening torque:
6 Nm Max


Vertical



3x M5 Studs and Nuts



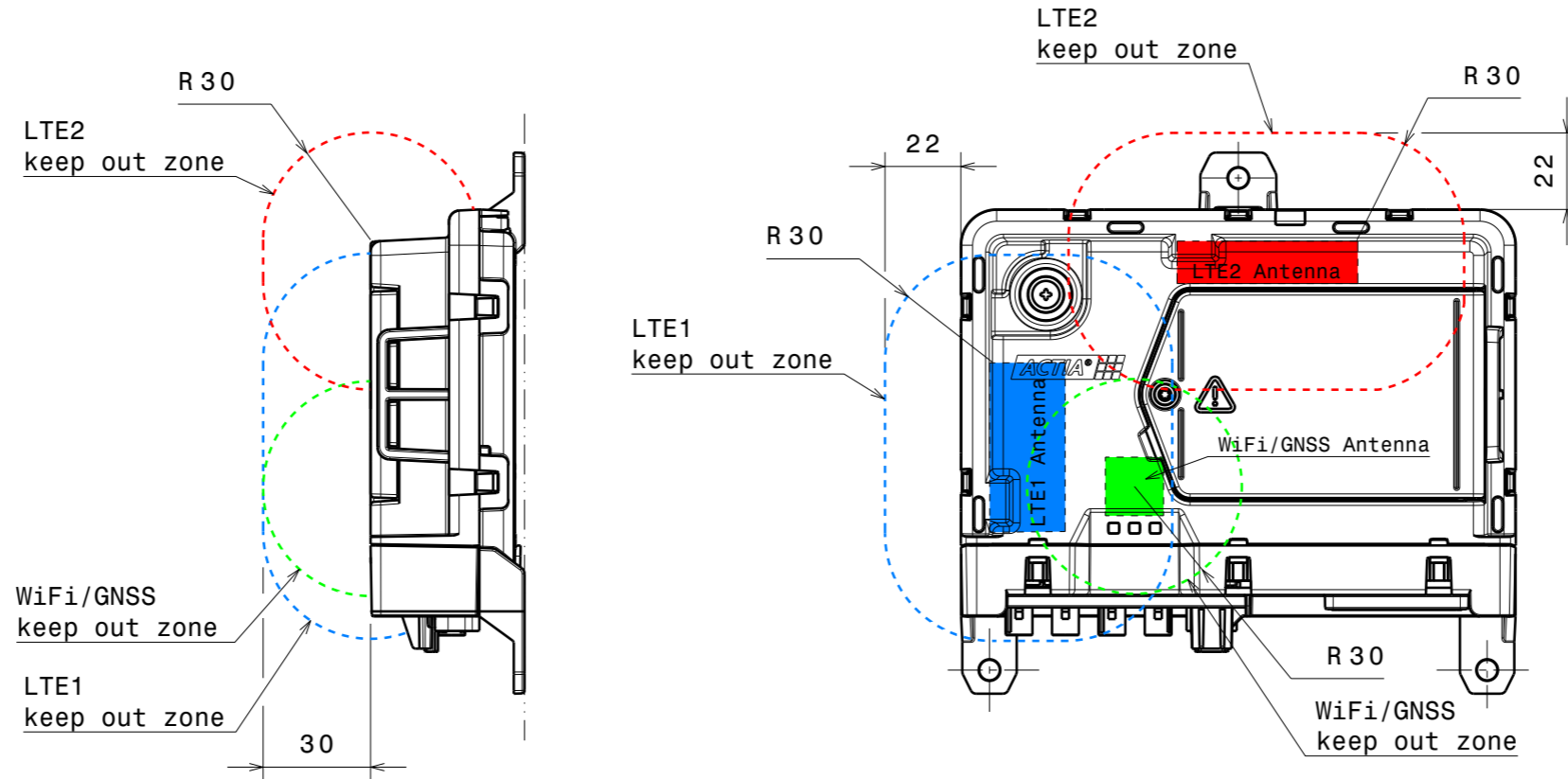
Preferrably place the unit with connectors down as shown for optimal condensation water drainage and minimal risk for water ingress.

<p>This print remains our property based on our capacity of originator and it must neither be copied nor reproduced. It must not be placed at the disposal of any third party. Every illicit use will be prosecuted according to law.</p>				<p>ACTIA Nordic AB (Stockholm) Hammarbacken 4a SE-191 49 SOLLENTUNA www.actia.se</p>	
DRAWN BY		DATE		DRAWING TITLE	
Urban Axelsson		2021-09-15		ACU6-LV1 Interface drawing	
CHECKED BY		DATE		SIZE	DRAWING NUMBER
Tomas Westlund		2021-09-15		A3	1033-010-00
TOLERANCE		CUSTOMER		SCALE	WEIGHT(kg)
-		-		1:2	See notes
				SHEET	5/6
				REV	2.0

REV	DATE	DESCRIPTION	INIT
-----	------	-------------	------


See sheet 1

Antenna keep out zones



The picture above shows approximate positions of the internal antennas.

To get optimal antenna performance it's important to place the unit away from surrounding structures, especially from metal objects. Try to keep minimum 30 mm distance to relevant antennas as shown.

<p>This print remains our property based on our capacity of originator and it must neither be copied nor reproduced. It must not be placed at the disposal of any third party. Every illicit use will be prosecuted according to law.</p>				<p>ACTIA Nordic AB (Stockholm) Hammarbacken 4a SE-191 49 SOLLENTUNA www.actia.se</p>	
DRAWING TITLE		ACU6-LV1 Interface drawing			
DRAWN BY	DATE	SIZE	DRAWING NUMBER	REV	
Urban Axelsson	2021-09-15	A3	1033-010-00	2.0	
CHECKED BY	DATE	SCALE	WEIGHT(kg)	See notes	SHEET
Tomas Westlund	2021-09-15	1:2			6/6
TOLERANCE	CUSTOMER				
-	-				