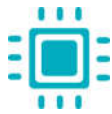


AUTOMATE™

AX30/AX50 EXTERNAL SHADE MOTOR



433 MHZ
BI-DIRECTIONAL



ELECTRONIC
LIMIT



FAVORITE
POSITION



IMPACT
DETECTION

AUTOMATE | AX30/AX50 External Shade Motor combine the simple, intuitive features of ARC “Automate Radio Communication” with the higher lifting capacity of an AC motor for larger shade applications.

CONTENTS

1	ASSEMBLY	6
2	WIRING	7
2.1	EU/AU Motor	7
2.2	US Motor	7
3	P1 BUTTON FUNCTIONS	8
3.1	Motor state test	8
3.2	Motor configuration options	8
4	NON-CASSETTE OPEN MODE	9
4.1	Initial Setup	9
4.1.1	Pair motor with controller	9
4.1.2	Check motor direction	9
4.2	Set Limits	10
4.3	Adjust Upper Limit	10
4.4	Adjust lower limit	11
4.5	Delete Upper/Lower Limits	11
5	CASSETTE MODE	12
5.1	Initial Setup	12
5.1.1	Pair motor with controller	12
5.1.2	Check motor direction	12
5.2	Select Motor Mode	13
5.3	Set Limits	13
5.4	Delete Upper/Lower Limits	14
5.4.1	Activate/Deactivate Upper Limit Fabric Tension	14
5.4.2	Activate/Deactivate Lower limit Fabric Tension	15
6	VERTICAL DROP MODE	16
6.1	Initial Setup	16
6.1.1	Pair motor with controller	16
6.1.2	Check motor direction	16
6.2	Select Motor Mode	17
6.3	Set Limits	17
6.3.1	Adjust upper limit	18
6.3.2	Adjust lower limit	18
6.3.3	Delete Upper/Lower Limits	19
6.4	Impact Detection (Only available with Zipscreen)	19

CONTENTS

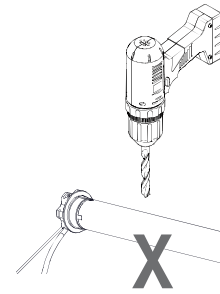
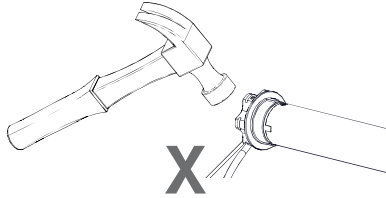
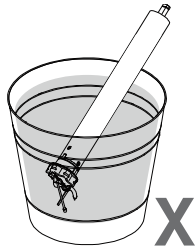
6.4.1 Active/Deactivate Impact Detection Mode	20
7 ADD CONTROLLER AND CHANNEL	21
7.1 Using P2 Button on existing controller to add a new controller or channel	21
7.2 Using a pre-existing controller to add or delete a controller or channel	21
8 FAVORITE POSITIONING	22
8.1 Set a favorite position	22
8.2 Send shade to favorite position	22
8.3 Delete favorite position	22
9 SLEEP MODE	23
10 WIND SENSOR FUNCTION	23
10.1 Wind Sensor Prioritize Function	23
11 TROUBLE SHOOTING	24

SAFETY INSTRUCTIONS

WARNING: Important safety instructions to be read before installation.

Incorrect installation can lead to serious injury and will void manufacturer's liability and warranty.

It is important for the safety of persons to follow the enclosed instructions. Save these instructions for future reference



- Do not expose to water, moisture, humid and damp environments or extreme temperatures
- Persons (including children) with reduced physical, sensory or mental capabilities, or lack of experience and knowledge should not be allowed to use this product.
- Keep away from children.
- Use or modification outside the scope of this instruction manual will void warranty.
- Installation and programming to be performed by a suitably qualified installer.
- For use with motorized shading devices.
- Ensure correct crown and drive adapters are used for the intended system.
- Keep antenna straight and clear from metal objects
- Do not cut the antenna.
- Follow Rollease Acmeda installation instructions.
- Before installation, remove any unnecessary cords and disable any equipment not needed for powered operation.
- Ensure torque and operating time is compatible with end application.
- Motor is to be installed in horizontal application only.
- The routing of cable through walls shall be protected by isolating bushes or grommets.
- Ensure power cable and aerial is clear and protected from moving parts.
- If cable or power connector is damaged do not use.
- Route motor cable to create a drip loop
- Frequently inspect for improper operation. Do not use if repair or adjustment is necessary.
- Keep motor away from acid and alkali.
- Do not force the motor drive.
- Keep clear when in operation.

Rollease Acmeda declares this equipment is in compliance with the essential requirements and other relevant provisions of R&TT EC Directive 1999/5/EC

SAFETY INSTRUCTIONS

Statement Regarding FCC Compliance

This device complies with Part 15 of the FCC Rules. Operation is subject to the following two conditions:

- (1) This device may not cause harmful interference, and
- (2) This device must accept any interference received, including interference that may cause undesired operation.

Note:

This equipment has been tested and found to comply with the limits for a Class B digital device, pursuant to Part 15 of the FCC Rules. These limits are designed to provide reasonable protection against harmful interference in a residential installation. This equipment generates, uses and can radiate radio frequency energy and, if not installed and used in accordance with the instructions, may cause harmful interference to radio communications. However, there is no guarantee that interference will not occur in a particular installation. If this equipment does cause harmful interference to radio or television reception, which can be determined by turning the equipment off and on, the user is encouraged to try to correct the interference by one or more of the following measures:

- Reorient or relocate the receiving antenna.
- Increase the separation between the equipment and receiver.
- Connect the equipment into an outlet on a circuit different from that to which the receiver is connected.
- Consult the dealer or an experienced radio/TV technician for help.

Any changes or modifications not expressly approved by the party responsible for compliance could void the user's authority to operate the equipment.

Statement Regarding IC Compliance

1. This device complies with Industry Canada RSS standard(s). Operation is subject to the following two conditions: (1) this device may not cause interference, and (2) this device must accept any interference, including interference that may cause undesired operation of the device.

2. Changes or modifications not expressly approved by the party responsible for compliance could void the user's authority to operate the equipment.

-French:

Le présent appareil est conforme aux CNR d'Industrie Canada applicable aux appareils radio

Exempt de licence. L'exploitation est autorisée aux deux conditions suivantes :

(1) l'appareil ne doit pas produire de brouillage, et (2) l'utilisateur de l'appareil doit accepter tout brouillage radioélectrique subi, même si le brouillage est susceptible d'en compromettre le fonctionnement."

CAN ICES-3 (B)/NMB-3(B)



Do not dispose of in general waste.
Please recycle batteries and damaged
electrical products appropriately.



1 ASSEMBLY

Please refer to Rollease Acmeda System Assembly Manual for full assembly instructions relevant to the hardware system being used, including recommended crown, drive and bracket adapter kits.

Step 1. Cut roller tube to required length.

IMPORTANT

Impact detection does not require a 2 piece drive set. The use of a standard 1 part drive adapter is compatible. Zipscreen is needed to let the impact transmit to the top during downward movement. The top tube must be able to freely rotate ~ 5 degrees after installation.

Step 2. Ensure roller tube is clean and free from burrs.

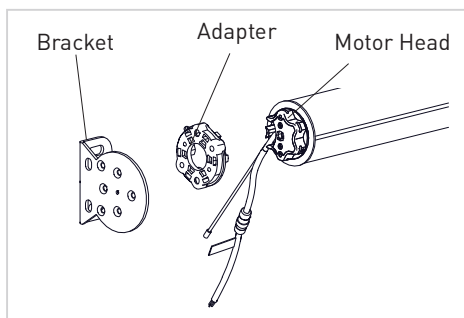
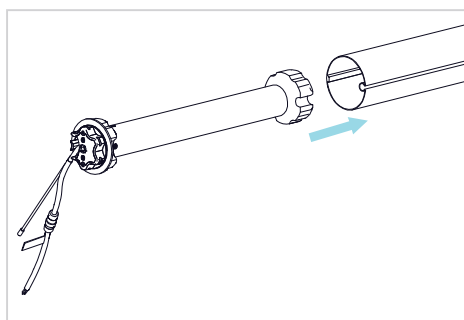
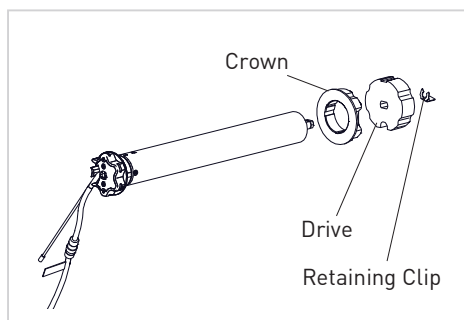
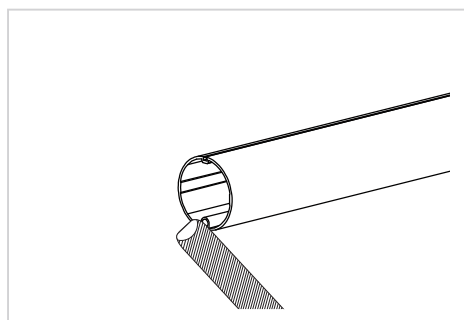
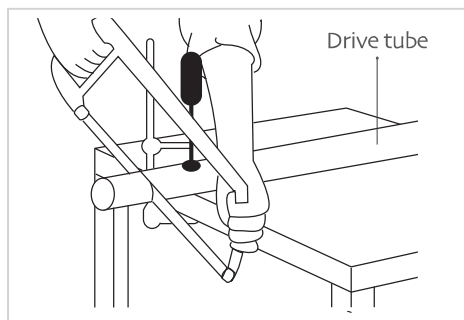
Step 3. Fit required crown, drive and bracket adapters.

Tube must be close fitting with chosen crown and drive adapters.

Step 4. Slide Motor into tube.

Insert by aligning key-way in crown and drive wheel into the tube.

Step 5. Mount motorized tube onto brackets.



2 WIRING

2.1 EU/AU Motor

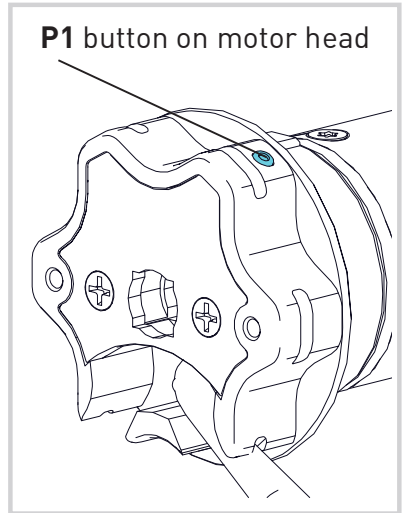
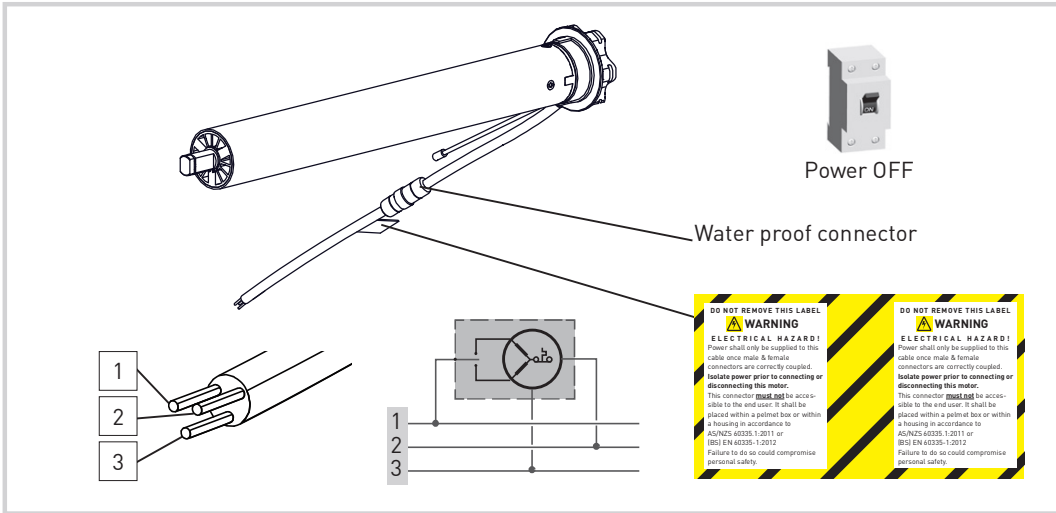
Disconnect the mains power supply.

Connect the motor according to the information in the table below.



Ensure cable is kept clear of fabric.

Ensure antenna is kept straight and away from metal objects.



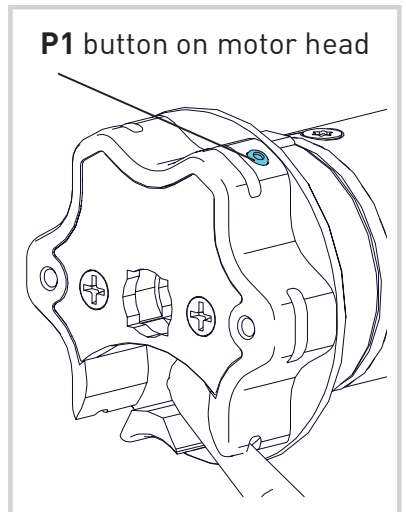
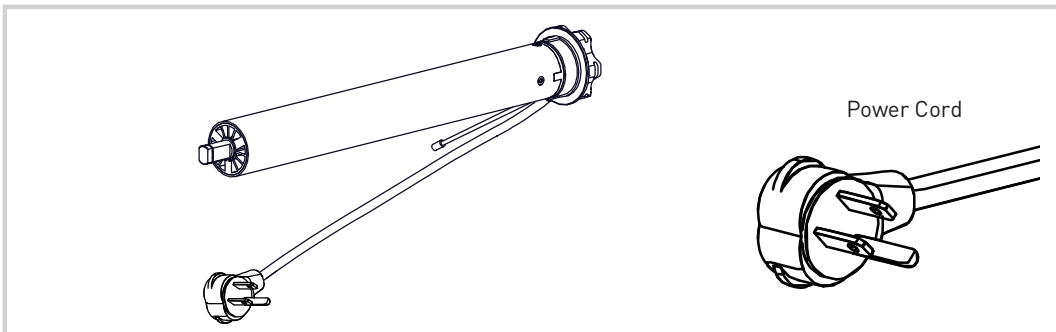
MOTOR	POWER	NEUTRAL	LIVE	EARTH	REGION
MT01-1145-069014	230V AC 50Hz	Blue	Brown	Yellow/Green	EU
MT01-1145-069016					
MT01-1145-069013	240V AC 50Hz				AU
MT01-1145-069015					

2.2 US Motor



Ensure cable is kept clear of fabric.

Ensure antenna is kept straight and away from metal objects.



MOTOR	POWER CORD LENGTH	POWER	NEUTRAL	LIVE	EARTH
MT01-1145-069017	240in. (6096mm)	120V AC 60Hz	White	Black	Green
MT01-1145-069018					

3 P1 BUTTON FUNCTIONS

3.1 Motor state test

This table describes the function of a short **P1** Button press/release (<2 seconds) depending on current motor configuration.

P1 Press	Condition	Function Achieved	Visual Feedback	Audible Feedback	Function Described
	If limit is NOT set	None	No Action	None	No Action
Short Press	If limits are set	Operational control of motor, run to limit. Stop if running	Motor Runs	None	Operational control of motor after pairing and limit setting is completed first time
	If motor is in "Sleep Mode" & limits are set	Wake and control	Motor wakes and runs in a direction	None	Motor is restored from Sleep Mode and RF control is active

3.2 Motor configuration options

The **P1** Button is utilized to administer motor configurations as described below.

Hold **P1** button on motor head.

Activate Pairing Mode



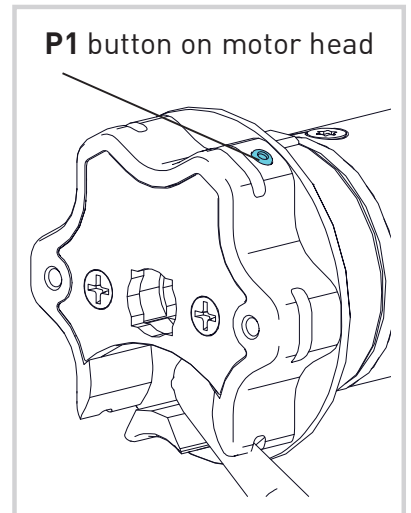
Sleep Mode



Reverse Direction



Reset To Factory Settings



4 NON-CASSETTE OPEN MODE

Note: Ensure Motor is in factory default setting.

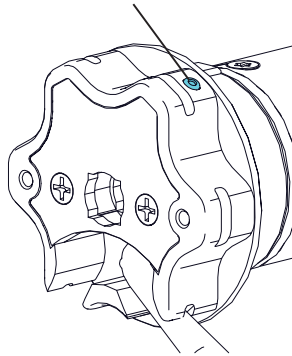
4.1 Initial Setup

4.1.1 Pair motor with controller

Select channel on controller.



Hold **P1** button on motor head.



Hold **STOP** on controller.



IMPORTANT

Consult user manual for your controller for information on selecting channel.

Motor Response



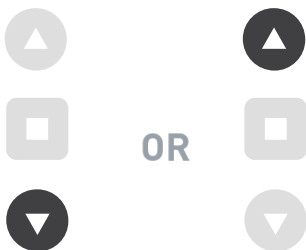
Motor Response



Motor is now in step mode and ready for setting limits

4.1.2 Check motor direction

To check travel direction of shade, press **UP** or **DOWN** on controller.



To reverse shade direction, hold both **UP** and **DOWN**.

Until the motor responds.



Quick Press = Step

Long Press = Continuous Travel

Motor Response



IMPORTANT

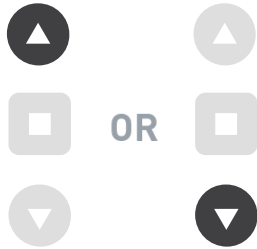
Damage to shade may occur when operating motor prior to setting limits. Attention should be given.

IMPORTANT

Reversing motor direction using this method is only possible during initial set-up

4.2 Set Limits

Move shade to the desired highest or lowest position by pressing the **UP** or **DOWN** buttons on controller.



To save upper limit, hold **UP** and **STOP**.



To save lower limit, hold **DOWN** and **STOP**.



IMPORTANT

Cycle shade up and down prior to setting limits to settle fabric

Motor Response



IMPORTANT

After setting limits, motor will automatically exit from initial set-up mode.

4.3 Adjust Upper Limit

Hold **UP** and **STOP** on controller.



Move shade to the desired highest position by pressing the **UP** button.



To save upper limit, hold **UP** and **STOP**.



Motor Response



Motor Response



4.4 Adjust lower limit

Hold **DOWN** and **STOP** on controller.



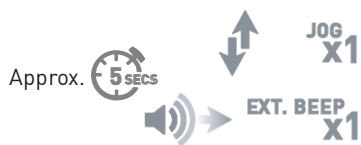
Move shade to the desired lowest position by pressing the **DOWN** button.



To save lower limit, hold **DOWN** and **STOP**.



Motor Response



Motor Response



4.5 Delete Upper/Lower Limits

Press **P2** on controller



Press **DOWN** on controller



Press **P2** on controller



Motor Response



Motor Response



Motor Response



5 CASSETTE MODE

Note: Ensure Motor is in factory default setting.

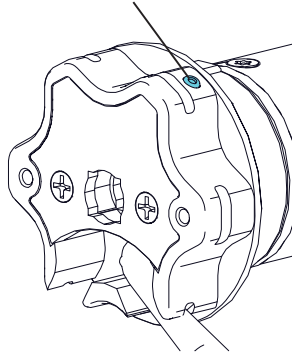
5.1 Initial Setup

5.1.1 Pair motor with controller

Select channel on controller.



Hold **P1** button on motor head.



Hold **STOP** on controller.



IMPORTANT

Consult user manual for your controller for information on selecting channel.

Motor Response



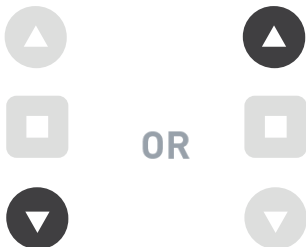
Motor Response



Motor is now in step mode and ready for setting limits

5.1.2 Check motor direction

To check travel direction of shade, press **UP** or **DOWN** on controller.



To reverse shade direction, hold both **UP** and **DOWN**.

Until the motor responds.



Quick Press = Step

Long Press = Continuous Travel

Motor Response



IMPORTANT

Damage to shade may occur when operating motor prior to setting limits. Attention should be given.

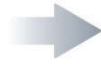
IMPORTANT

Reversing motor direction using this method is only possible during initial set-up

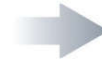
5.2 Select Motor Mode

Now set the motor to cassette mode.

Press **P2** on controller.



Press **UP** on controller.



Press **UP** on controller.



Cassette Mode:

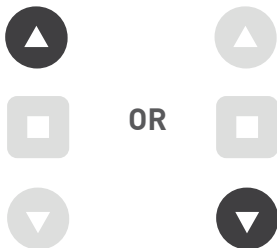
Motor Response



5.3 Set Limits

SET LOWER LIMIT IN CASSETTE MODE

Move shade to the desired lowest position by pressing the **UP** or **DOWN** buttons on controller.



To save lower limit, hold **DOWN** and **STOP**.



Motor Response



SET UPPER LIMIT IN CASSETTE MODE

Move shade to the highest position by pressing the **UP** button on controller. Upper limit will be automatically set when motor stops.*

Note:

*On condition that lower limit has been set prior.

5.4 Delete Upper/Lower Limits

Move shade to Upper/Lower Limits

Press **P2** on controller



Press **DOWN** on controller



Press **P2** on controller



Motor Response



Motor Response



Motor Response



5.4.1 Activate/Deactivate Upper Limit Fabric Tension

Upper limit fabric tension is deactivated by default.

Press **P2** on controller



Press **STOP** on controller



Press **UP** on controller



Motor Response



Motor Response



ACTIVATE:

Motor Response



DEACTIVATE:



5.4.2 Activate/Deactivate Lower limit Fabric Tension

Lower limit fabric tension is deactivated by default.

Press **P2** on controller



Press **STOP** on controller



Press **DOWN** on controller



Motor Response



Motor Response



Motor Response



DEACTIVATE:



6 VERTICAL DROP MODE

Note: Ensure Motor is in factory default setting.

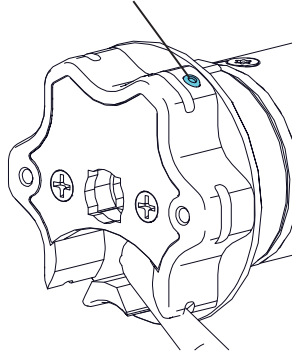
6.1 Initial Setup

6.1.1 Pair motor with controller

Select channel on controller.



Hold **P1** button on motor head.



Hold **STOP** on controller.



IMPORTANT

Consult user manual for your controller for information on selecting channel.

Motor Response



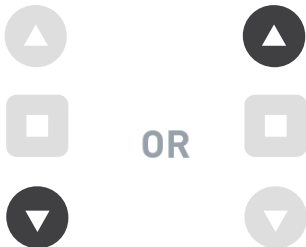
Motor Response



Motor is now in step mode and ready for setting limits

6.1.2 Check motor direction

To check travel direction of shade, press **UP** or **DOWN** on controller.



To reverse shade direction, hold both **UP** and **DOWN**.

Until the motor responds.



Quick Press = Step

Long Press = Continuous Travel

Motor Response



IMPORTANT

Damage to shade may occur when operating motor prior to setting limits. Attention should be given.

IMPORTANT

Reversing motor direction using this method is only possible during initial set-up

6.2 Select Motor Mode

Now set vertical drop mode.

Press **P2** on controller.



Press **UP** on controller.



Press **UP** on controller.



Perform sequence **2** Times - Motor will Jog/Beep at the end of each sequence.

Vertical Drop Mode:

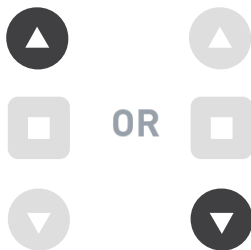
Motor Response at the end of x2 sequence



6.3 Set Limits

For Ultralock application, see Zipscreen Manual for further info

Move shade to the desired highest or lowest position by pressing the **UP** or **DOWN** buttons on controller.



To save upper limit, hold **UP** and **STOP**.



To save lower limit, hold **DOWN** and **STOP**.



IMPORTANT

Cycle shade up and down prior to setting limits to settle fabric

Motor Response



IMPORTANT

After setting limits, motor will automatically exit from initial set-up mode.

6.3.1 Adjust upper limit

Hold **UP** and **STOP** on controller.



Move shade to the desired highest position by pressing the **UP** button.



To save upper limit, hold **UP** and **STOP**.



Motor Response



Motor Response



6.3.2 Adjust lower limit

Hold **DOWN** and **STOP** on controller.



Move shade to the desired lowest position by pressing the **DOWN** button.



To save lower limit, hold **DOWN** and **STOP**.



Motor Response

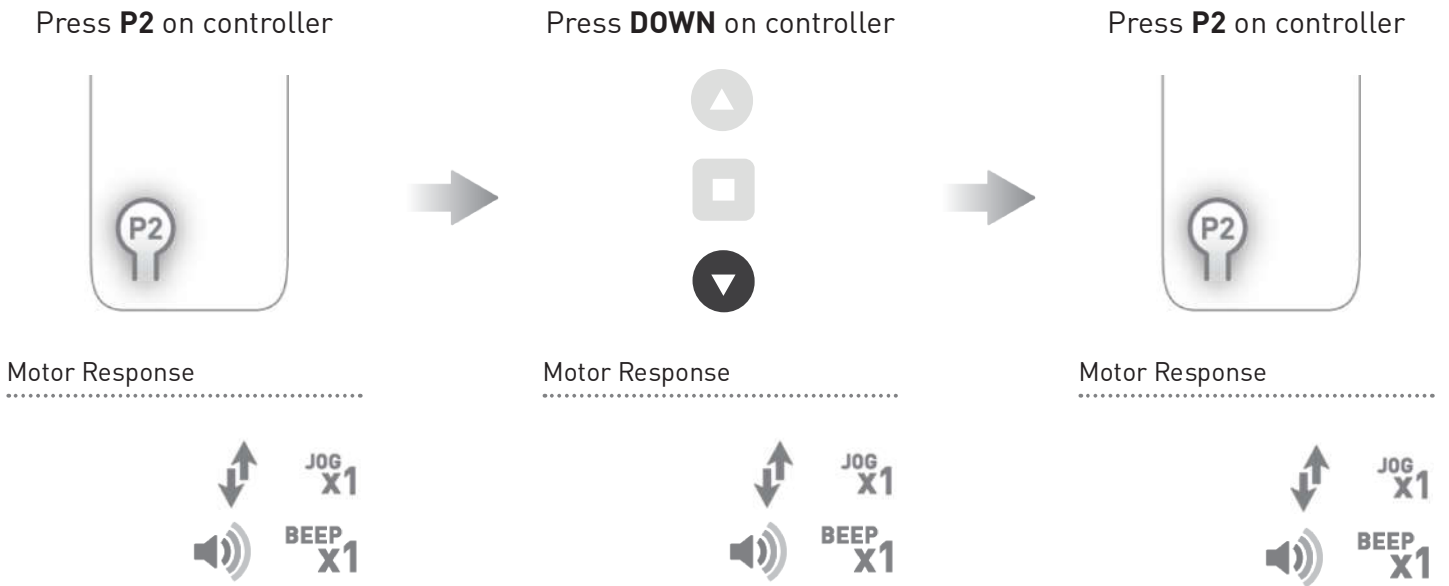


Motor Response



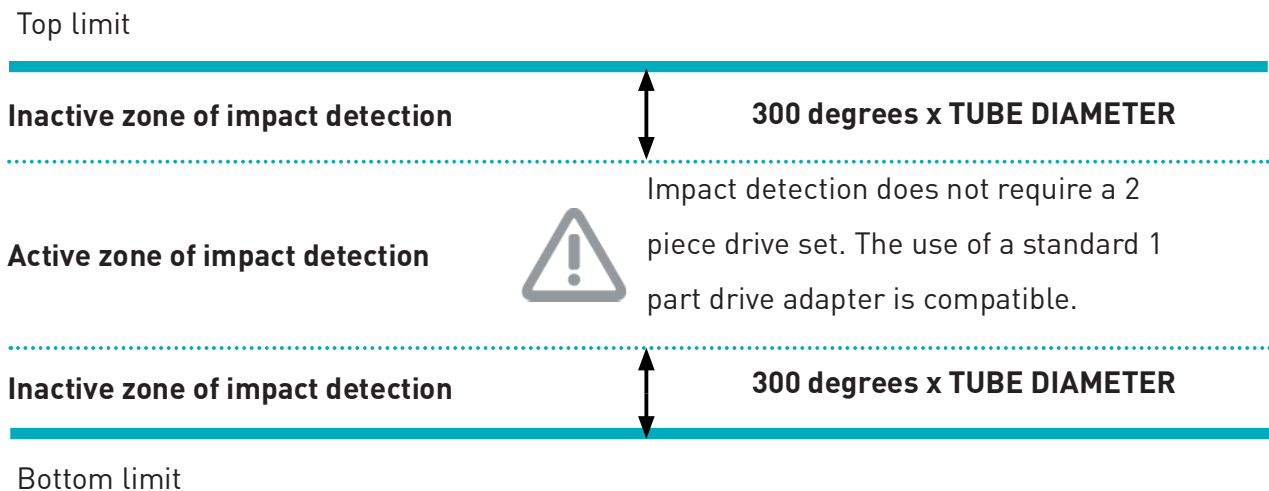
6.3.3 Delete Upper/Lower Limits

Move shade to Upper/Lower Limits.



6.4 Impact Detection (Only available with Zipscreen)

Impact detection may be activated only in Vertical Drop mode. If an obstacle is detected twice in the shade path during downwards movement, the motor lifts the shade up ~ 7.87in. (20cm).



6.4.1 Active/Deactivate Impact Detection Mode

The Impact Detection feature only works in the active zone during downward movement.

This impact detection feature is deactivated by default.

Repeat sequence to turn on or off as required.

Press **P2** on controller.



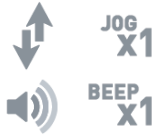
Press **DOWN** on controller.



Press **DOWN** on controller.



Motor Response



Motor Response



Impact Detection ON

Motor Response



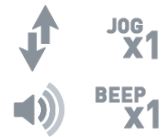
IMPORTANT

Impact detection does not require a 2 piece drive set. The use of a standard 1 part drive adapter is compatible.

The top tube must be able to freely rotate ~ 5 degrees after installation. Zipscreen is needed to let the impact transmit to the top during downward movement.

Impact Detection OFF

Motor Response



7 ADD CONTROLLER AND CHANNEL

7.1 Using P2 Button on existing controller to add a new controller or channel

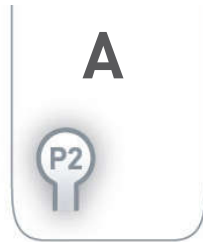
A = Existing controller or channel (to keep)

B = Controller or channel to add or remove

Press **P2** on controller **A**.



Press **P2** on controller **A**.



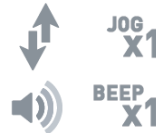
Press **STOP** on a new controller to add it.



Motor Response



Motor Response



Motor Response



IMPORTANT Consult user manual for your controller or sensor

7.2 Using a pre-existing controller to add or delete a controller or channel

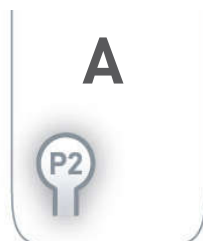
A = Existing controller or channel (to keep)

B = Controller or channel to add or remove

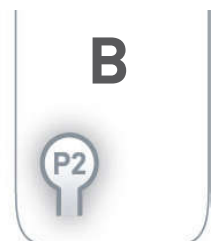
Press **P2** on controller **A**.



Press **P2** on controller **A**.



Press **P2** on the controller **B** to remove it.



Motor Response



Motor Response



Motor Response

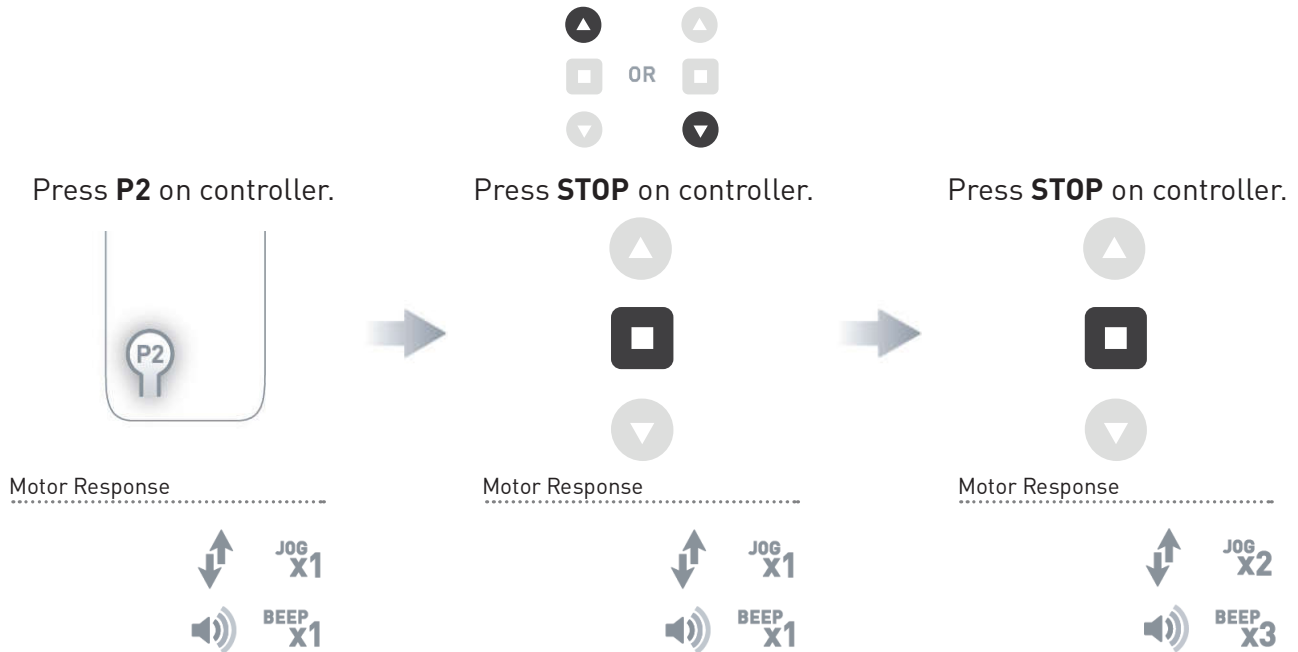


IMPORTANT Consult user manual for your controller or sensor

8 FAVORITE POSITIONING

8.1 Set a favorite position

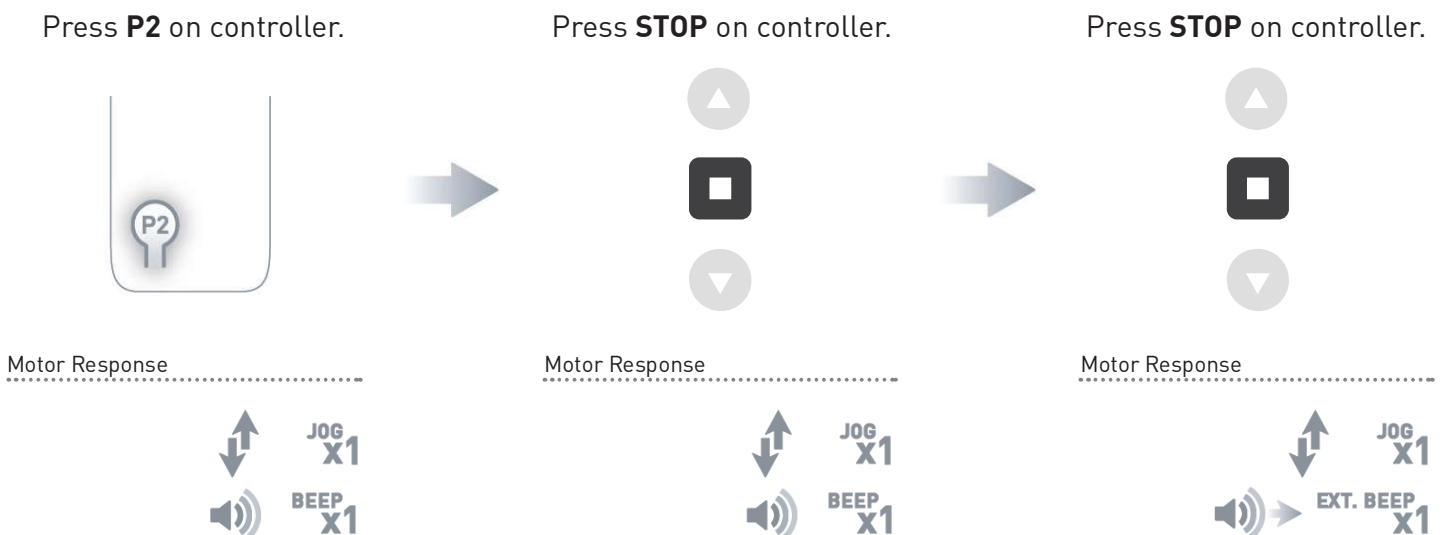
Move shade to the desired position by pressing the **UP** or **DOWN** button on the controller.



8.2 Send shade to favorite position



8.3 Delete favorite position



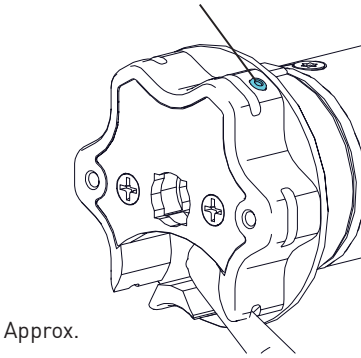
9 SLEEP MODE

If multiple motors are grouped on a single channel, Sleep Mode may be used to put all but 1 motor to sleep, allowing programming of just the one motor that remains "Awake".

Enter Sleep Mode

Sleep mode is utilized to prevent a motor from incorrect configuration during other motor setup.

Hold **P1** button on motor head.



Approx.

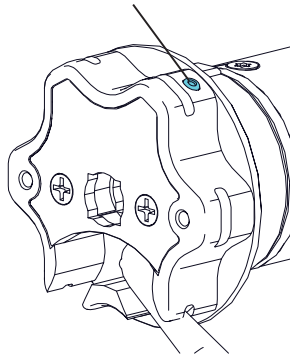
Motor Response



Exit Sleep Mode: Method 1

Exit sleep mode once the shade is ready.

Press and release **P1** button on the motor head



Exit Sleep Mode: Method 2

Remove power and then re-power the motor.

10 WIND SENSOR FUNCTION

10.1 Wind Sensor Prioritize Function

Once the motor receives a command from the wind sensor the motor will respond accordingly. At this point the motor will ignore any other remote or sensor commands for 8 minutes. This function is needed to avoid contradicting multiple triggers. Keep this in mind when testing the motor with the remote after the wind sensor has been triggered. The wind sensor function is ON by default.

Note: Motor will jog to alert user if operated within the 8 minutes.

11 TROUBLE SHOOTING

Problem	Cause	Remedy
Motor is not responding	A/C power supply not plugged in.	Check motor to power cable connection and AC plug
	Transmitter battery is discharged	Replace battery
	Radio interference/shielding	Ensure transmitter is positioned away from metal objects and the aerial on motor or receiver is kept straight and away from metal
	Receiver distance is too far from transmitter	Move transmitter to a closer position
	Power failure	Check power supply to motor is connected and active
	Incorrect wiring	Check that wiring is connected correctly (refer to motor installation instructions)
Cannot program a single Motor (multiple motors respond)	Multiple motors are paired to the same channel	Always reserve an individual channel for programming functions
		SYSTEM BEST PRACTICE - Provide an extra 15 channel controller in your multi-motor projects, that provides individual control for each motor for programming purposes
		Place all other motors into sleep mode (refer to P1 button function overview - Section 3)